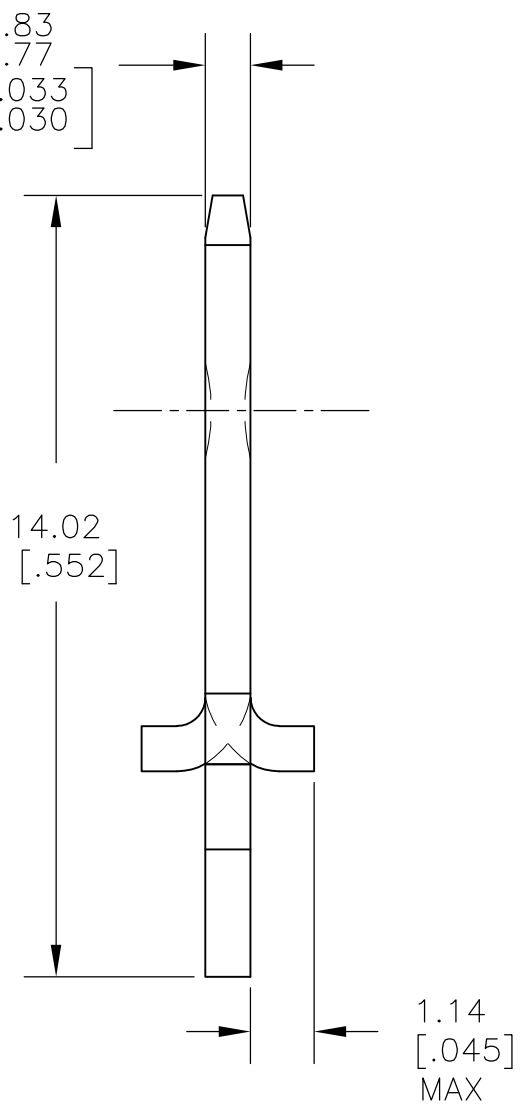
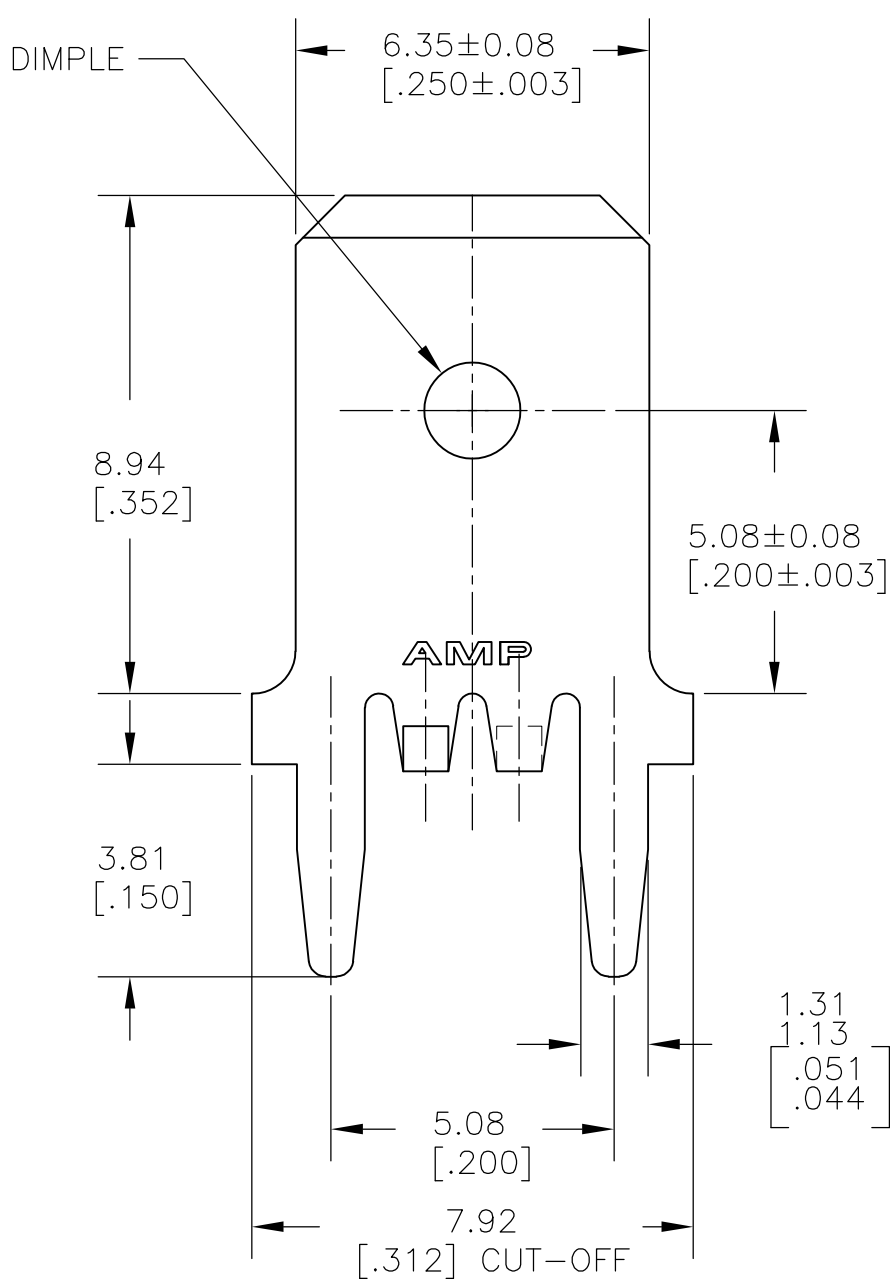
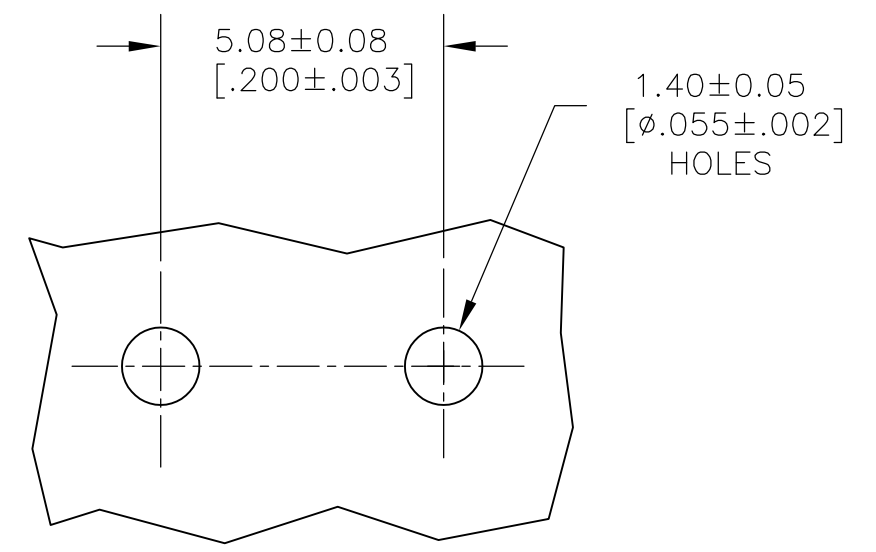


LOC	DIST	REVISIONS					
AF	50	P	LTR	DESCRIPTION	DATE	DWN	APVD
		G		REVISED PER ECR-13-001204	03JUL13	KH	PD



- 1 CONTINUOUS STRIP ON REELS.
- 2 TIN PLATE 0.00381 [.000150] MIN OVER 0.00254 [.000100] MIN THK COPPER.



P.C. BOARD HOLE PATTERN

1217861-1
PART NO.

THIS DRAWING IS A CONTROLLED DOCUMENT.		DWN	JR RUTH	24JUL02	TE Connectivity NAME TAB, FASTON, P.C.BOARD 6.35 [.250]	
DIMENSIONS: mm [INCHES]		CHK	MS FEHER	24JUL02		
		APVD	N DEIBERT	24JUL02		
TOLERANCES UNLESS OTHERWISE SPECIFIED: 0 PLC ± - 1 PLC ± - 2 PLC ± 0.25 [.010] 3 PLC ± - 4 PLC ± - ANGLES ± -		PRODUCT SPEC	-	-		
MATERIAL	BRASS	FINISH			APPLICATION SPEC	114-2115
		WEIGHT	-		SIZE	A3
		CUSTOMER DRAWING			CAGE CODE	00779
					DRAWING NO	C-1217861
					RESTRICTED TO	-
					SCALE	8:1
					SHEET	1 OF 1
					REV	G