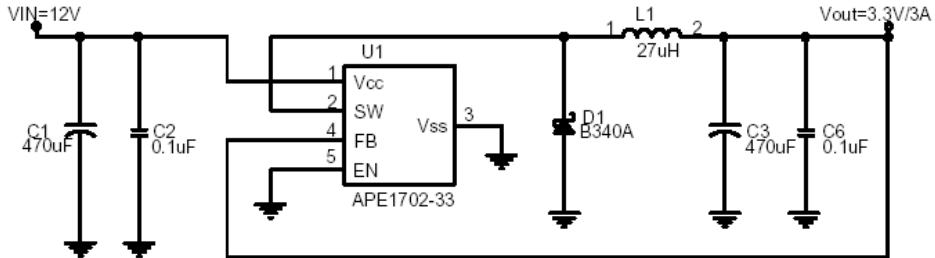




TYPICAL APPLICATION

3. FIXED OUTPUT VOLTAGE VERSION



ORDERING INFORMATION

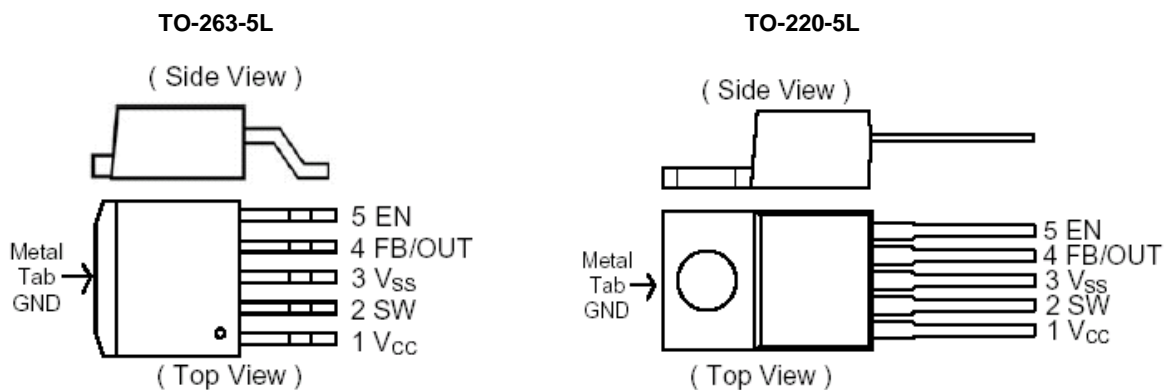
ORDER INFORMATION	
APE1702X-XX	
PACKAGE TYPE	OUTPUT VOLTAGE
S : TO-263-5L	33 : 3.3V
P : TO-220-5L	50 : 5.0V
	12 : 12V
	Blank : ADJ

ABSOLUTE MAXIMUM RATINGS (at $T_A=25^{\circ}\text{C}$)

Maximum Supply Voltage(V_{CC})	+24V
ON/OFF PIN Input Voltage(V_{EN})	-0.3V to V_{CC}
Feedback PIN Voltage(V_{FB})	-0.3V to 16V
Output Voltage to Ground(V_{OUT})	-0.7 to 24V
Power Dissipation(PD)	$(T_J-T_A)/R_{thJA}$
Storage Temperature Range(T_{ST})	-65°C To 150°C
Operating Temperature Range(TOP)	-40°C To 125°C
Operating Supply Voltage(V_{OP})	+4.5V to +22V
Thermal Resistance from Junction to Case(R_{thJC})	3.5°C/W
Thermal Resistance from Junction to Ambient(R_{thJA})	20°C/W

Note. R_{thJA} is measured with the PCB copper area(need connect to Metal tab) of approx. 3 in² (multi-layers)

PACKAGE INFORMATION



ELECTRICAL SPECIFICATIONS

($V_{IN}=12\text{V}$, $T_A=25^{\circ}\text{C}$, unless otherwise specified)

Parameter	SYM	TEST CONDITION	MIN	TYP	MAX	UNITS
Quiescent Current	I_{CCQ}	$V_{FB}=12\text{V}$ force driver off	-	4	8	mA
Feedback Bias Current	I_{FB}	$V_{FB}=1.3\text{V}$ (ADJ Version Only)	-	-10	-50.0	nA
			-	-10	-100.0	
Shutdown Supply Current	I_{SD}	$V_{EN}=5\text{V}$ $V_{CC}=22\text{V}$	-	35	100	uA
			-	35	100	
Current Limit	I_{CL}	Peak Current, No outside circuit $V_{FB}=0\text{V}$ force driver on	3.3	-	-	A
Max. Duty Cycle (ON)	DC	$V_{FB}=0\text{V}$ force driver on	-	100	-	%
Min. Duty Cycle (OFF)		$V_{FB}=12\text{V}$ force driver off	-	0	-	%
Oscillation Frequency	F_{OSC}		127	150	173	KHz
			110	-	173	
Oscillation Frequency of Short Circuit Protect	F_{SCP}	(Adjustable) When $V_{FB} < 0.5\text{V}$	-	60	-	KHz
		(Fixed) When $< V_{OUT} \times 40\%$				KHz
Saturation Voltage	V_{SAT}	$I_{OUT}=2\text{A}$, No outside circuit	-	1.3	1.5	V
		$V_{FB}=0\text{V}$ force driver on			1.6	



ELECTRICAL SPECIFICATIONS(Cont.)

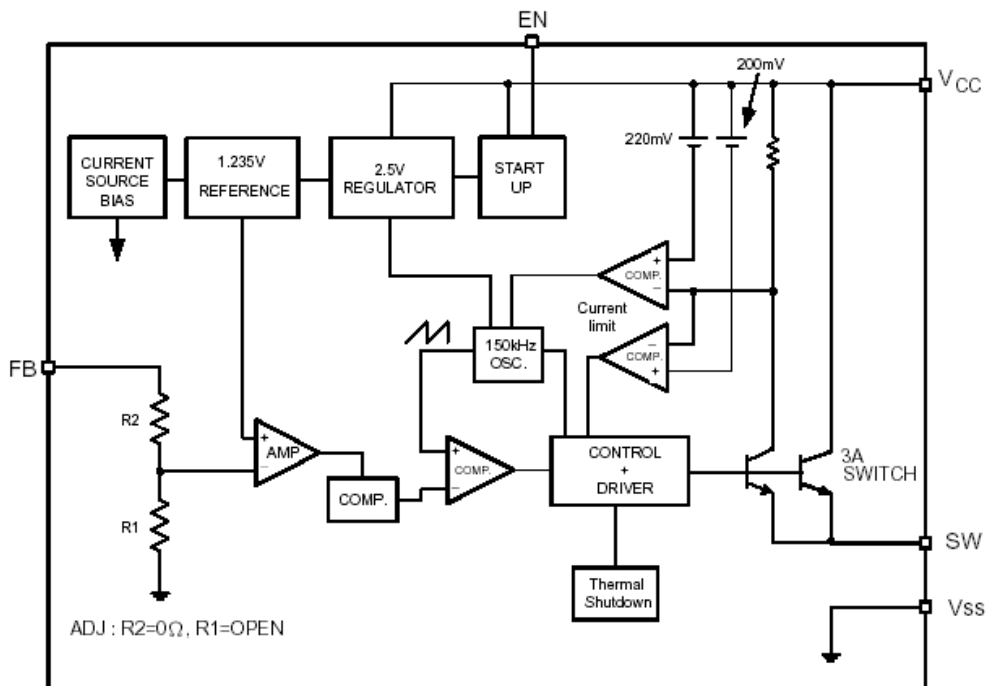
Parameter	SYM	TEST CONDITION	MIN	TYP	MAX	UNITS
EN PIN Logic Input Threshold Voltage	V_{IH}	High (regulator ON)	2	1.3	-	V
	V_{IL}	Low (regulator OFF)	-		0.6	V
EN PIN Input Current	I_{SH}	$V_{EN}=2.5V(OFF)$	-	-0.1	-0.5	uA
	I_{SL}	$V_{EN}=0.5V(ON)$	-	-	-0.01	uA
SW PIN=0V	SW PIN Leakage Current	I_{SWL} No outside circuit $V_{FB}=12V$ force driver on $V_{CC}=22V$ force driver off	-	-	-200	uA
SW PIN=-0.8V			-	-5	-	mA
Thermal Shutdown Temp.	TSD		-	135	-	°C

Version	Characteristics	Symbol	Conditions	MIN	TYP	MAX	UNITS
APE1702-ADJ	Output Feedback Voltage	V_{FB}	$4.5V < V_{CC} < 22V$ $0.2A < I_{LOAD} < 3A$ VOUT programmed for 3.3V	1.193/ 1.180	1.23	1.267/ 1.280	V
	Efficiency	η	$V_{CC}=12V, I_{LOAD}=3A$	-	74	-	%
APE1702-3.3V	Output Voltage	V_{OUT}	$4.75V < V_{CC} < 22V$ $0.2A < I_{LOAD} < 3A$	3.168/ 3.135	3.3	3.432/ 3.465	V
	Efficiency	η	$V_{CC}=12V, I_{LOAD}=3A$	-	75	-	%
APE1702-5.0V	Output Voltage	V_{OUT}	$7V < V_{CC} < 22V$ $0.2A < I_{LOAD} < 3A$	4.80/ 4.75	5.0	5.20/ 5.25	V
	Efficiency	η	$V_{CC}=12V, I_{LOAD}=3A$	-	80	-	%
APE1702-12V	Output Voltage	V_{OUT}	$15V < V_{CC} < 22V$ $0.2A < I_{LOAD} < 3A$	11.52/ 11.4	12	12.48/ 12.6	V
	Efficiency	η	$V_{CC}=15V, I_{LOAD}=3A$	-	89	-	%

PIN DESCRIPTIONS

PIN SYMBOL	PIN DESCRIPTION
V_{SS}	GND Pin
FB	Control Voltage Feedback Control for ADJ Version
EN	ON/OFF Shutdown
OUT	Output Voltage Feedback Control for Fixed Version
SW	Switching Output
V_{CC}	IC Power Supply Pin

BLOCK DIAGRAM



FUNCTION DESCRIPTION

PIN FUNCTION

VCC

This is positive input supply for the IC switching regulator. A suitable input bypass capacitor must be presented at this pin to minimize voltage transients and to supply the switching currents needed by the regulator.

VSS

Circuit ground.

SW

Internal Switch. The voltage at this pin switches between $(+VCC - VSAT)$ and approximately $-0.5V$, with a duty cycle of approximately $VOUT / VCC$. To minimize coupling to sensitive circuitry, the PC board copper area connected to this pin should be minimized.

FEEDBACK

Senses in the regulated output voltage to complete the feedback loop.



FUNCTION DESCRIPTION

EN

Allows the switching regulator circuit to be shutdown using logic level signals thus dropping the total input supply current to approximately 100uA. Pulling this pin below a threshold voltage of approximately 1.3V turns the regulator on, and pulling this pin above 1.3V (up to a maximum of VCC) shuts the regulator down. If this shutdown feature is not needed, the EN pin can be wired to the ground pin.

THERMAL CONSIDERATIONS

The TO-263-5L package needs a heat sink under most conditions. The size of the heat sink depends on the input voltage, the output voltage, the load current and the ambient temperature. The APE1702 junction temperature rises above ambient temperature for a 2A load and different input and output voltages.

The data for these curves was taken with the APE1702 (TO-263-5L package) operating as a buck-switching regulator in an ambient temperature of 25°C (still air). These temperature increments are all approximate and are affected by many factors. Higher ambient temperatures required more heat sinker.

For the best thermal performance, wide copper traces and generous amounts of printed circuit board copper (need connect to the VSS pins) should be used in the board layout, (One exception is the SW pin, which should not have large areas of copper.) to the surrounding air, and moving air lowers the thermal resistance even further.

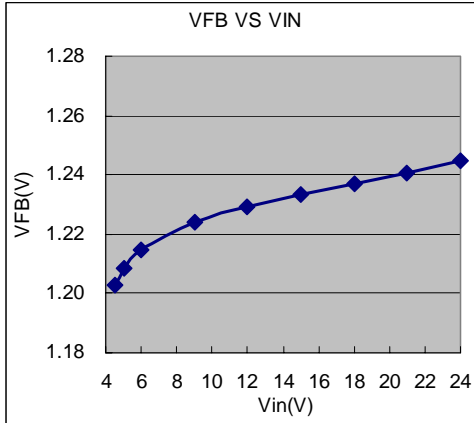
Package thermal resistance and junction temperature increments are all approximate. The increments are affected by a lot of factors. Some of these factors include board size, shape, thickness, position, location, and even board temperature. Other factors are, trace width, total printed circuit copper area, copper thickness, single or double-sided, multi-layer board and the amount of solder on the board.

The effectiveness of the PC board to dissipate heat also depends on the size, quantity and spacing of other components on the board, as well as whether the surrounding air is still or moving. Furthermore, some of these components such as the catch diode will add heat to the PC board and the heat can vary as the input voltage changes. For the inductor, depending on the physical size, type of core material and the DC resistance, it could either act as a heat sink taking heat away from the board, or it could add heat to the board.

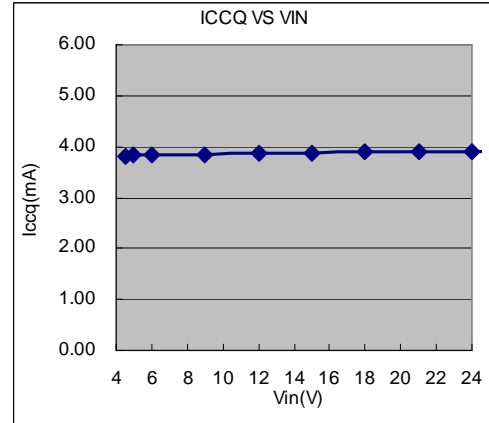


Typical Characteristics

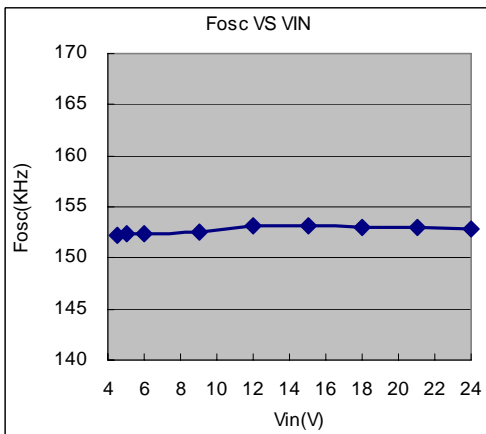
VFB VS VIN



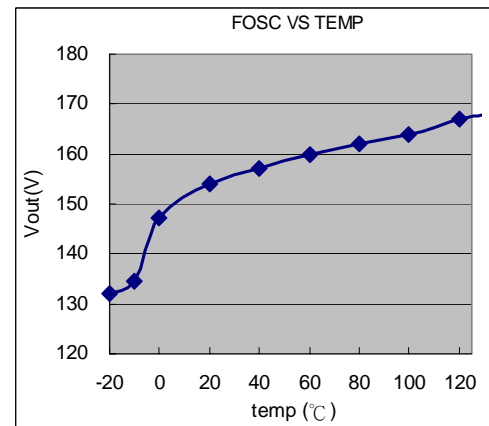
ICCQ VS VIN



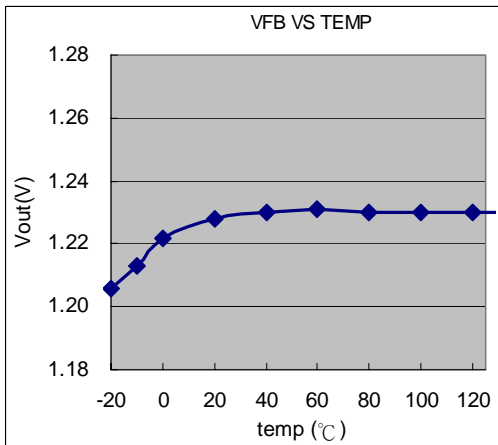
FOSC VS VIN



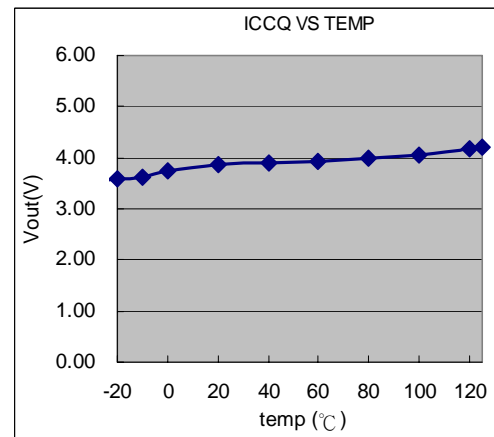
FOSC VS TEMPERATURE



VFB VS TEMPERATURE



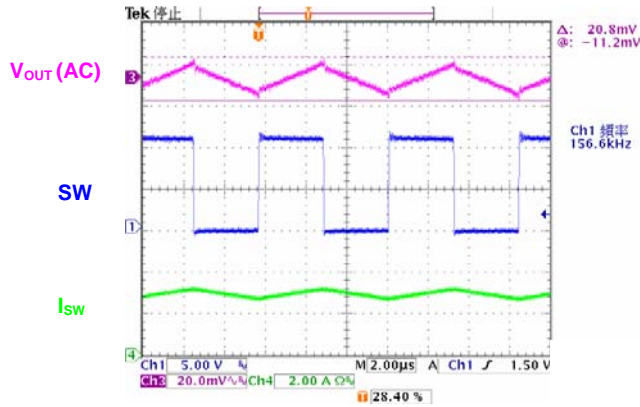
ICCQ VS TEMPERATURE



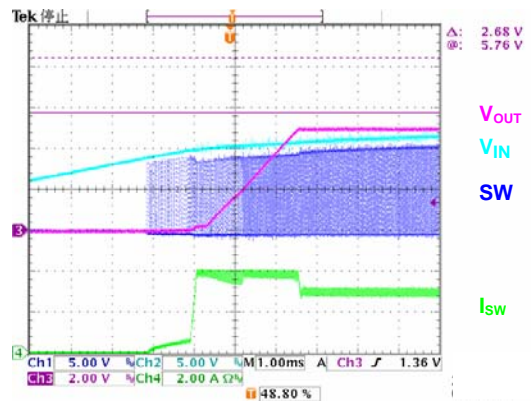


Typical Characteristics

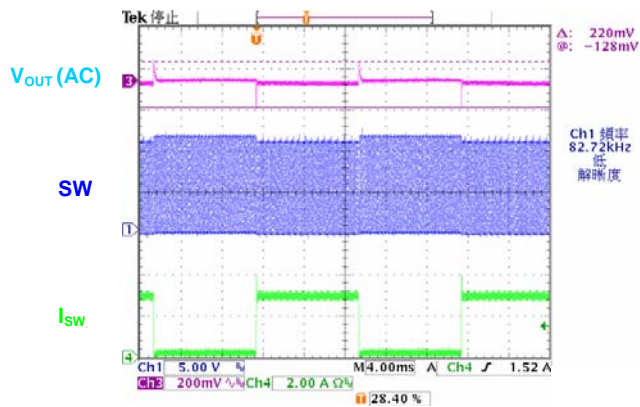
Output Ripple
($V_{IN}=12V, V_{OUT}=5V, I_{OUT}=3A$)



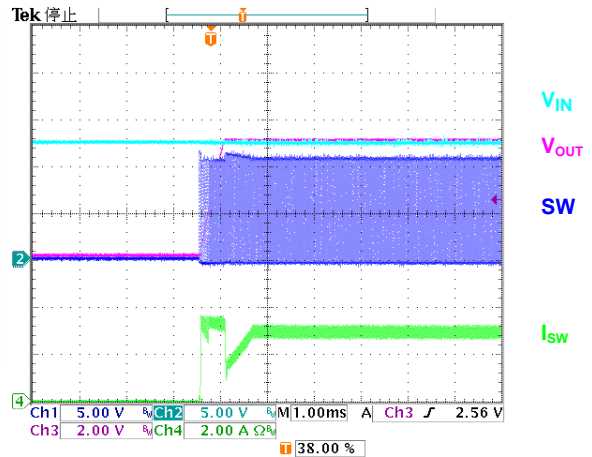
Power on test wave
($V_{IN}=12V, V_{OUT}=5V, I_{OUT}=3A$)



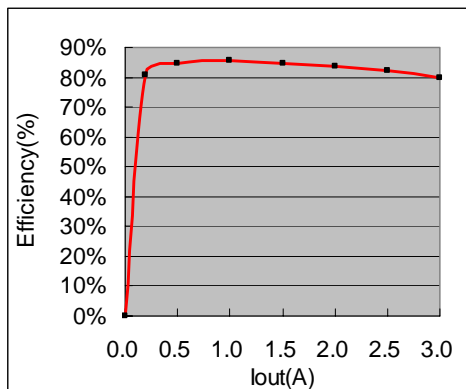
Load Transient Response
($V_{IN}=12V, V_{OUT}=5V, I_{OUT}=0.2\sim 3A$)



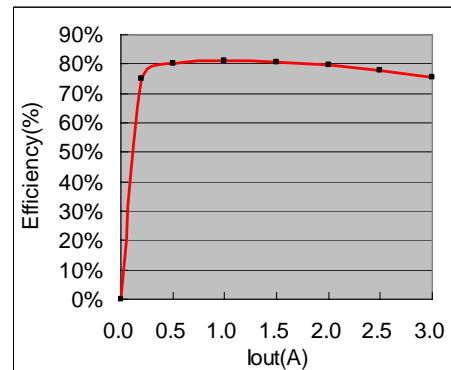
EN on test wave
($V_{IN}=12V, V_{OUT}=5V, I_{OUT}=3A$)



Efficiency
($V_{IN}=12V, V_{OUT}=5.0V$)

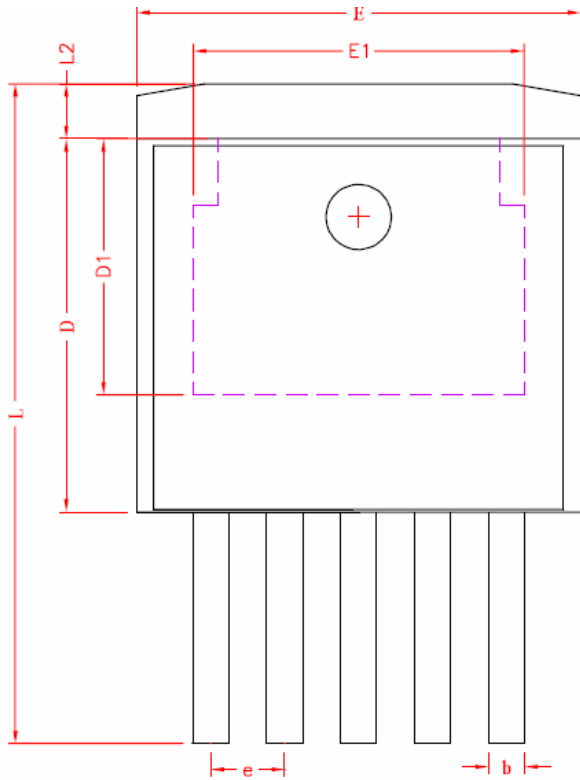


Efficiency
($V_{IN}=12V, V_{OUT}=3.3V$)

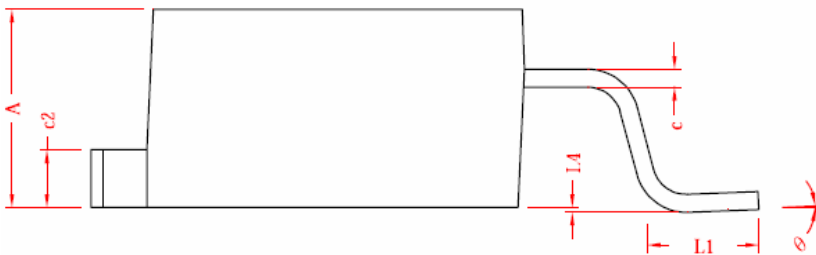




Package Outline : TO-263-5L

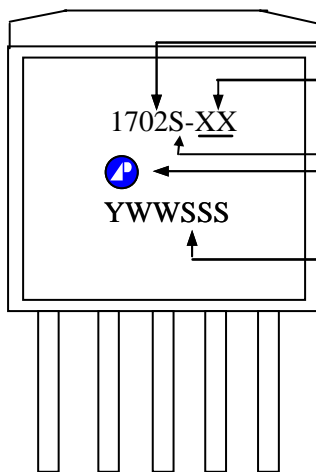


SYMBOLS	Millimeters		
	MIN	NOM	MAX
A	4.40	4.60	4.80
b	0.66	0.79	0.91
L4	0.00	0.15	0.30
c	0.36	0.43	0.50
L1	2.29	2.54	2.79
E	9.80	10.10	10.40
E1	7.60		
c2	1.25	1.35	1.45
L2	1.27		
D	8.60	8.80	9.00
D1	5.90		
e	1.70		
L	14.60	15.20	15.80
θ	0°	4°	8°



- 1.All Dimensions Are in Millimeters.
- 2.Dimension Does Not Include Mold Protrusions.

Part Marking Information & Packing : TO-263-5L



Part Number

Output voltage

1702S-XX

LOGO

Package Code

YWWSSS

Date Code (YWWSSS)

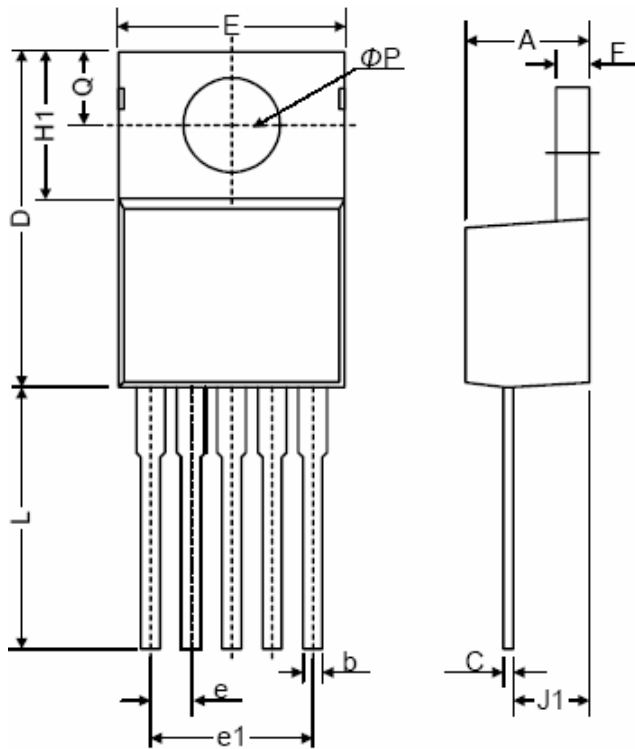
Y : Last Digit Of The Year

WW : Week

SSS : Sequence



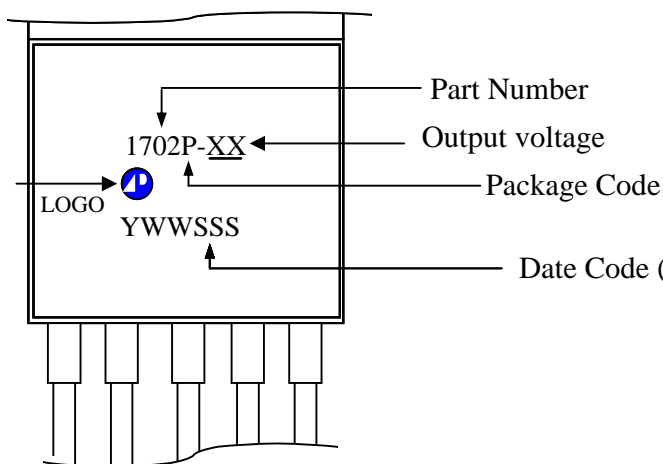
Package Outline : TO-220-5L



SYMBOLS	Millimeters		
	MIN	NOM	MAX
A	4.07	4.45	4.82
b	0.76	0.89	1.02
C	0.36	0.50	0.64
D	14.22	14.86	15.50
E	9.78	10.16	10.54
e	1.57	1.71	1.85
e1	6.68	6.81	6.93
F	1.14	1.27	1.40
H1	5.46	6.16	6.86
J1	2.29	2.74	3.18
L	13.21	13.97	14.73
ϕp	3.68	3.81	3.94
Q	2.54	2.73	2.92

1. All Dimensions Are in Millimeters.
2. Dimension Does Not Include Mold Protrusions.

Part Marking Information & Packing : TO-220-5L



Y : Last Digit Of The Year
 WW : Week
 SSS : Sequence