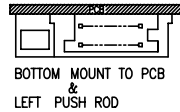
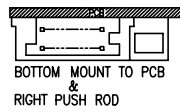
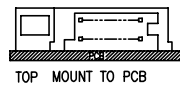
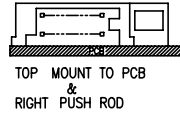
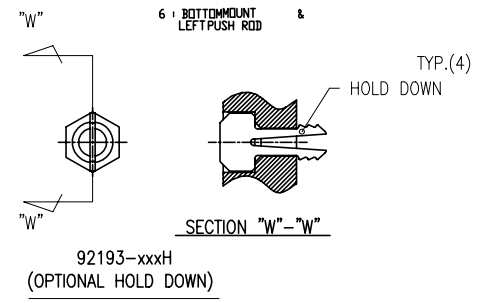


PRODUCT NO.
92193

PRODUCT NO.	STAND OFF(mm)	DIM "N" (mm)	PUSH ROD COLOR	HDR SOLDER TAIL	HOLD DOWN	MECH ASSY 92192-XXXXX	HDR ASSY 92140-XXXXX	DIM "P" (mm)	HDR COLOR	SHEET NO.	MOUNT STYLE TO PCB & DIRECTION OF PUSH ROD
000AA	0	8	BLACK	R/A	NONE	00AA	000	2.8			
000CA	0	13	BLACK	R/A	NONE	00CA	000	2.8			
000CAH	0	13	BLACK	R/A	YES	00CAH	000H	2.8			
000CB	0	13	BLUE	R/A	NONE	00CB	000	2.8			
000CBH	0	13	BLUE	R/A	YES	00CBH	000H	2.8			
000FA	0	21	BLACK	R/A	YES	00FA	000	2.8			
001AA	0	8	BLACK	SMT STAGGERED	NONE	00AA	001	--	BLACK	NO.2	TOP MOUNT TO PCB & RIGHT PUSH ROD
001AAH	0	8	BLACK	SMT STAGGERED	YES	00AAH	001H	--			
001CA	0	13	BLACK	SMT STAGGERED	NONE	00CA	001	--			
001CAH	0	13	BLACK	SMT STAGGERED	YES	00CAH	001H	--			
001FA	0	21	BLACK	SMT STAGGERED	NONE	00FA	001	--			
001FAH	0	21	BLACK	SMT STAGGERED	YES	00FAH	001H	--			
002CA	0	13	BLACK	SMT IN LINE	NONE	00CA	002	--			
002CAH	0	13	BLACK	SMT IN LINE	YES	00CAH	002H	--			
020CA	2	13	BLACK	R/A	NONE	02CA	040	2.5			
040CA	4	13	BLACK	R/A	NONE	04CA	010	2.8			
050CA	5	13	BLACK	R/A	NONE	05CA	020	2.8			
050CAH	5	13	BLACK	R/A	YES	05CAH	020H	2.8			
100CA	0	13	BLACK	R/A	NONE	10CA	000	2.8			
100CAH	0	13	BLACK	R/A	YES	10CAH	000H	2.8			
101CA	0	13	BLACK	SMT STAGGERED	NONE	10CA	001	--			
101CAH	0	13	BLACK	SMT STAGGERED	YES	10CAH	001H	--			
101FA	0	21	BLACK	SMT STAGGERED	NONE	10FA	001	--			
101FAH	0	21	BLACK	SMT STAGGERED	YES	10FAH	001H	--			
102CA	0	13	BLACK	SMT IN LINE	NONE	10CA	002	--			
102CAH	0	13	BLACK	SMT IN LINE	YES	10CAH	002H	--			
120CA	2	13	BLACK	R/A	NONE	12CA	040	2.5			
120FA	2	21	BLACK	R/A	NONE	12FA	040	2.5			
130CA	3	13	BLACK	R/A	NONE	13CA	050	2.8			
130CAH	3	13	BLACK	R/A	YES	13CAH	050H	2.8			
140CA	4	13	BLACK	R/A	NONE	14CA	010	2.8			
150CA	5	13	BLACK	R/A	NONE	15CA	020	2.8			
500CA	0	13	BLACK	R/A	NONE	10CA	500	2.8			
500CAH	0	13	BLACK	R/A	YES	10CAH	500H	2.8			
500FA	0	21	BLACK	R/A	NONE	10FA	500	2.8			
501CA	0	13	BLACK	SMT STAGGERED	NONE	10CA	501	--	NATURAL	NO.6	BOTTOM MOUNT TO PCB & RIGHT PUSH ROD
501CAH	0	13	BLACK	SMT STAGGERED	YES	10CAH	501H	--			
502CA	0	13	BLACK	SMT IN LINE	NONE	10CA	502	--			
502CAH	0	13	BLACK	SMT IN LINE	YES	10CAH	502H	--			
502FA	0	21	BLACK	SMT IN LINE	NONE	10FA	502	--			
520CA	2	13	BLACK	R/A	NONE	12CA	540	2.5			
540CA	4	13	BLACK	R/A	NONE	14CA	510	2.8			
550CA	5	13	BLACK	R/A	NONE	15CA	520	2.8			
600CA	0	13	BLACK	R/A	NONE	00CA	500	2.8			
600CAH	0	13	BLACK	R/A	YES	00CAH	500H	2.8			
601CA	0	13	BLACK	SMT STAGGERED	NONE	00CA	501	--	NATURAL	NO.8	BOTTOM MOUNT TO PCB & LEFT PUSH ROD
601CAH	0	13	BLACK	SMT STAGGERED	YES	00CAH	501H	--			
602CA	0	13	BLACK	SMT IN LINE	NONE	00CA	502	--			
602CAH	0	13	BLACK	SMT IN LINE	YES	00CAH	502H	--			
620CA	2	13	BLACK	R/A	NONE	02CA	540	2.5			
640CA	4	13	BLACK	R/A	NONE	04CA	510	2.8			
650CA	5	13	BLACK	R/A	NONE	05CA	520	2.8			



- # 92193-X X X X X X X X
- OPTIONAL LEAD FREE: NONE : N D, LF : YES (SEE NOTE 1)
- OPTIONAL HOLD DOWN: NONE : N D, H : YES
- PUSH ROD COLOR: A : BLACK, B : BLUE
- PUSH ROD LENGTH (DIM "N"): A : 8mm, C : 13mm, F : 21mm
- HDR SOLDER TAIL: 0 : R/A, 1 : SMT STAGGERED, 2 : SMT IN LINE
- STAND OFF HEIGHT (DIM "M"): 0 : 0mm(NONE), 2 : 2mm, 3 : 3mm, 4 : 4mm, 5 : 5mm
- MOUNT STYLE TO PCB & DIRECTION OF PUSH ROD: 0 : TOP MOUNT RIGHT PUSH ROD, 1 : TOP MOUNT LEFT PUSH ROD, 5 : BOTTOM MOUNT RIGHT PUSH ROD, 6 : BOTTOM MOUNT LEFT PUSH ROD

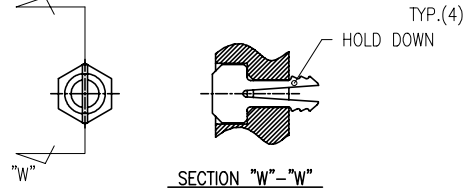
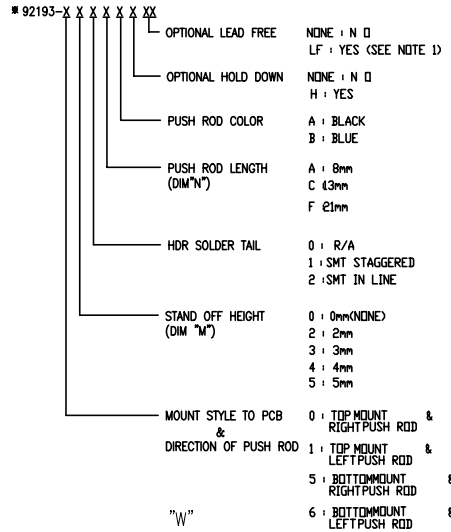


NOTE
1. THIS PRODUCT MEETS EUROPEAN UNION DIRECTIVES AND OTHER COUNTRY REGULATIONS AS DESCRIBED IN GS-22-008.

mat'l. code	surface ISO1302	tolerance ISO1101 ISO406	projection	product family
l t r e c n n o d r	date	tolerances unless otherwise specified	MM	PCMCIA
U N07-0026 DT	1/29/07	0.X±0.3		68P EJECTOR HEADER ASSY FOR TYPE I/II/III (FOR 5.0V)
V N09-0163 SH	6/3/09	0.XX±0.13	scale 1:1	
W ELX-N-011429 ZK	04/02/12	0.XXX±0.051		
dr	M.Hasegawa	4/25/05		dwg no
enr	M.Hasegawa	4/25/05		sheet 1 of 10
chr	M.Hasegawa	4/25/05		92193
app	M.Hasegawa	4/25/05		A4
sheet index	revision sheet	1 2 3 4 5 6 7 8 9 10		type Product Customer Drawing

PRODUCT NO.
92193

PRODUCT NO. *92193-XXXXX	STAND OFF(mm)	DIM "N" (mm)	PUSH ROD COLOR	HDR SOLDER TAIL	HOLD DOWN	MECH ASSY 92192-XXXX	HDR ASSY 92140-XXXX	DIM "P" (mm)	HDR COLOR	SHEET NO.	MOUNT STYLE TO PCB & DIRECTION OF PUSH ROD
000AALF	0	8	BLACK	R/A	NONE	00AA	000LF	2.8	BLACK	NO.2	
000CALF	0	13	BLACK	R/A	NONE	00CA	000LF	2.8			
000CAHLF	0	13	BLACK	R/A	YES	00CAH	000HLF	2.8			
000CBLF	0	13	BLUE	R/A	NONE	00CB	000LF	2.8			
000CBHLF	0	13	BLUE	R/A	YES	00CBH	000HLF	2.8			
000FALF	0	21	BLACK	R/A	YES	00FA	000LF	2.8			
001AA	0	8	BLACK	SMT STAGGERED	NONE	00AA	001	-#			
001AAH	0	8	BLACK	SMT STAGGERED	YES	00AAH	001H	-#			
001CA	0	13	BLACK	SMT STAGGERED	NONE	00CA	001	-#			
001CAH	0	13	BLACK	SMT STAGGERED	YES	00CAH	001H	-#			
001FA	0	21	BLACK	SMT STAGGERED	NONE	00FA	001	-#			
001FAH	0	21	BLACK	SMT STAGGERED	YES	00FAH	001H	-#			
002CA	0	13	BLACK	SMT IN LINE	NONE	00CA	002	-#			
002CAH	0	13	BLACK	SMT IN LINE	YES	00CAH	002H	-#			
020CALF	2	13	BLACK	R/A	NONE	02CA	040LF	2.5	BLACK	NO.3	
040CALF	4	13	BLACK	R/A	NONE	04CA	010LF	2.8			
050CALF	5	13	BLACK	R/A	NONE	05CA	020LF	2.8			
050CAHLF	5	13	BLACK	R/A	YES	05CAH	020HLF	2.8			
100CALF	0	13	BLACK	R/A	NONE	10CA	000LF	2.8			
100CAHLF	0	13	BLACK	R/A	YES	10CAH	000HLF	2.8			
101CA	0	13	BLACK	SMT STAGGERED	NONE	10CA	001	-#			
101CAH	0	13	BLACK	SMT STAGGERED	YES	10CAH	001H	-#			
101FA	0	21	BLACK	SMT STAGGERED	NONE	10FA	001	-#			
101FAH	0	21	BLACK	SMT STAGGERED	YES	10FAH	001H	-#			
102CA	0	13	BLACK	SMT IN LINE	NONE	10CA	002	-#			
102CAH	0	13	BLACK	SMT IN LINE	YES	10CAH	002H	-#			
120CALF	2	13	BLACK	R/A	NONE	12CA	040LF	2.5	BLACK	NO.5	
120CAHLF	2	13	BLACK	R/A	YES	12CAH	040HLF	2.5			
120FALF	2	21	BLACK	R/A	NONE	12FA	040LF	2.5			
130CALF	3	13	BLACK	R/A	NONE	13CA	050LF	2.8			
130CAHLF	3	13	BLACK	R/A	YES	13CAH	050HLF	2.8			
140CALF	4	13	BLACK	R/A	NONE	14CA	010LF	2.8			
150CALF	5	13	BLACK	R/A	NONE	15CA	020LF	2.8			
500CALF	0	13	BLACK	R/A	NONE	10CA	500LF	2.8			
500CAHLF	0	13	BLACK	R/A	YES	10CAH	500HLF	2.8			
500FALF	0	21	BLACK	R/A	NONE	10FA	500LF	2.8			
501CA	0	13	BLACK	SMT STAGGERED	NONE	10CA	501	-#	NATURAL	NO.6	
501CAH	0	13	BLACK	SMT STAGGERED	YES	10CAH	501H	-#			
502CA	0	13	BLACK	SMT IN LINE	NONE	10CA	502	-#			
502CAH	0	13	BLACK	SMT IN LINE	YES	10CAH	502H	-#			
502FA	0	21	BLACK	SMT IN LINE	NONE	10FA	502	-#			
520CALF	2	13	BLACK	R/A	NONE	12CA	540LF	2.5			
540CALF	4	13	BLACK	R/A	NONE	14CA	510LF	2.8			
550CALF	5	13	BLACK	R/A	NONE	15CA	520LF	2.8			
600CALF	0	13	BLACK	R/A	NONE	00CA	500LF	2.8			
600CAHLF	0	13	BLACK	R/A	YES	00CAH	500HLF	2.8			
601CA	0	13	BLACK	SMT STAGGERED	NONE	00CA	501	-#	NATURAL	NO.8	
601CAH	0	13	BLACK	SMT STAGGERED	YES	00CAH	501H	-#			
602CA	0	13	BLACK	SMT IN LINE	NONE	00CA	502	-#			
602CAH	0	13	BLACK	SMT IN LINE	YES	00CAH	502H	-#			
620CALF	2	13	BLACK	R/A	NONE	02CA	540LF	2.5			
640CALF	4	13	BLACK	R/A	NONE	04CA	510LF	2.8			
650CALF	5	13	BLACK	R/A	NONE	05CA	520LF	2.8			

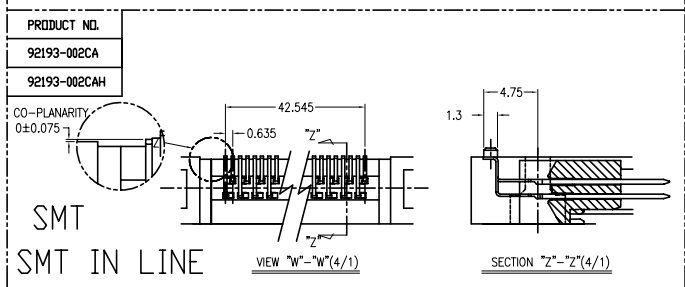
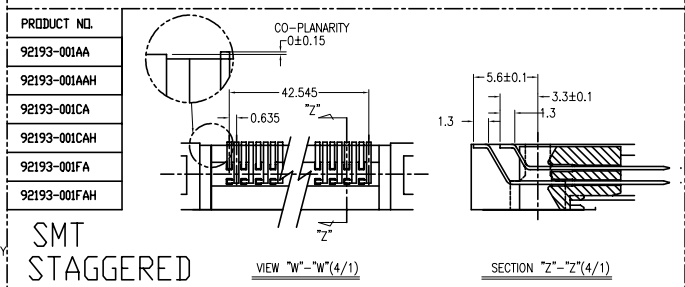
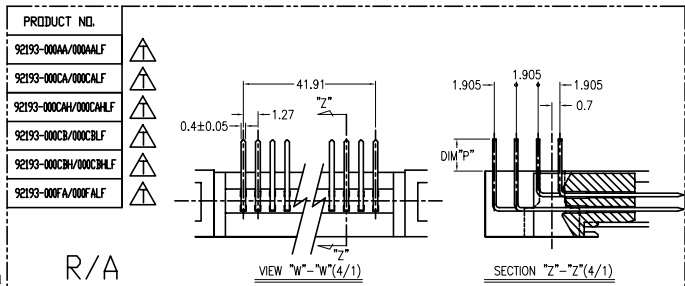
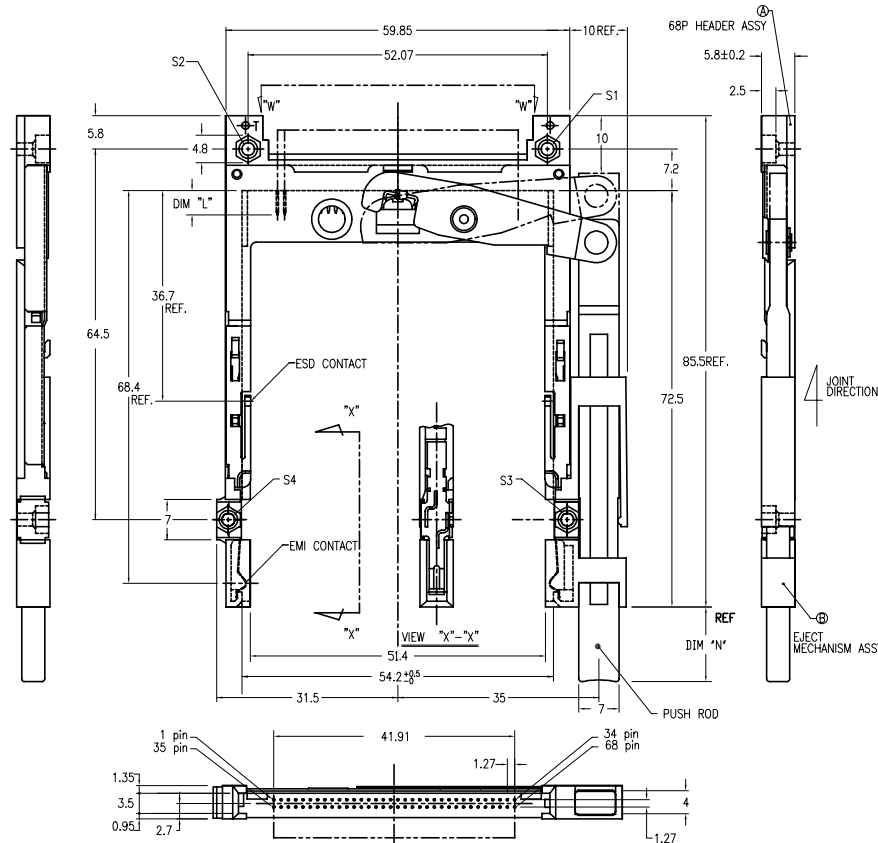


92193-xxxH
(OPTIONAL HOLD DOWN)

NOTE
1. THIS PRODUCT MEETS EUROPEAN UNION DIRECTIVES AND OTHER COUNTRY REGULATIONS AS DESCRIBED IN GS-22-008.

mat'l. code	surface ISO1302	tolerance ISO1101 ISO406	projection	product family PCMCIA
ltr ecn nodr date	tolerances unless otherwise specified		MM	title 68P EJECTOR HEADER ASSY FOR TYPE I/II/III (FOR 5.0V)
W	angle	0.X±0.3	scale 1:1	dwg no 92193
	0°±2'	0.XX±0.13		sheet 2 of 10 size A4
		0.XXX±0.051		type Product Customer Drawing
dr	M.Hasegawa	4/25/05		
enr	M.Hasegawa	4/25/05		
chr	M.Hasegawa	4/25/05		
appd	M.Hasegawa	4/25/05		
sheet index	revision sheet			

PRODUCT NO.
92193-00*****



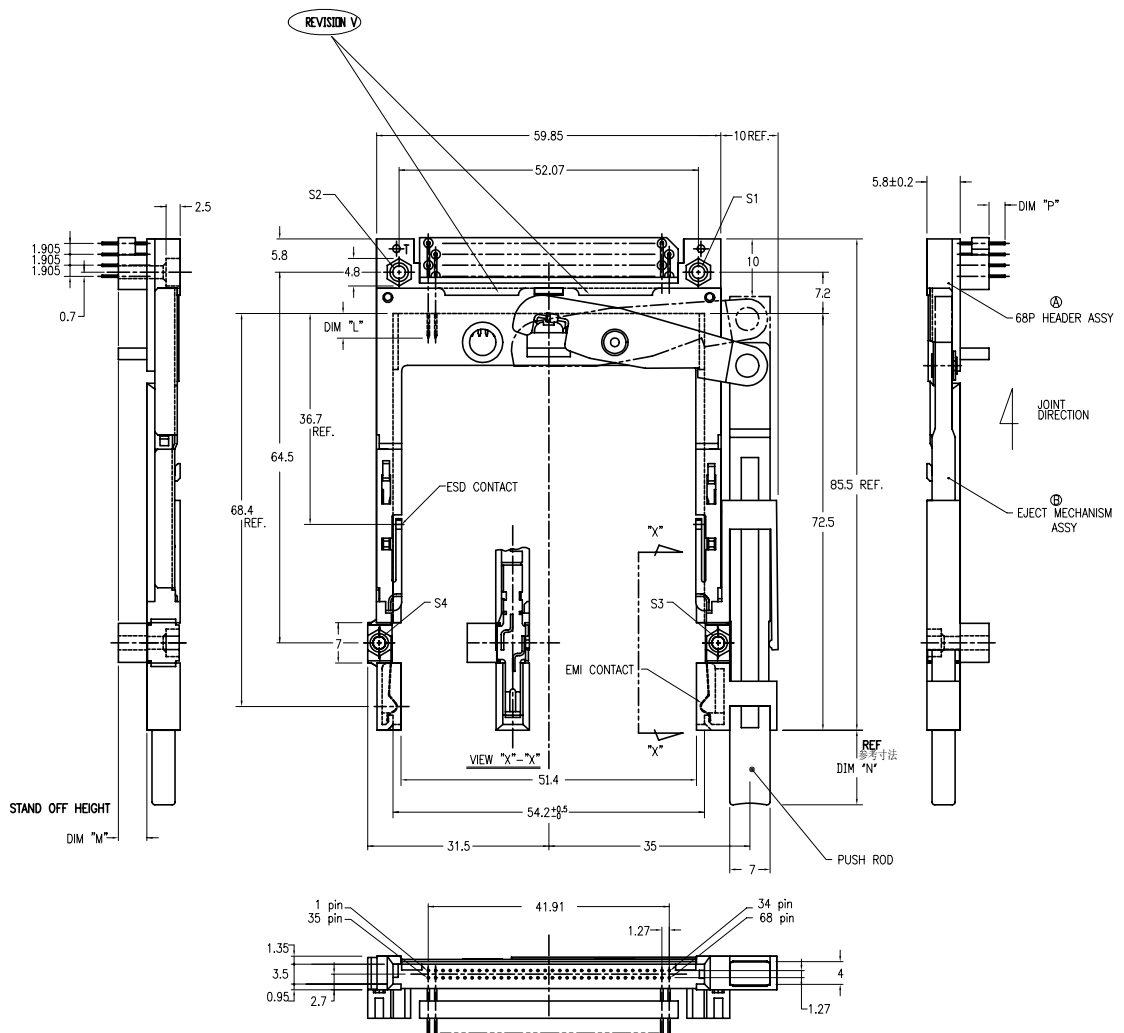
- NOTE
- EJECT FORCE 3.5kg MAX.
 - ASSY PROCESS
 - TO MOUNT PART ④ ON PWB WITH SCREW (S1,S2) AND SOLDER.
 - TO JOINT PART ⑤ INTO PART ④, THEN FIX PART ⑥ WITH 2 SCREWS (S3,S4).
 - EJECT TRAVEL 8.0mm
 - MATERIAL
 - PART ④ (HEADER ASSY)
 - HOUSING : HIGH TEMPERATURE THERMOPLASTIC UL94V-0
 - PIN : PHOSPHOR BRONZE
 - PART ⑤ (EJECT MECHANISM ASSY)
 - GUIDE : HIGH TEMPERATURE THERMOPLASTIC UL94V-0 BLACK
 - PUSH ROD : FLAME RETARDANT UL94V-0
 - PLATE : STAINLESS
 - EMI CONTACT : PHOSPHOR BRONZE
 - OPTIONAL HOLD-DOWN : BRASS

- ⑤ FINISH
- PIN
 - UNDER PLATING : 0.5µm MIN. Ni
 - CONTACT AREA : 0.076 µm MIN. GOLD
 - SOLDER TAIL : 2.5µm MIN. Sn-Pb OR 2.5µm MIN. PURE Sn (FOR -*****LF)
 - EMI CONTACT
 - UNDER PLATING : 2.0µm MIN. Ni
 - CONTACT AREA : 0.076 µm MIN. GOLD
 - OPTIONAL HOLD-DOWN : 2.5µm MIN. PURE Sn.
 - PIN NO.

	DIM "T"		
	4.25±0.1	3.5±0.1	5.0±0.1
PIN No.	OTHERS	36.87	33.5788
- SEE TA-946 FOR PCB LAYOUT.
 - SEE 92140 FOR DETAILED HDR DIMENSION.
 - SEE SHEET1,2 REGARDING COMPONENTS.
 - GENERAL TOLERANCE : ±0.3
 - PRODUCT SPEC:110-263

mat'l. code	surface ISO1302 ✓	tolerance ISO1101 ISO406	projection 	product family PCMCIA
l t r e c n n o d r d a t e	tolerances unless otherwise specified		MM	68P EJECTOR HEADER ASSY FOR TYPE I/II/III (FOR 5.0V)
W	angle 	0.X±0.3 0.XX±0.13 0.XXX±0.051	scale 1:1	dwg no 92193
	dr	M.Hasegawa 4/25/05		sheet 3 of 10 size A4
	enr	M.Hasegawa 4/25/05		type Product Customer Drawing
	chr	M.Hasegawa 4/25/05		
sheet index	revision sheet	appd	M.Hasegawa 4/25/05	

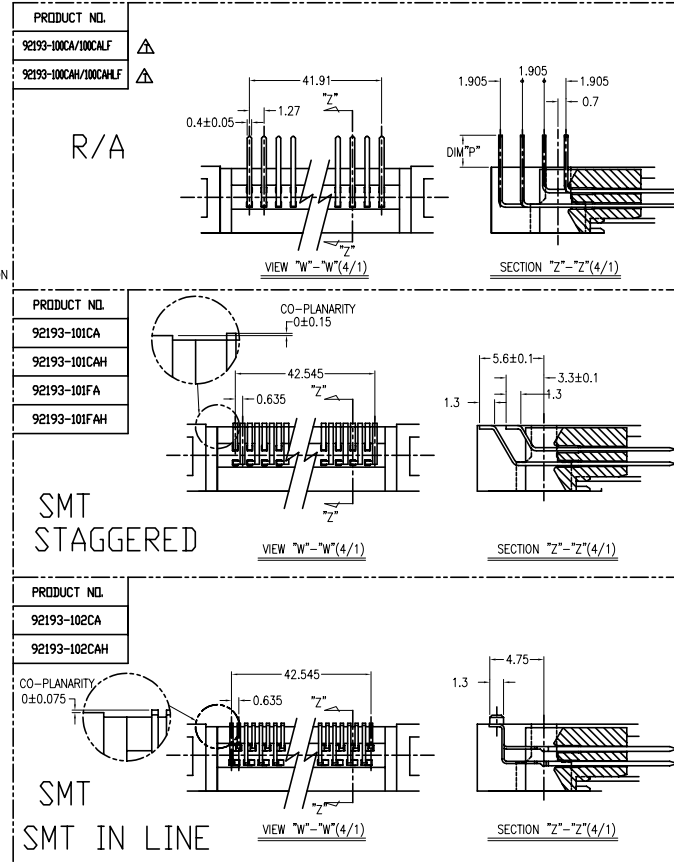
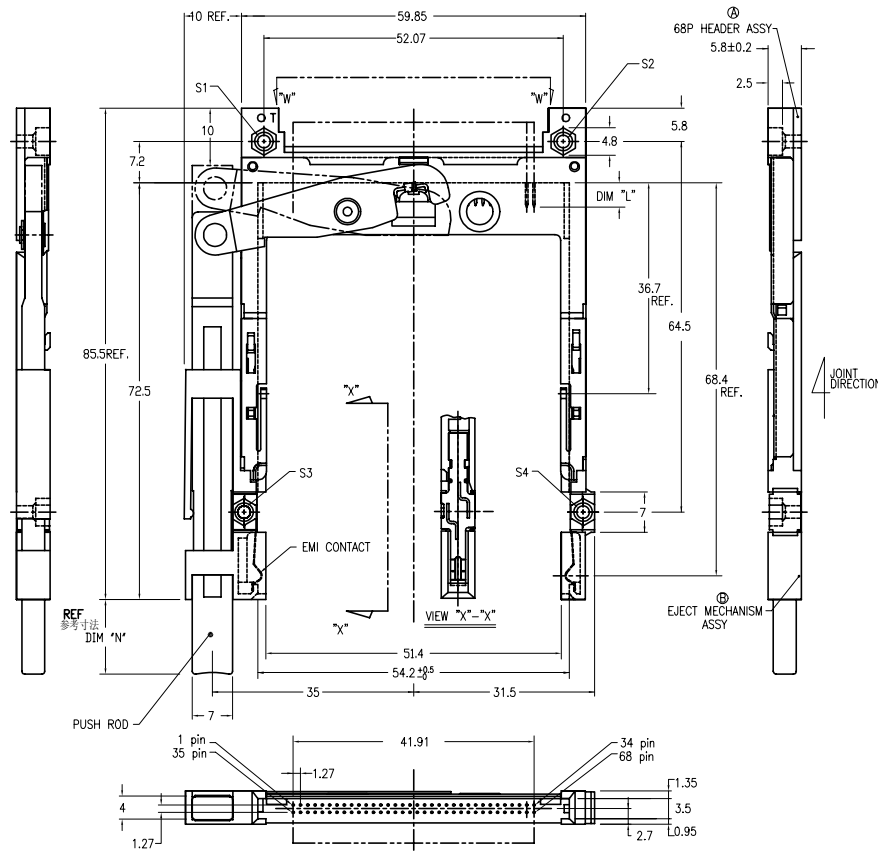
PRODUCT NO.
92193-010CA/010CALF
92193-040CA/040CALF
92193-050CA/050CALF
92193-050CAH/050CAHLF



- NOTE
- EJECT FORCE 3.5Kg MAX.
 - ASSY PROCESS
 - TO MOUNT PART ④ ON PWB WITH SCREW (S1,S2) AND SOLDER.
 - TO JOINT PART ④ INTO PART ④, THEN FIX PART ④ WITH 2 SCREWS (S3,S4).
 - EJECT TRAVEL 8.0mm
- ④ MATERIAL (HEADER ASSY)
- | | |
|---------|------------------------------------------|
| HOUSING | : HIGH TEMPERATURE THERMOPLASTIC UL94V-0 |
| PIN | : PHOSPHOR BRONZE |
- ④ PART ④ (EJECT MECHANISM ASSY)
- | | |
|-------------|------------------------------------------------|
| GUIDE | : HIGH TEMPERATURE THERMOPLASTIC UL94V-0 BLACK |
| PUSH ROD | : FLAME RETARDANT UL94V-0 |
| PLATE | : STAINLESS |
| EMI CONTACT | : PHOSPHOR BRONZE |
| STANDOFF | : ZINC ALLOYS DIE CASTING |
- ⑤ FINISH
- 5.1 PIN
- | | |
|---------------|--------------------------------------|
| UNDER PLATING | : 0.5µm MIN. Ni |
| CONTACT AREA | : 0.076 µm MIN. GOLD |
| SOLDER TAIL | : 2.5µm MIN. Sn-Pb |
| | OR 2.5µm MIN. PURE Sn.(FOR -*****LF) |
- 5.2 EMI CONTACT
- | | |
|---------------|----------------------|
| UNDER PLATING | : 2.0µm MIN. Ni |
| CONTACT AREA | : 0.076 µm MIN. GOLD |
- 5.3 STAND OFF : 3 ~5µm Ni, OVER 5 ~10µm Cu.
6. PIN NO.
- | | | DIM "L" | |
|---------|--------|----------|---------|
| | | 4.25±0.1 | 3.5±0.1 |
| PIN No. | OTHERS | 36.67 | 36.67 |
- SEE TA-946 FOR PCB LAYOUT.
 - SEE 92140 FOR DETAILED HDR DIMENSION.
 - SEE SHEET1,2 REGARDING COMPONENTS.
 - GENERAL TOLERANCE : ±0.3.
 - PRODUCT SPEC:110-263

mat'l. code	surface ISO1302	tolerance ISO1101 ISO406	projection	product family PCMCIA
ltr ecn nodr	tolerances unless otherwise specified		MM	68P EJECTOR HEADER ASSY FOR TYPE I/II/III (FOR 5.0V)
w	angle	0.X±0.3	scale 1:1	dwg no 92193 sheet 4 of 10 size A4
		0.XX±0.13		
		0°±2'		
	dr	M.Hasegawa	4/25/05	
	engr	M.Hasegawa	4/25/05	
	chr	M.Hasegawa	4/25/05	
	appd	M.Hasegawa	4/25/05	
sheet index	revision sheet			type Product Customer Drawing

PRODUCT NO.	92193-101FA
92193-100CA/100CALF	92193-101FAH
92193-100CAH/100CAHF	92193-102CA
92193-101CA	92193-102CAH
92193-101CAH	

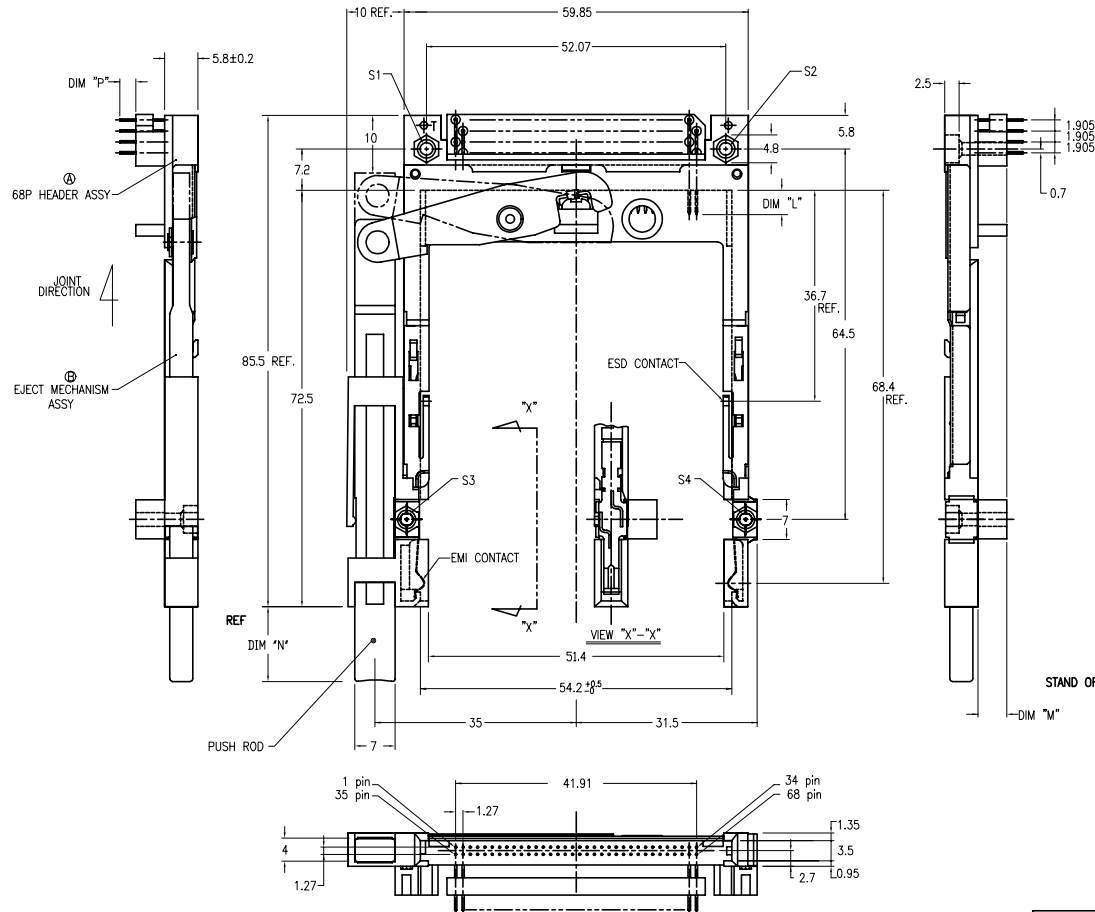


- NOTE
- EJECT FORCE 3.5kg MAX.
 - ASSY PROCESS
 - TO MOUNT PART ① ON PWB WITH SCREW (S1,S2) AND SOLDER.
 - TO JOINT PART ② INTO PART ③, THEN FIX PART ④ WITH 2 SCREWS (S3,S4).
 - EJECT TRAVEL 8.0mm
- ④ MATERIAL
- PART ① (HEADER ASSY)
 - HOUSING : HIGH TEMPERATURE THERMOPLASTIC UL94V-0
 - PIN : PHOSPHOR BRONZE
 - PART ② (EJECT MECHANISM ASSY)
 - GUIDE : HIGH TEMPERATURE THERMOPLASTIC UL94V-0 BLACK
 - PUSH ROD : FLAME RETARDANT UL94V-0
 - PLATE : STAINLESS
 - EMI CONTACT : PHOSPHOR BRONZE
 - OPTIONAL HOLD-DOWN : BRASS

- ⑤ FINISH
- PIN
 - UNDER PLATING : 0.5µm MIN. Ni
 - CONTACT AREA : 0.076 µm MIN. GOLD
 - SOLDER TAIL : 2.5µm MIN. Sn-Pb OR 2.5µm MIN. PURE Sn (FOR -*****LF)
 - EMI CONTACT
 - UNDER PLATING : 2.0µm MIN. Ni
 - CONTACT AREA : 0.076 µm MIN. GOLD
 - OPTIONAL HOLD-DOWN : 2.5µm MIN. PURE Sn
6. PIN NO.
- | PIN NO. | DIM "Y" | |
|---------|----------|------------|
| | 4.25±0.1 | 5.0±0.1 |
| OTHERS | 36.67 | 35.91±0.08 |
- SEE TA-946 FOR PCB LAYOUT.
 - SEE 92140 FOR DETAILED HDR DIMENSION.
 - SEE SHEET 1, 2 REGARDING COMPONENTS.
 - GENERAL TOLERANCE : ±0.3
 - PRODUCT SPEC:110-263

mat'l. code	surface ISO1302 ✓	tolerance ISO1101 ISO406	projection ①	product family PCMCIA
l t r e c n n o d r d a t e	tolerances unless otherwise specified		MM	868P EJECTOR HEADER ASSY FOR TYPE I/II/III (FOR 5.0V)
w	angle 0°±2'	0.X±0.3 0.XX±0.13 0.XXX±0.051	scale 1:1	dwg no 92193 sheet 5 of 10 size A4
	dr M.Hasegawa	4/25/05	FCI	type Product Customer Drawing
	engr M.Hasegawa	4/25/05		
	chr M.Hasegawa	4/25/05		
sheet index	revision sheet	appr M.Hasegawa	4/25/05	

PRODUCT NO.	
92193-120CA/120CAHLF	△
92193-120FA/120FAHF	△
92193-130CA/130CAHF	△
92193-130FA/130FAHF	△
92193-140CA/140CAHF	△
92193-150CA/150CAHF	△

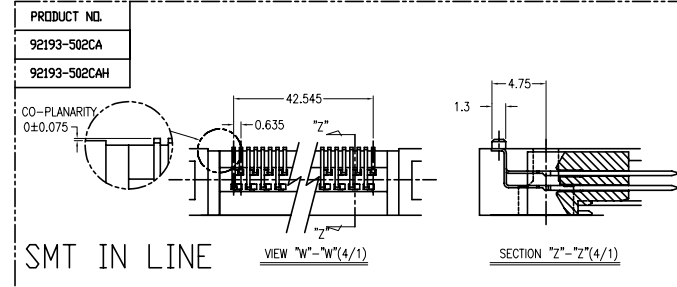
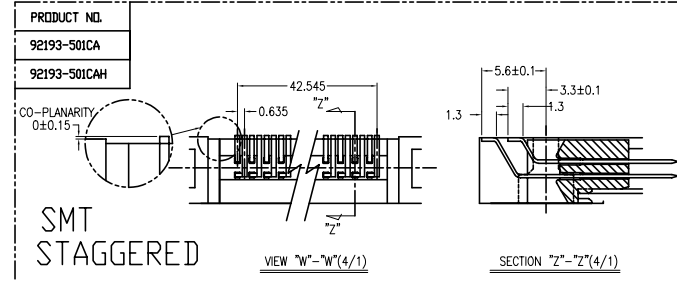
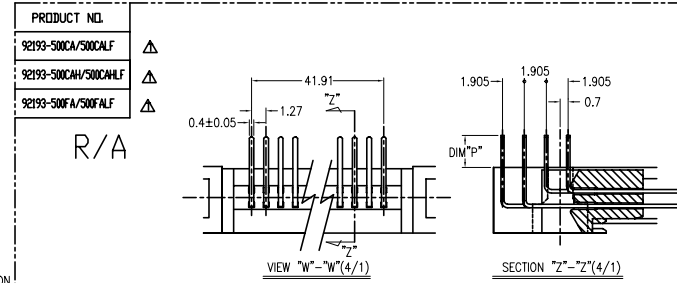
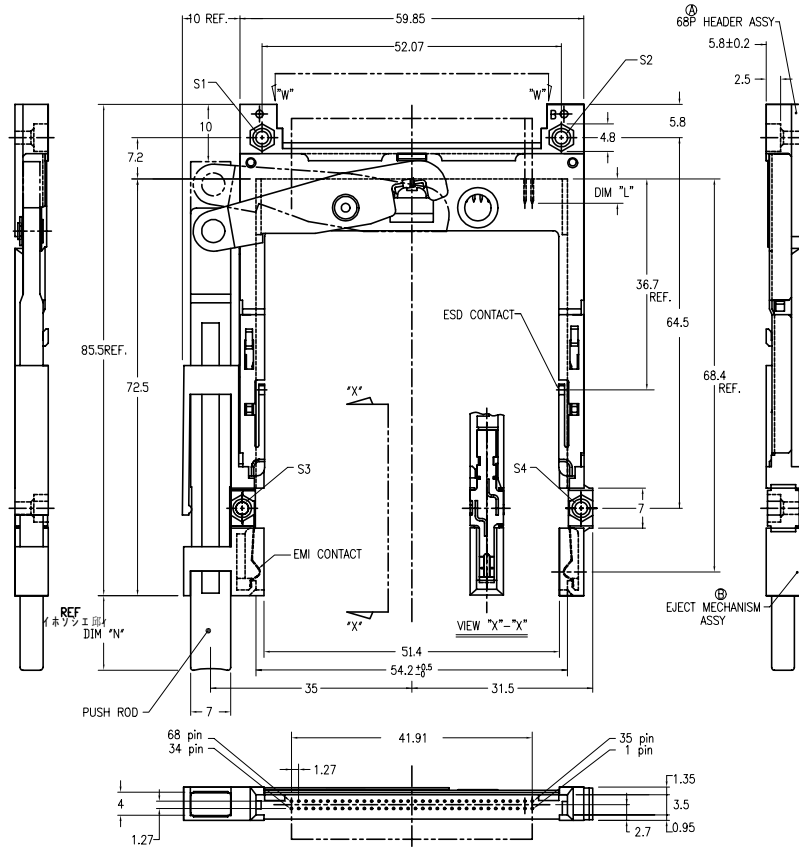


- NOTE**
- EJECT FORCE 3.5Kg MAX.
 - ASSY PROCESS
 - TO MOUNT PART ① ON PWB WITH SCREW (S1,S2) AND SOLDER.
 - TO JOINT PART ② INTO PART ①, THEN FIX PART ③ WITH 2 SCREWS (S3,S4).
 - EJECT TRAVEL 8.0mm
- ① MATERIAL**
- PART ① (HEADER ASSY)
 - HOUSING : HIGH TEMPERATURE THERMOPLASTIC UL94V-0
 - PIN : PHOSPHOR BRONZE
 - PART ② (EJECT MECHANISM ASSY)
 - GUIDE : HIGH TEMPERATURE THERMOPLASTIC UL94V-0 BLACK
 - PUSH ROD : FLAME RETARDANT UL94V-0
 - PLATE : STAINLESS
 - EMI CONTACT : PHOSPHOR BRONZE
 - STANDOFF : ZINC ALLOYS DIE CASTING
- ⑤ FINISH**
- PIN
 - UNDER PLATING : 0.5µm MIN. NI
 - CONTACT AREA : 0.076 µm MIN. GOLD
 - SOLDER TAIL : 2.5µm MIN. Sn-Pb OR 2.5µm MIN. PURE Sn.(FOR -*****LF)
 - EMI CONTACT
 - UNDER PLATING : 2.0µm MIN. NI
 - CONTACT AREA : 0.076 µm MIN. GOLD
 - STAND OFF : 3 ~5µm NI, OVER 5 ~10µm Cu.
- 6. PIN NO.**
- | PIN No. | DIM "M" | |
|---------|----------|------------|
| | 4.25±0.1 | 5.0±0.1 |
| OTHERS | 36.67 | 36.67±0.08 |
- 7. SEE TA-946 FOR PCB LAYOUT.**
8. SEE 92140 FOR DETAILED HDR DIMENSION.
9. SEE SHEET1,2 REGARDING COMPONENTS.
10. GENERAL TOLERANCE : ±0.3.
11. PRODUCT SPEC:110-263

PIN No.	DIM "M"	
	4.25±0.1	5.0±0.1
OTHERS	36.67	36.67±0.08

mat'l. code	surface ISO1302 ✓	tolerance ISO1101 ISO406	projection ① ②	product family PCMCIA
ltr ecn nodr	date	tolerances unless other	wise specified	title
w	angle	0.X±0.3	MM	68P EJECTOR HEADER ASSY
	0°±2'	0.XX±0.13	scale 1:1	FOR TYPE I/II/III (FOR 5.0V)
	dr	M.Hasegawa	4/25/05	dwg no
	engr	M.Hasegawa	4/25/05	sheet 6 of 10
	chr	M.Hasegawa	4/25/05	92193
	appd	M.Hasegawa	4/25/05	type Product Customer Drawing
sheet index	revision sheet			

PRODUCT NO.	92193-501CA
92193-500CA/500CALF	92193-501CAH
92193-500CAH/500CAHLF	92193-502CA
92193-500FA/500FALF	92193-502CAH
	92193-502FA



NOTE

- EJECT FORCE 3.5kg MAX.
 - ASSY PROCESS
 - TO MOUNT PART ① ON PWB WITH SCREW (S1,S2) AND SOLDER.
 - TO JOINT PART ② INTO PART ①, THEN FIX PART ③ WITH 2 SCREWS (S3,S4).
 - EJECT TRAVEL 8.0mm
- ④ MATERIAL
- PART ① (HEADER ASSY)
 - HOUSING : HIGH TEMPERATURE THERMOPLASTIC UL94V-0
 - PIN : PHOSPHOR BRONZE
 - PART ② (EJECT MECHANISM ASSY)
 - GUIDE : HIGH TEMPERATURE THERMOPLASTIC UL94V-0 BLACK
 - PUSH ROD : FLAME RETARDANT UL94V-0
 - PLATE : STAINLESS
 - EMI CONTACT : PHOSPHOR BRONZE
 - OPTIONAL HOLD-DOWN : BRASS

⑤ FINISH
5.1 PIN

UNDER PLATING : 0.5µm MIN. Ni
CONTACT AREA : 0.076 µm MIN. GOLD
SOLDER TAIL : 2.5µm MIN. Sn-Pb
OR 2.5µm MIN. PURE Sn.(FOR -*****LF)

5.2 EMI CONTACT

UNDER PLATING : 2.0µm MIN. Ni
CONTACT AREA : 0.076 µm MIN. GOLD

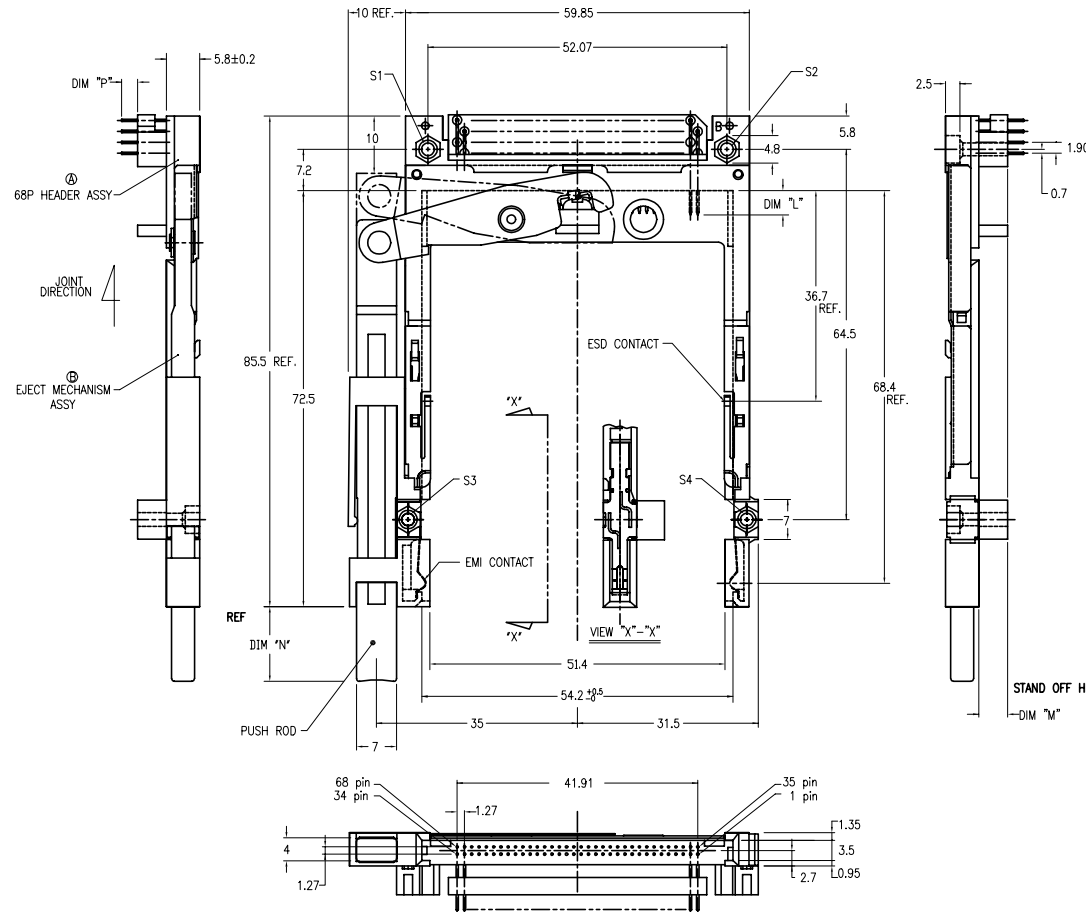
5.3 OPTIONAL HOLD-DOWN

PIN NO.	DM "L"
4,25±0.1	3.5±0.1
5,6±0.1	5.0±0.1
OTHERS	36.67

- SEE TA-946 FOR PCB LAYOUT.
- SEE 92140 FOR DETAILED HDR DIMENSION.
- SEE SHEET 1.2 REGARDING COMPONENTS.
- GENERAL TOLERANCE : ±0.3.
- PRODUCT SPEC:110-263

mat'l. code	surface ISO1302 ✓	tolerance ISO1101 ISO406	projection ④	product family PCMCIA
l'trecn nodr date	tolerances unless otherwise specified			title
w	angle ⑤	0.X±0.3	MM	68P EJECTOR HEADER ASSY FOR TYPE I/II/III (FOR 5.0V)
	0°±2'	0.XX±0.13	scale 1:1	dwg no sheet 7 of 10 size
	dr M.Hasegawa 4/25/05	0.XXX±0.051		92193 A4
	enr M.Hasegawa 4/25/05			type Product Customer Drawing
	chr M.Hasegawa 4/25/05			
	appd M.Hasegawa 4/25/05			
sheet index	revision sheet			

PRODUCT NO.	
92193-520CA/530CALF	▲
92193-540CA/540CALF	▲
92193-550CA/550CALF	▲



NOTE

- EJECT FORCE 3.5kg MAX.
- ASSY PROCESS
 - TO MOUNT PART ④ ON PWB WITH SCREW (S1,S2) AND SOLDER.
 - TO JOINT PART ④ INTO PART ④, THEN FIX PART ④ WITH 2 SCREWS (S3,S4).
- EJECT TRAVEL 8.0mm

④ MATERIAL

- PART ④ (HEADER ASSY)
 - HOUSING : HIGH TEMPERATURE THERMOPLASTIC UL94V-0
 - PIN : PHOSPHOR BRONZE
- PART ④ (EJECT MECHANISM ASSY)
 - GUIDE : HIGH TEMPERATURE THERMOPLASTIC UL94V-0 BLACK
 - PUSH ROD : FLAME RETARDANT UL94V-0
 - PLATE : STAINLESS
 - EMI CONTACT : PHOSPHOR BRONZE
 - STANDOFF : ZINC ALLOYS DIE CASTING

④ FINISH

- PIN
 - UNDER PLATING : 0.5µm MIN. Ni
 - CONTACT AREA : 0.076 µm MIN. GOLD
 - SOLDER TAIL : 2.5µm MIN. Sn-Pb OR 2.5µm MIN. PURE Sn.(FOR -*****LF)
- EMI CONTACT
 - UNDER PLATING : 2.0µm MIN. Ni
 - CONTACT AREA : 0.076 µm MIN. GOLD
- STAND OFF : 3 ~5µm Ni, OVER 5 ~10µm Cu.

6. PIN NO.

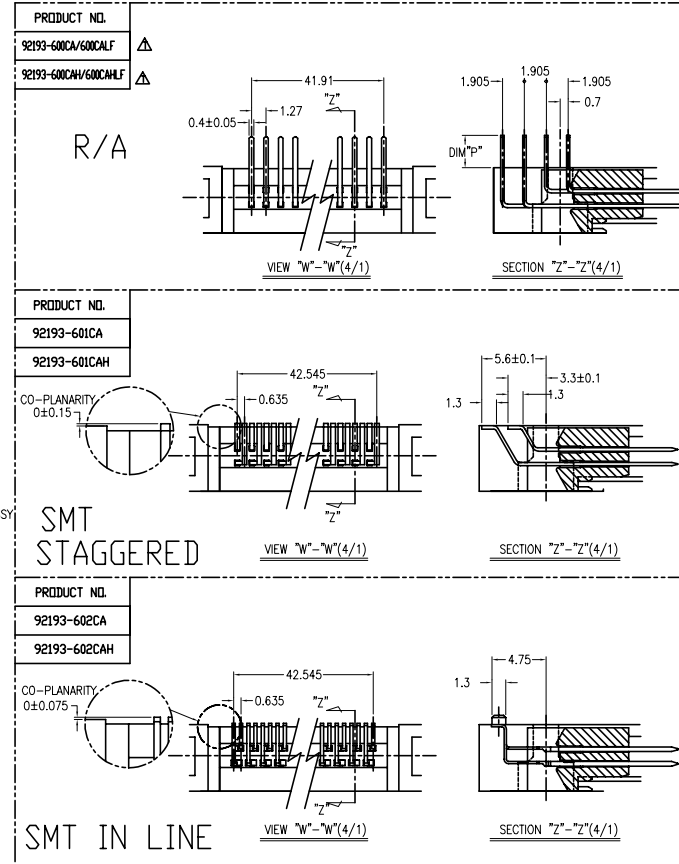
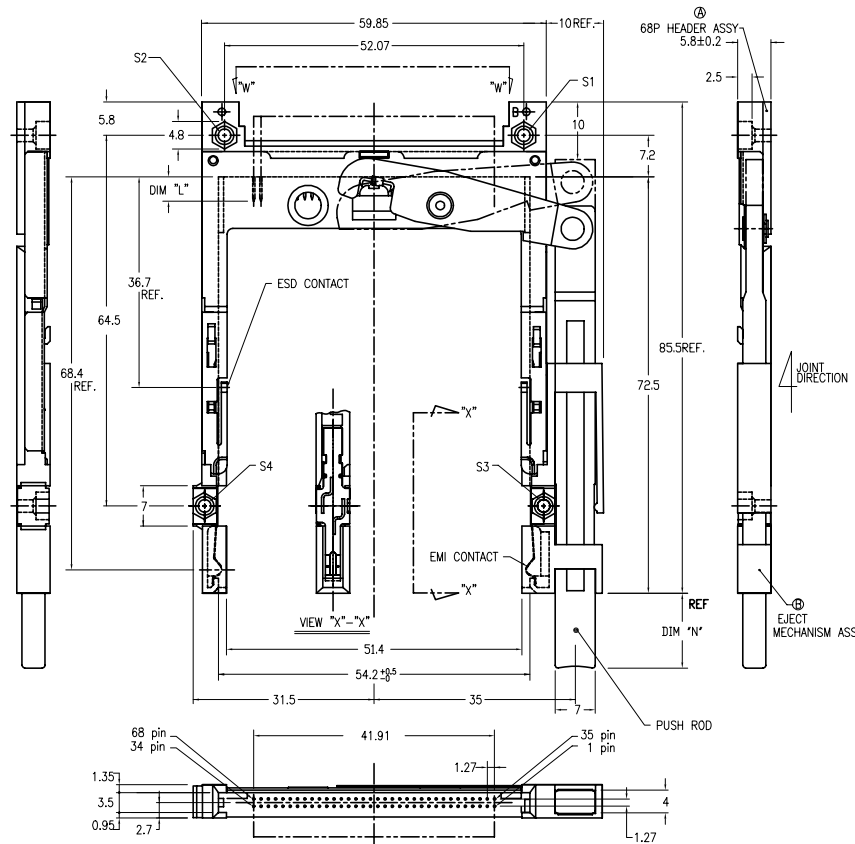
PIN No.	DIM "L"		
	4.25±0.1	3.5±0.1	5.0±0.1
OTHERS	36.67	17.34	36.51±0.08

STAND OFF HEIGHT

- SEE TA-946 FOR PCB LAYOUT.
- SEE 92140 FOR DETAILED HDR DIMENSION.
- SEE SHEET 1.2 REGARDING COMPONENTS.
- GENERAL TOLERANCE : ±0.3.
- PRODUCT SPEC:110-263

mat'l. code	surface	tolerance	projection	product family
	ISO1302	ISO1101 ISO406		PCMCIA
ltr ecn nodr date	tolerances unless otherwise specified			title
W	angle	0.X±0.3	MM	68P EJECTOR HEADER ASSY
	linear	0.XX±0.13	scale 1:1	FOR TYPE I/II/III (FOR 5.0V)
	0'±2'	0.XXX±0.051		
dr	M.Hasegawa	4/25/05		dwg no
engr	M.Hasegawa	4/25/05		sheet 8 of 10
chr	M.Hasegawa	4/25/05		size
app'd	M.Hasegawa	4/25/05		A4
sheet index	revision sheet			type Product Customer Drawing

PRODUCT NO.	92193-601CAH
92193-600CA/600CALF	92193-602CA
92193-600CAH/600CALF	92193-602CAH
92193-601CA	



NOTE

- EJECT FORCE 3.5Kg MAX.
- ASSY PROCESS
 - TO MOUNT PART ① ON PWB WITH SCREW (S1,S2) AND SOLDER.
 - TO JOINT PART ② INTO PART ③, THEN FIX PART ④ WITH 2 SCREWS (S3,S4).
- EJECT TRAVEL 8.0mm
- MATERIAL
 - PART ① (HEADER ASSY)
 - HOUSING : HIGH TEMPERATURE THERMOPLASTIC UL94V-0
 - PIN : PHOSPHOR BRONZE
 - PART ② (EJECT MECHANISM ASSY)
 - GUIDE : HIGH TEMPERATURE THERMOPLASTIC UL94V-0 BLACK
 - PUSH ROD : FLAME RETARDANT UL94V-0
 - PLATE : STAINLESS
 - EMI CONTACT : PHOSPHOR BRONZE
 - OPTIONAL HOLD-DOWN : BRASS

⑤ FINISH

- PIN
 - UNDER PLATING : 0.5µm MIN. Ni
 - CONTACT AREA : 0.076 µm MIN. GOLD
 - SOLDER TAIL : 2.5µm MIN. Sn-Pb OR 2.5µm MIN. PURE Sn.(FOR -*****LF)
- EMI CONTACT
 - UNDER PLATING : 2.0µm MIN. Ni
 - CONTACT AREA : 0.076 µm MIN. GOLD
- OPTIONAL HOLD-DOWN : 2.5µm MIN. PURE Sn

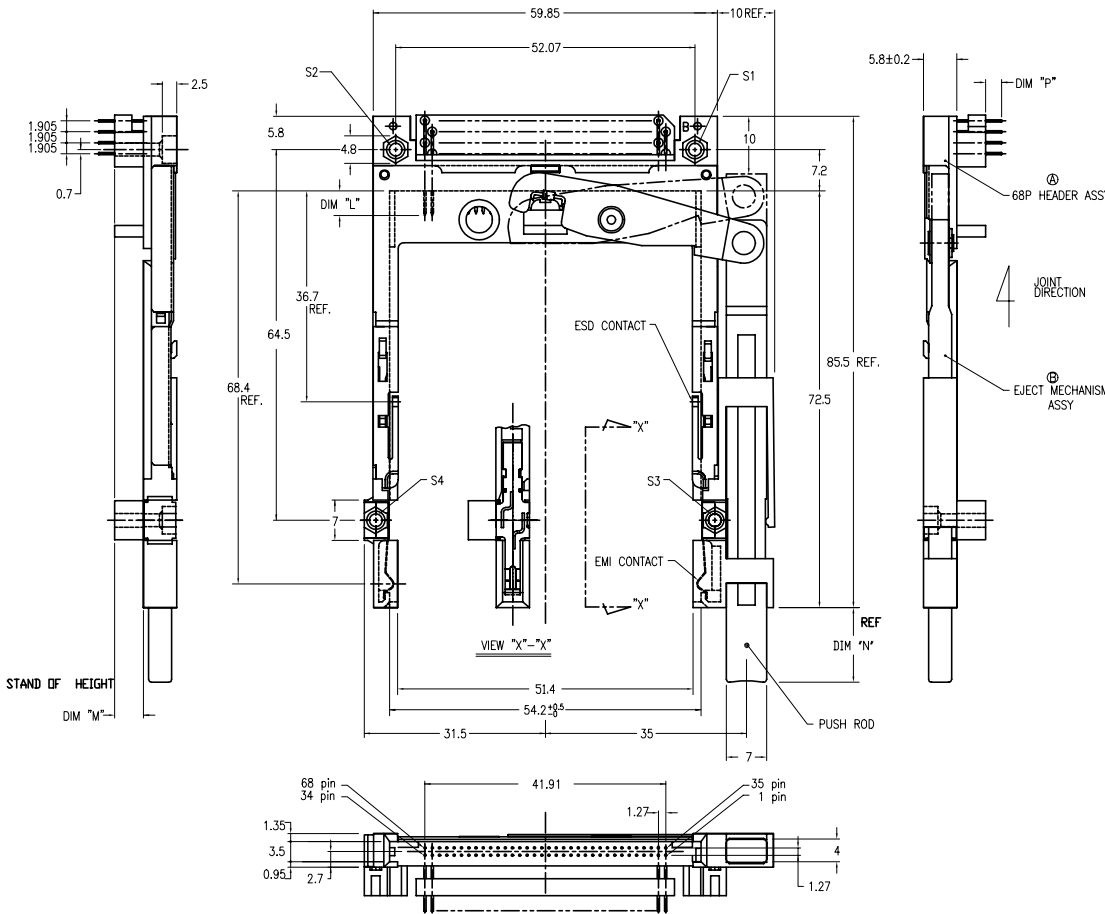
6. PIN NO.

	DIM "N"		
	4.25±0.1	3.5±0.1	5.0±0.1
PIN No.	OTHERS	36.67	117.34
			35.41±0.08

- SEE TA-946 FOR PCB LAYOUT.
- SEE 92140 FOR DETAILED HDR DIMENSION.
- SEE SHEET 1,2 REGARDING COMPONENTS.
- GENERAL TOLERANCE : ±0.3
- PRODUCT SPEC:110-263

mat'l. code	surface	tolerance	projection	product family
	ISO1302 ✓	ISO1101 ISO406		PCMCIA
ltr ecn nodr date	tolerances unless otherwise specified			title
W	angle	0.X±0.3	MM	68P EJECTOR HEADER ASSY
	0°±2'	0.XX±0.13	scale 1:1	FOR TYPE I/II/III (FOR 5.0V)
		0.XXX±0.051		dwg no
dr	M.Hasegawa	4/25/05		sheet 9 of 10 size
enr	M.Hasegawa	4/25/05		92193
chr	M.Hasegawa	4/25/05		A4
appd	M.Hasegawa	4/25/05		type Product Customer Drawing
sheet index	revision sheet			

PRODUCT NO.
92193-60CA/620CALF
92193-640CA/640CALF
92193-650CA/650CALF



- NOTE
- EJECT FORCE 3.5Kg MAX.
 - ASSY PROCESS
 - TO MOUNT PART ④ ON PWB WITH SCREW (S1,S2) AND SOLDER.
 - TO JOINT PART ⑤ INTO PART ④, THEN FIX PART ④ WITH 2 SCREWS (S3,S4).
 - EJECT TRAVEL 8.0mm
- ④ MATERIAL
- PART ④ (HEADER ASSY)
 - HOUSING : HIGH TEMPERATURE THERMOPLASTIC UL94V-0
 - PIN : PHOSPHOR BRONZE
 - PART ⑤ (EJECT MECHANISM ASSY)
 - GUIDE : HIGH TEMPERATURE THERMOPLASTIC UL94V-0 BLACK
 - PUSH ROD : FLAME RETARDANT UL94V-0
 - PLATE : STAINLESS
 - EMI CONTACT : PHOSPHOR BRONZE
 - STANDOFF : ZINC ALLOYS DIE CASTING
- ⑤ FINISH
- PIN
 - UNDER PLATING : 0.5µm MIN. Ni
 - CONTACT AREA : 0.076 µm MIN. GOLD
 - SOLDER TAIL : 2.5µm MIN. Sn-Pb OR 2.5µm MIN. PURE Sn.(FOR *****LF)
 - EMI CONTACT
 - UNDER PLATING : 2.0µm MIN. Ni
 - CONTACT AREA : 0.076 µm MIN. GOLD
 - STAND OFF : 3 ~ 5µm Ni, OVER 5 ~ 10µm Cu.
6. PIN NO.
- | | DIM 'L' | |
|---------|----------|---------|
| | 4.25±0.1 | 3.5±0.1 |
| PIN No. | OTHERS | 36.67 |
| | | 11.74 |
| | | 35.68 |
- SEE TA-946 FOR PCB LAYOUT.
 - SEE 92140 FOR DETAILED HDR DIMENSION.
 - SEE SHEET 1,2 REGARDING COMPONENTS.
 - GENERAL TOLERANCE : ±0.3
 - PRODUCT SPEC:110-263

mat'l. code	surface	tolerance	projection	product family
l	ISO1302	ISO1101 ISO406		PCMCIA
tr	ec	n	o	dr
date	tolerances unless otherwise specified		MM	title
	angle	0.X±0.3	MM	68P EJECTOR HEADER ASSY
		0.XX±0.13	scale 1:1	FOR TYPE I/II/III (FOR 5.0V)
	0°±2'	0.XXX±0.051		
dr	M.Hasegawa	4/25/05		dwg no
engr	M.Hasegawa	4/25/05		sheet 10 of 10
chr	M.Hasegawa	4/25/05		size
appd	M.Hasegawa	4/25/05		A4
sheet	revision			type
index	sheet			Product Customer Drawing