

HIGH-PERFORMANCE SUCCESSIVE DETECTION IF LOGARITHMIC AMPLIFIERS

MODEL: LIFD SERIES

FEATURES

- Up to 85 dB dynamic range
- ± 0.5 dB linearity
- Extended environmental limits
- Optimized chassis for VME format
- Different packaging options

OPTIONS

- Customized center frequencies and frequency agility
- Increased dynamic range
- Increased operating bandwidth
- Custom packaging
- Extended environmental limits
- Military screening



MODEL NUMBER	CENTER FREQUENCY (MHz)	3 dB BANDWIDTH (MHz)	DYNAMIC RANGE (dBm)	RISE TIME (ns)	FALL TIME (ns)
LIFD-1002P-80	10	2	-80 to 0	500	1000
LIFD-2105P-80	21.4	5	-80 to 0	200	600
LIFD-3010P-80	30	10	-80 to 0	100	300
LIFD-6020P-80	60	20	-80 to 0	50	150
LIFD-7030P-80	70	30	-80 to 0	30	90
LIFD-12020P-80	120	20	-80 to 0	50	150
LIFD-16040P-80	160	40	-80 to 0	30	90
WIDEBAND MODELS					
LIFD-300100P-70	300	100	-70 to 0	20	60
LIFD-450300P-70	450	300	-70 to 0	20	60

ADDITIONAL SPECIFICATIONS

The above models are available in 'A, B, G, K and M' housings.

Linearity measured at center frequency and 25°C is $\leq \pm 0.5$ dB.

Add ± 0.5 dB over operating temperature of -40 to +85°C and ± 0.5 dB over operating bandwidth.¹

Slope is 25 mV/dB nominal (15 mV/dB wideband models) at center frequency and 25°C.

Slope variations of $\pm 5\%$ will occur over operating temperature.

An additional $\pm 5\%$ variation will occur over operating bandwidth.¹

Video output is DC coupled and rated into 93 Ω .

Input impedance is 50 Ω (VSWR < 1.5:1 typical).

Power: +12 VDC at 65 mA typical, -12 VDC at 120 mA typical.

ORDER OPTIONS

For ± 15 VDC, add suffix "C".

For limited IF output at 0 dBm nominal, (VSWR < 2.0:1 typical) add suffix "L".

Typical part number: LIFD-6020P-80BCL (for 'B' housing at ± 15 VDC with limited IF output).

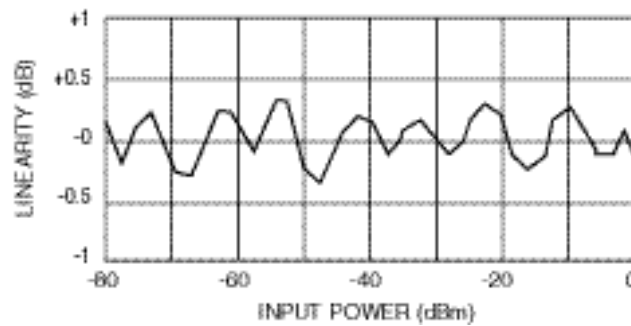
Note:¹ Wideband models are operational over specified bandwidth and have typically greater 3 dB bandwidths.

NOTE: FOR MODIFICATION OF OUR STANDARD MODELS, PLEASE CONSULT FACTORY.



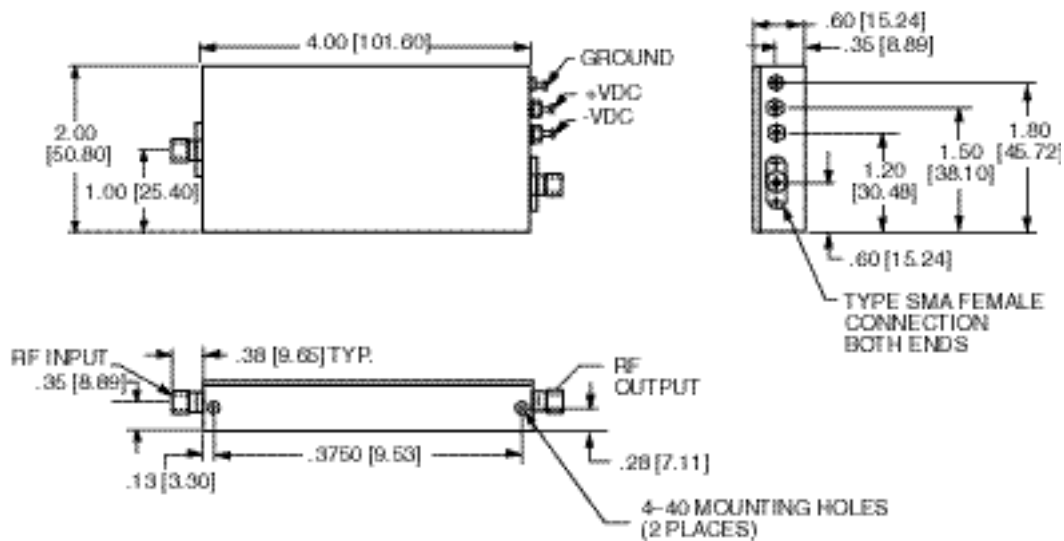
LIFD SERIES TYPICAL TEST DATA

LOGGING ACCURACY
(LIFD-3010P-80MC)



LIFD SERIES OUTLINE DRAWINGS

OUTLINE A

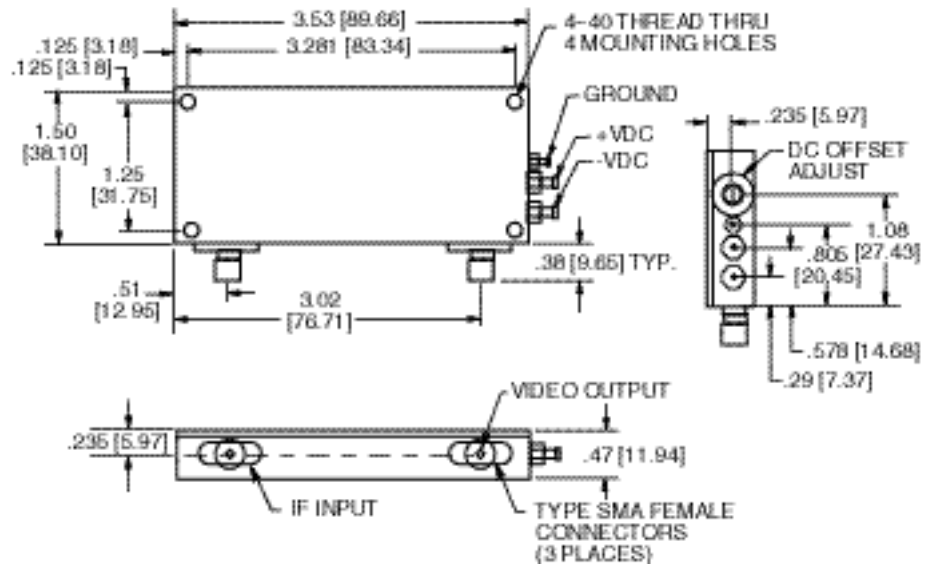


NOTE: DIMENSIONS SHOWN IN BRACKETS [] ARE IN MILLIMETERS.

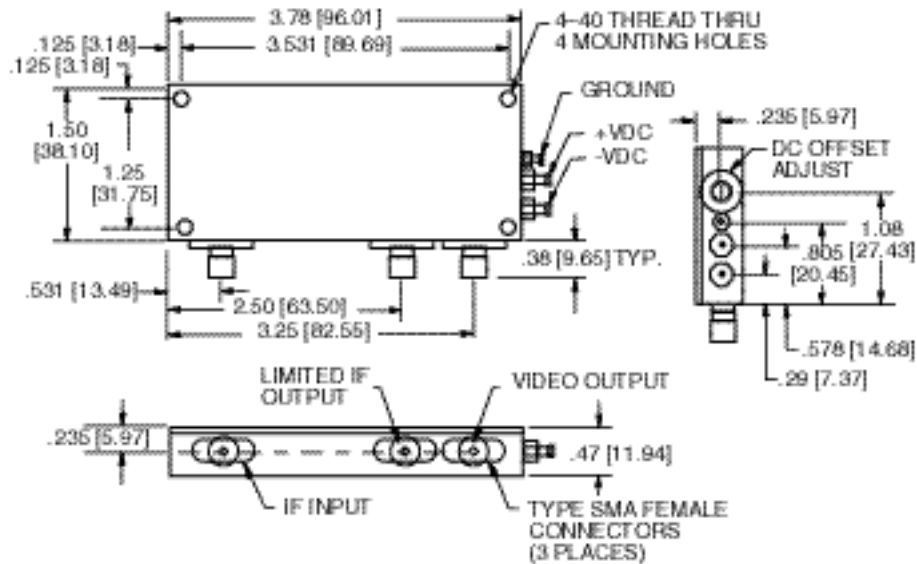


LIFD SERIES OUTLINE DRAWINGS

OUTLINE B



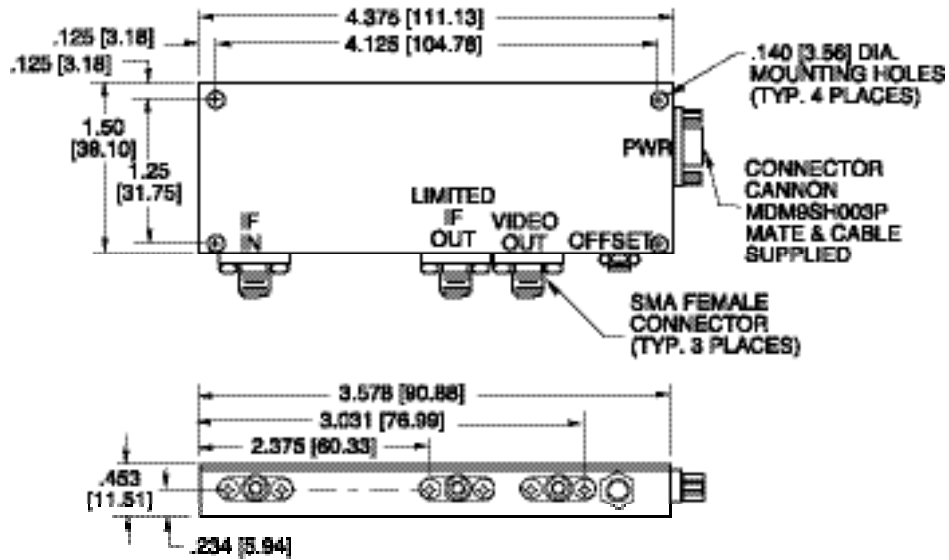
OUTLINE G*



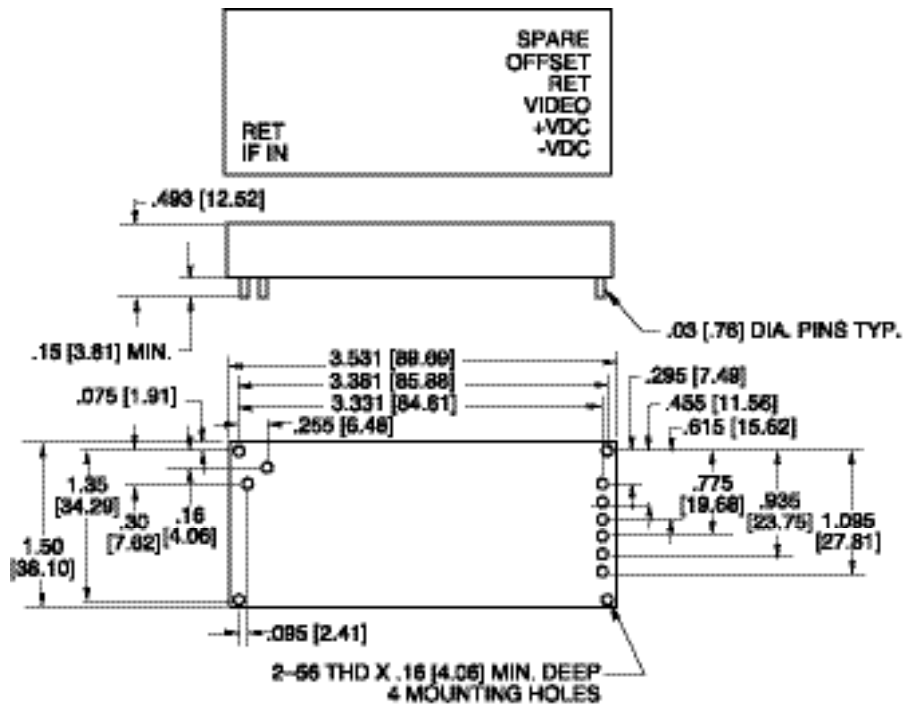
NOTE: DIMENSIONS SHOWN IN BRACKETS [] ARE IN MILLIMETERS.
 * ABOVE DRAWING INCLUDES LIMITED IF OUTPUT (OPTIONAL).

LIFD SERIES OUTLINE DRAWINGS

OUTLINE K*



OUTLINE M



NOTE: DIMENSIONS SHOWN IN BRACKETS [] ARE IN MILLIMETERS.
 * ABOVE DRAWING INCLUDES LIMITED IF OUTPUT (OPTIONAL).