



75 Ohm SMB Positive Snap Plug Right Angle Connector  
Crimp/Solder Attachment For RG179, RG187

TECHNICAL DATA SHEET

PE44445

**75 Ohm SMB Positive Snap Plug Right Angle Connector Crimp/Solder Attachment For RG179, RG187**

**Configuration**

Connector	SMB Positive Snap Plug
Connector Interface Type	RG179, RG187
Cable Attachment Method (Shield/Contact)	Crimp/Solder
Body Style	Right Angle

**Electrical Specifications**

Impedance, Ohms	75
-----------------	----

**Mechanical Specifications**

**Size**

Length, in [mm]	0.875 [22.23]
Width/Dia., in [mm]	0.4 [10.16]
Height, in [mm]	0.78 [19.81]
Weight, lbs [g]	0.027 [12.25]

**Connector**

Type	SMB Positive Snap Plug
Contact Material and Plating	Gold
Body Material and Plating	Brass, Nickel
Dielectric Type	PTFE

**Compliance Certifications** (visit [www.Pasternack.com](http://www.Pasternack.com) for current document)

RoHS Compliant	Yes
----------------	-----

**Plotted and Other Data**

Notes:	Values at 25 °C, sea level
--------	----------------------------

75 Ohm SMB Positive Snap Plug Right Angle Connector Crimp/Solder Attachment For RG179, RG187 from Pasternack Enterprises has same day shipment for domestic and International orders. Our RF, microwave and fiber optic products maintain a 99% availability and are part of the broadest selection in the industry.

Click the following link (or enter part number in "SEARCH" on website) to obtain additional part information including price, inventory and certifications: [75 Ohm SMB Positive Snap Plug Right Angle Connector Crimp/Solder Attachment For RG179, RG187 PE44445](http://www.pasternack.com/smb-positive-snap-plug-standard-rg179-rg187-connector-pe44445-p.aspx)

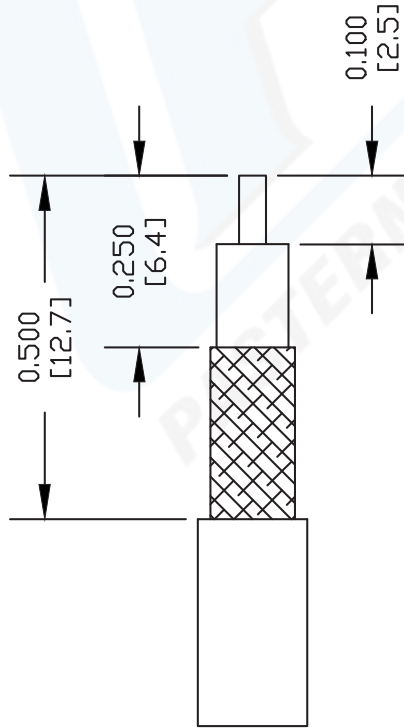
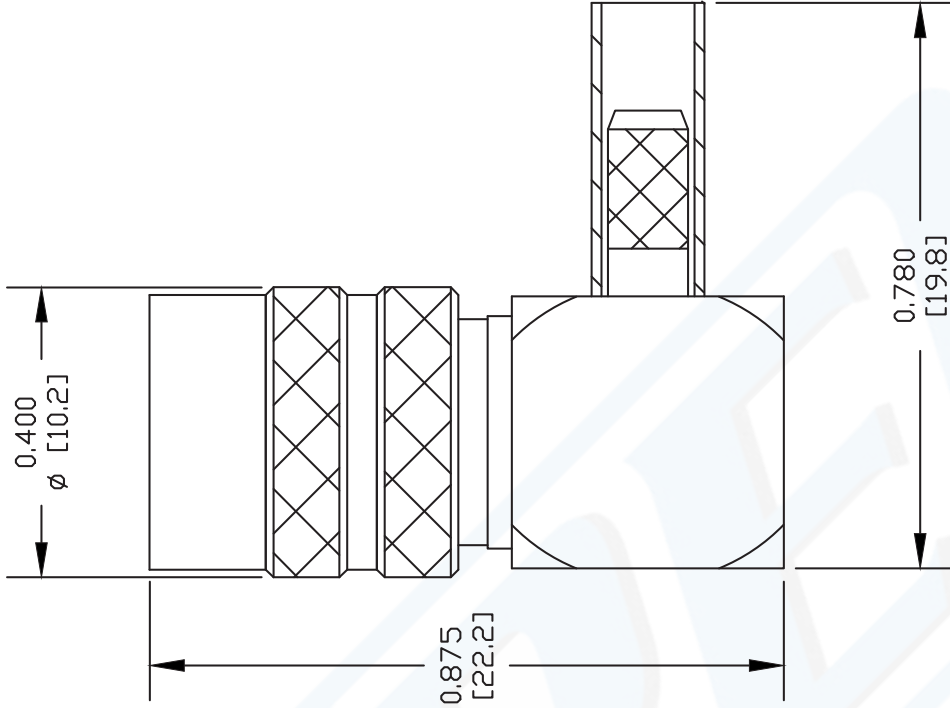
URL: <http://www.pasternack.com/smb-positive-snap-plug-standard-rg179-rg187-connector-pe44445-p.aspx>

The information contained in this document is accurate to the best of our knowledge and representative of the part described herein. It may be necessary to make modifications to the part and/or the documentation of the part, in order to implement improvements. Pasternack reserves the right to make such changes as required. Unless otherwise stated, all specifications are nominal.



# PE44445 CAD Drawing

75 Ohm SMB Positive Snap Plug Right Angle Connector  
Crimp/Solder Attachment For RG179, RG187



### STRIPPING DIMENSIONS

### ASSEMBLY PROCEDURES

1. STRIP CABLE AS SHOWN & SLIDE FERRULE OVER CABLE.
2. INSTALL CABLE INTO BODY OF CONNECTOR AND SOFT SOLDER CENTER CONDUCTOR IN PLACE.
3. CRIMP FERRULE & PRESS CAP DOWN.

### CRIMP SIZE REQUIRED

FERRULE: .128" HEX CRIMP TOOL



**PASTERNAK**<sup>®</sup>  
Pasternack Enterprises, Inc.  
P.O. Box 16759 | Irvine | CA | 92623  
Phone: (949) 261-1920 | Fax: (949) 261-7451  
Website: [www.pasternack.com](http://www.pasternack.com) | E-Mail: [sales@pasternack.com](mailto:sales@pasternack.com)

DWG TITLE

**PE44445**

FSCM NO. 53919

NOTES:  
1. UNLESS OTHERWISE SPECIFIED ALL DIMENSIONS ARE NOMINAL.  
2. ALL SPECIFICATIONS ARE SUBJECT TO CHANGE WITHOUT NOTICE AT ANY TIME.  
3. DIMENSIONS ARE IN INCHES [mm].  
4. FITS MIL-C-17 AND EQUIVALENT CABLES.

CAD FILE 092804

SCALE N/A

SIZE A

127