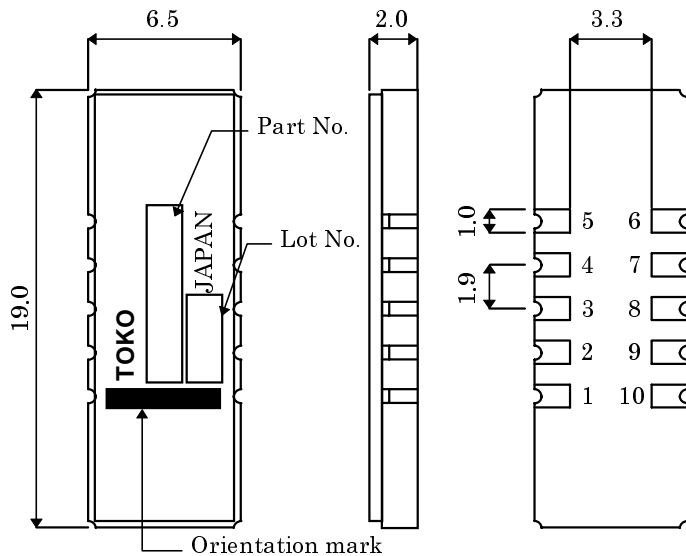


1. Dimensions



Unit: mm

Input: 10
 Output: 5
 Ground: 1,2,3
 4,6,7
 8,9

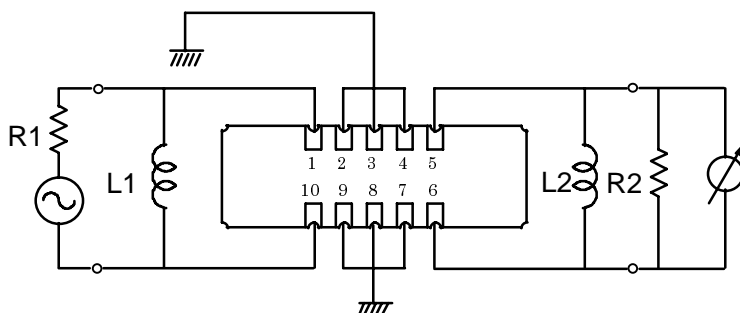
Tolerance: ± 0.2

2. Electrical characteristics

	Parameter	Unit	Min.	Typ.	Max.
2.1	Center frequency (Fo)	MHz	109.80		
2.2	Passband width (at 5dB)	MHz	$F_o \pm 0.615$	1.300	
2.3	Stopband attenuation				
	$F_o \pm 0.90$ MHz	dB	33	39.1	
	$F_o \pm 1.70$ MHz	dB	32	34.6	
2.4	Passband ripple (at $F_o \pm 0.30$ MHz)	dB		0.23	0.7
2.5	Insertion loss at Fo	dB		13.7	15.0
	Triple Transit Suppression	dB	30	35.1	
2.6	Phase Linearity (at $F_o \pm 0.40$ MHz) [RMS]	Deg.		1.25	3.5
2.7	Maximum input power	dBm			10
2.8	Operating temperature	$^{\circ}$ C	-30	25	80
2.9	Load Impedance	Ω //pF	source : 498 // -15.2		
		Ω //pF	load : 261 // -15.6		

[Note: All tests made with triple transit removed]

3. Test circuit (Bottom View)



R1 = 520 Ω
 R2 = 250 Ω

L1 = 115 nH
 (FSLU2520 82NK + 33NK)
 L2 = 115 nH
 (FSLU2520 82NK + 33NK)

4. Frequency response

