

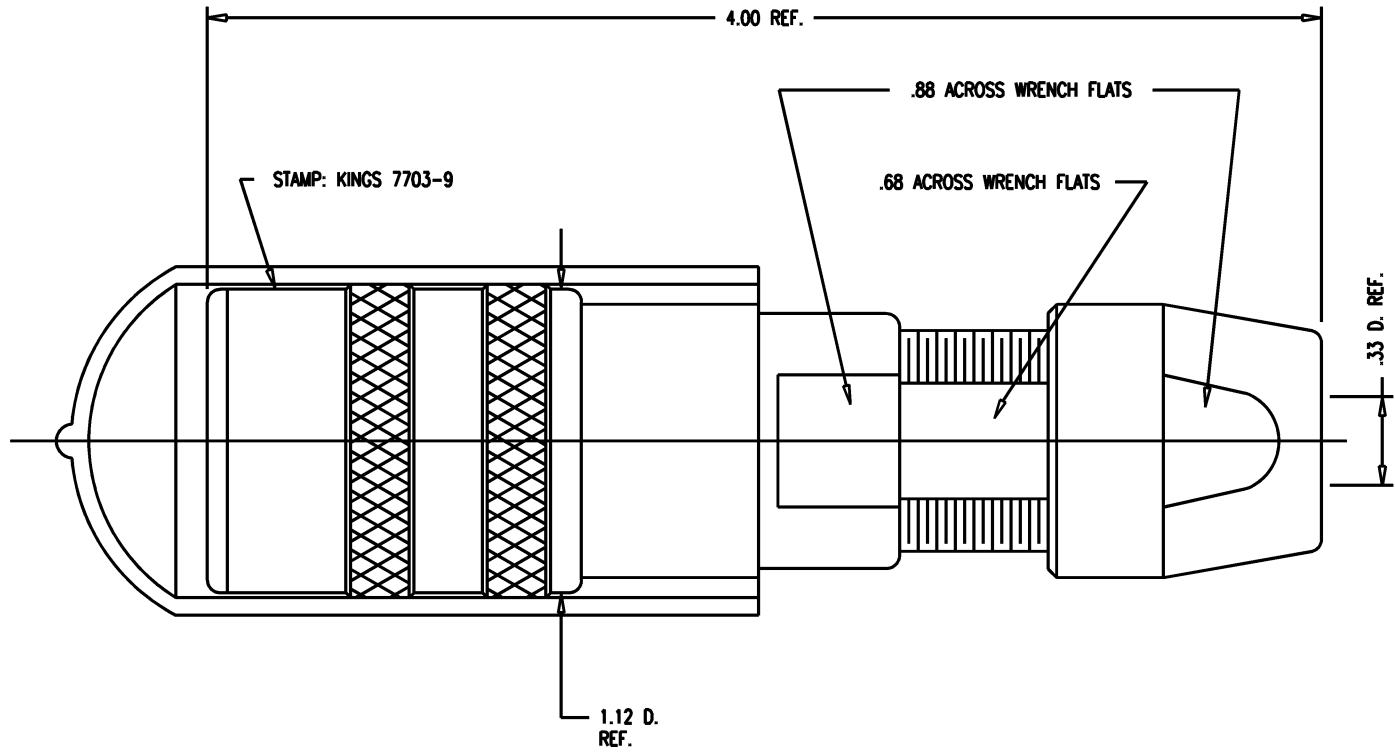
DASH NO.	M CODE	MADE FROM
----------	--------	-----------

GSD

7703-9

REVISIONS	
ISSUE	CHANGES

0	ER 37271 KH 02/27/97
---	-------------------------



7703-9SD

NOTES:

- FOR USE WITH 760 CABLE GROUP.
- FOR CABLING INSTRUCTIONS SEE KAI-8010.
- FOR CRIMPING USE KTH-1000 AND KTH-2002.
- MATERIALS:**
 INSULATORS: TEFLON, ASTM-D-4894
 GASKETS: SILICONE RUBBER, ZZ-R-765
 CAP: VINYL
 K-GRIP SLEEVE: COM'L BRONZE, ASTM-B-135
 CENTER CONTACT
 OUTER CONTACT SPRING } BER. COPPER, ASTM-B-196
 INSERT
 ALL OTHER METAL PARTS: BRASS, ASTM-B16

- FINISHES:**
 CENTER CONTACT
 OUTER CONTACT SPRING } GOLD PLATE PER MIL-G-45204
 NUTS
 COLLET } KINGS TARNISH RESISTANT NICKEL FINISH (TR-5)
 BODIES }
 ALL OTHER METAL PARTS: SILVER PLATE PER QQ-S-365
- ELECTRICAL CHARACTERISTICS:**
 NOMINAL IMPEDANCE: 75 OHMS
 FREQUENCY RANGE: DC-500 MHZ
 VOLTAGE BREAKDOWN: CENTER CONDUCTOR/INNER GROUND: 1500 VRMS
 INNER GROUND/OUTER GROUND: 500 VRMS

SCALE 2:1

APPROX SURFACE AREA

USED ON

REF: KP-8020-760-400

JK, TRI-LOC,
SERIAL DIGITAL

DRAWN	KH	DATE	02/27/97
-------	----	------	----------

DESIGN	LJ	DATE	02/28/97
--------	----	------	----------

APPR.	FH	DATE	02/28/97
-------	----	------	----------

KINGS
ELECTRONICS CO., INC.
TUCKAHOE, NEW YORK 10707

7703-9

GSD