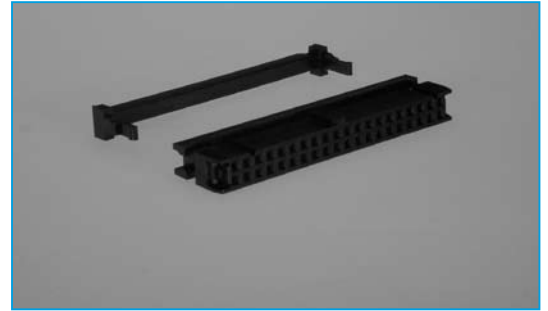


IDC

- Industry Compatible
- Competitively Priced
- Complete with Strain Relief and Centre Bump
- Gold Plated Contacts
- 2.54mm Pitch

IDC CABLE SOCKET



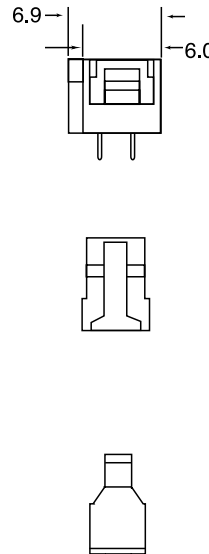
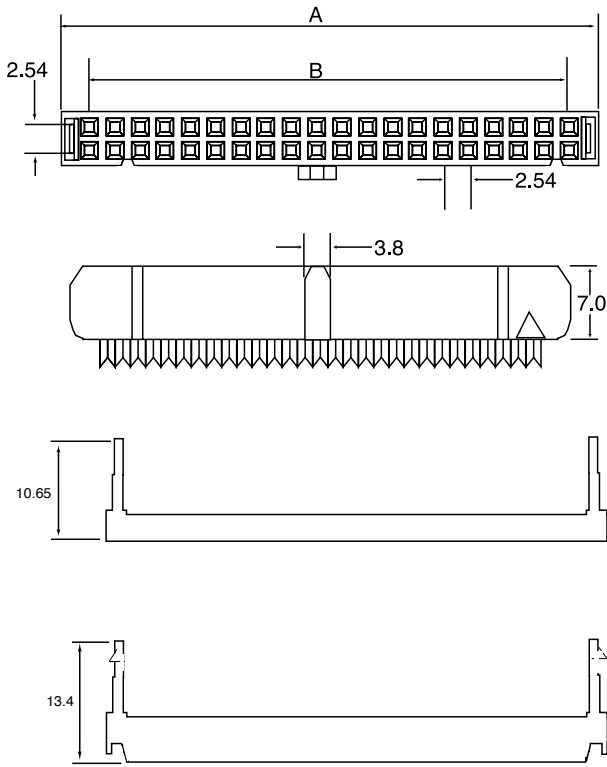
SPECIFICATION

Material & Finish

| | |
|----------------------------|---------------------------------------|
| Contact Material: | Brass |
| Insulator Material: | PBT & Glass-Fibre Reinforced UL-94V-0 |
| Current Rating: | 1 A DC |
| Contact Resistance: | 30M Ω Max |

| | |
|--------------------------------|------------------------|
| Insulator Resistance: | 3000M Ω Min |
| Dielectric Withstanding | |
| Voltage: | 500V AC for One Minute |
| Operating Temperature: | -40°C to + 105°C |

OUTLINE DRAWING



| Position | A | B |
|----------|-------|-------|
| 6 | 12.18 | 5.08 |
| 8 | 14.72 | 7.62 |
| 10 | 17.26 | 10.16 |
| 12 | 19.80 | 12.70 |
| 14 | 22.34 | 15.24 |
| 16 | 24.88 | 17.78 |
| 20 | 29.96 | 22.86 |
| 24 | 35.04 | 27.94 |
| 26 | 37.58 | 30.48 |
| 30 | 42.66 | 35.56 |
| 34 | 47.74 | 40.64 |
| 36 | 50.28 | 43.18 |
| 40 | 55.36 | 48.26 |
| 44 | 60.44 | 53.34 |
| 50 | 68.06 | 60.96 |
| 56 | 75.68 | 68.58 |
| 60 | 80.76 | 73.66 |
| 62 | 83.30 | 76.20 |
| 64 | 85.84 | 78.74 |

SECTION 15

ORDERING INFORMATION

| DBC | IDC | 2 | 06 | A | S | 1 |
|---------------------|---------------|--------|--|------------------|-------------------|---------------------|
| Dubilier Connectors | IDC Connector | Series | N° of Ways | Contact Material | Contact Plating | Colour |
| | | | 06=6way 08=8way 10=10way 12=12way 14=14way 16=16way 20=20way 24=24way 26=26way 30=30way | A=Brass | S= Selective Gold | 1=Black 2 = Grey |
| | | | 34=34way 36=36way 40=40way 44=44way 50=50way 56=56way 60=60way 62=62way 64=64way | | | |