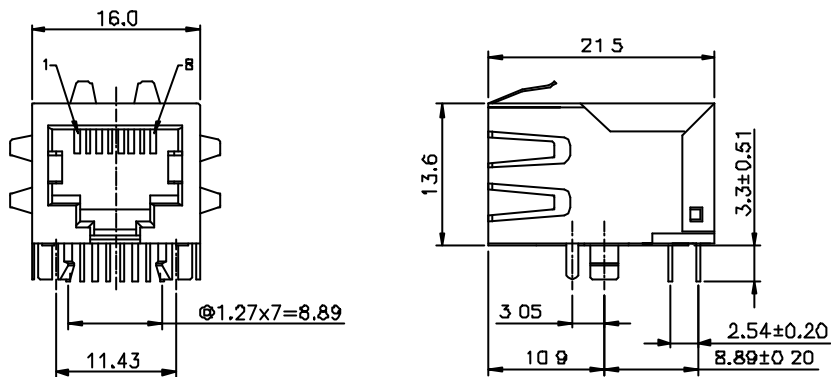
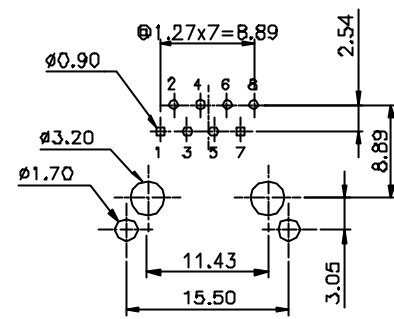


A1RFRD10



REVISION RECORD				
REV	ECO	DESCRIPTION	DRFT	CHKD
△		P/N MODIFY	Andy	08/19/03



PC Board Layout Component Side Shown t=1.6mm

**NOTES:**

**Characteristics Description:**

1. RJ45 10/100 Base-Tx Transformer Jack With Transformer/ Impedance Resistor
2. Size Same As RJ-45 Modular Jack To Save PCB Board Space.
3. Reduce EMI Radiation, Improve EMI Performance.
4. Designed For Network Interface Card Application.
5. Designed To Meet IEEE 802.3u Requirement.
6. Designed For 100 Base Transmission over UTP-5 Cable.
7. Operation Temperature Range: 0°C To 70°C

**Electrical Specification:**

1. Inductance At 100 KHZ, 100 mV DC Bias: 350 uH MIN
2. Insertion Loss: 1.4 dB MAX @ 1-100 MHZ
3. Return Loss: 16 dB MIN @ 30 MHZ  
12 dB MIN @ 60 MHZ  
10 dB MIN @ 80 MHZ
4. Cross Talk: 40 dB MIN @ 32 MHZ  
35 dB MIN @ 62 MHZ  
35 dB MIN @ 100 MHZ

**Mechanical:**

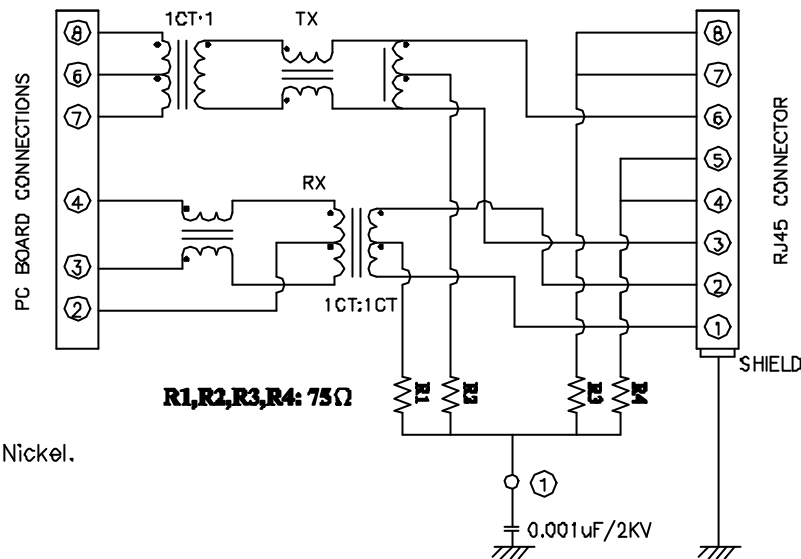
- |                              |  |
|------------------------------|--|
| 1. Housing Material          | : Glass Filled Polyester UL94V-0.  |
| 2. Contact Material          | : Phosphor Bronze t=0.35mm.  |
| 3. Plating                   | : 1: Contact Area- Selectine Gold Plating.<br>2: Tails- 150u" Tin-Lead Min Over 50u" Nickel. |
| 4. Operating Life            | : 750 Cycles Min.  |
| 5. Pcb Retention Pre-Solder  | : 1 Lb Min.  |
| 6. Pcb Retention Post-Solder | : 10 Lbs Min.  |

**Environmental:**

1. Storage : -40°C To +85°C.
- Mates With Modular Plug Conforming To Fcc Part 68, Subpart F.
- Part Number: E5TAB-XX0CYX △

- |  |         |         |         |
|--|---------|---------|---------|
| Y4-NICKEL                                  | 1- 3u"  | 2- 6u"  | 3- 15u" |
| Y5-NICKEL PLATED WITH TINNED GROUNDING PEG | 4- 30u" | 5- 50u" |         |

**Schematic:**



← MM (INCH) →	DFTD Andy	DATE 8/18/03
TOLERANCES EXCEPT AS NOTED	CHKD CH	DATE 6/19/03
MATERIALS	MFO LMJ	DATE 6/19/03
APPROVAL	DATE 6/19/03	
QUANTITY :		
FINISH :		
SCALE : 2 : 1		

FULL RISE ELECTRONIC CO., LTD

TITLE TRANSFORMER PCB JACK (T-type)		
DRAWING NO. G5T3A06	SIZE A3	REV 1
/PART NO. SEE NOTE		
DID NOT SCALE DRAWING		SHEET 1 OF 1