



# Integrated 1x4 Gigabit RJ45

LANDatacom

### Typical Electrical Characteristics

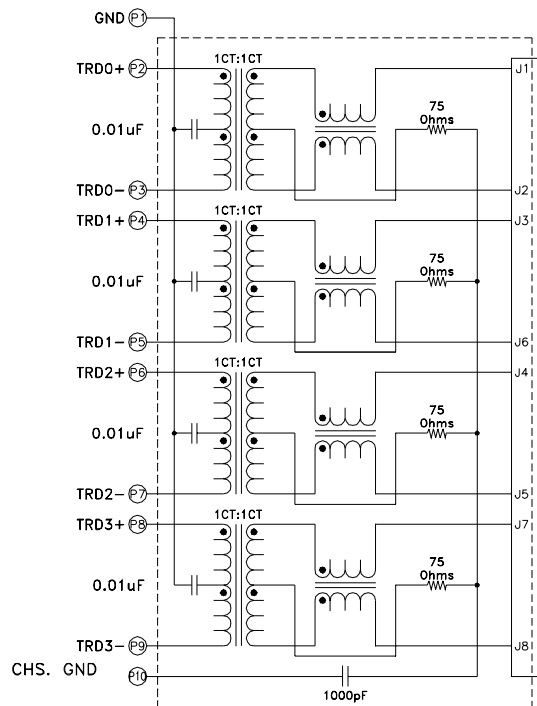
Inductance	350uH Min.	0.1Vrms, 100kHz, 8mADC
Dielectric Rating	1500VAC	for 1 minute
Turns Ratio	1:1	±2%
Insertion Loss	-1.1dB max.	1MHz-100MHz
Return Loss	-18dB min.	1MHz-40MHz
	-14dB min.	60MHz
	-12dB min.	80MHz
	-10dB min.	100 MHz
Crosstalk	-30dB typ.	1MHz-100MHz
Common Mode Rejection	-35dB min.	1MHz-100MHz

Note1: Electrical Characteristics for individual part may vary; see specification sheet for actual values.

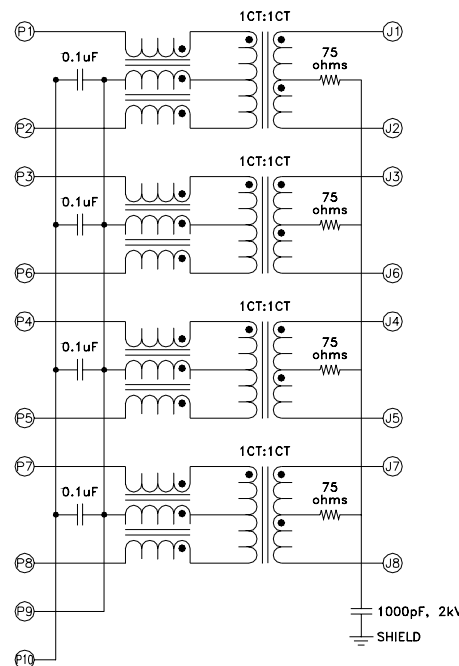
### Features

- Through Hole
- Optional PoE compatible designs
- Operating Temperature 0°C to 70°C
- Optional pin-outs and LEDs
- Industry standard connector footprint
- Optimum performance
- Cost Effective
- Both RoHS compliant and lead-terminal parts available

Part Number	LED (left-right)	Tab Direction	EMI Tabs	Mechanical	Schematic
MIC38712-0151W	Green-Green	Down	Yes	1	1
MIC38710-5157W	None-None	Down	Yes	2	2



Schematic 1



Schematic 2

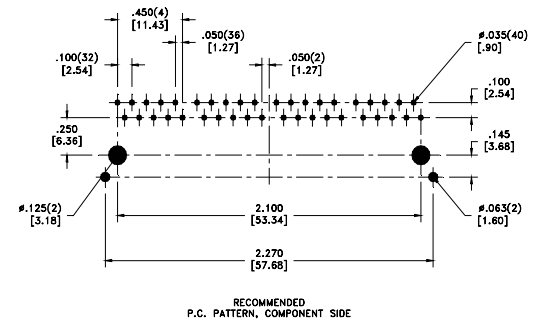
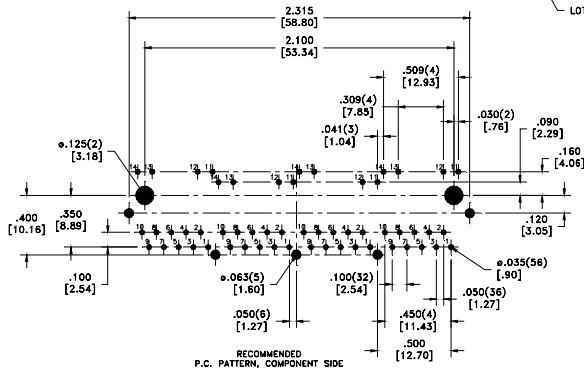
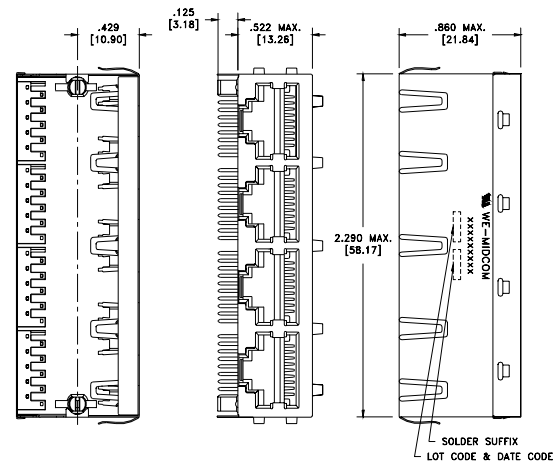
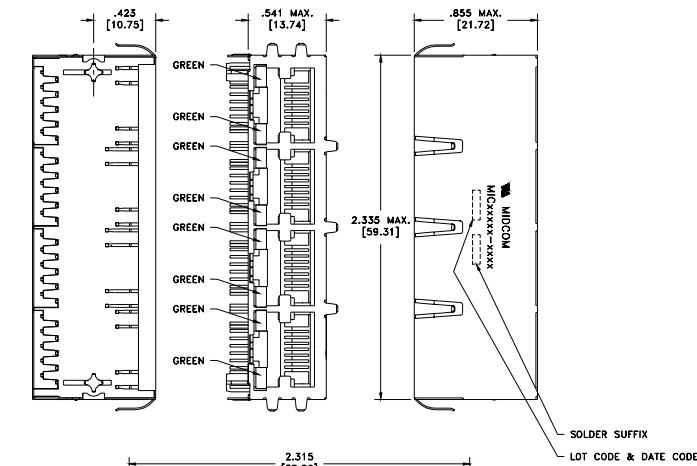


**Integrated 1x4  
Gigabit RJ45**

LANDatacom

**Mechanical 1**

**Mechanical 2**



Details subject to change. Contact your Midcom sales representative for additional information. Dimensions: in/mm. All tolerances are ± .010/0.25 and electrical specifications are @ 25°C unless otherwise specified.