

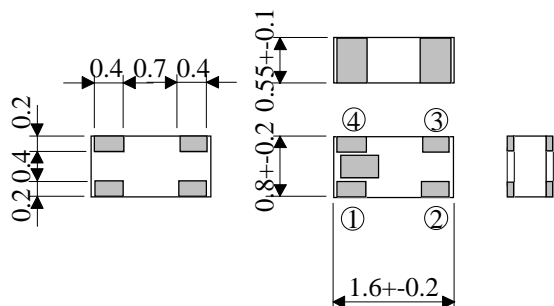
# EHF FD1775G, H, J, K, L Directional Coupler

[Dimensions] unit : mm

[Pin Assignment]

<Bottom View>

<Top & Side View>



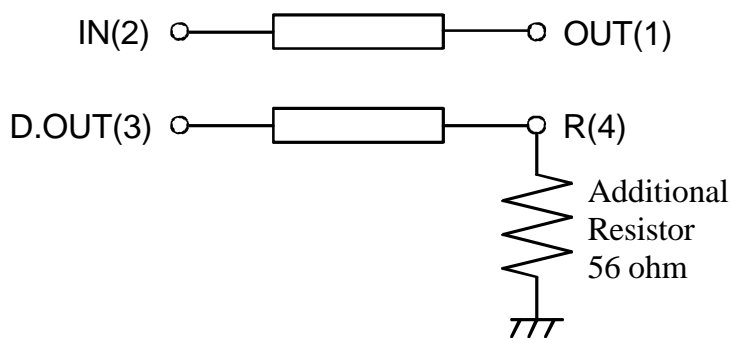
No.	
1	OUT
2	IN
3	D. OUT
4	R

[Characteristics]  $T_a=25^{\circ}\text{C}$

No.	Item	Specification				
		FD1775G	FD1775H	FD1775J	FD1775K	FD1775L
1	Frequency (MHz)	1750- 1950	1750- 1950	1750- 1950	1750- 1950	1750- 1950
2	Insertion Loss (OUT) dB	3.7 max	2.0 max	0.95 max	0.4 max	0.25 max
3	Coupling (D. OUT) dB	4.5 max	6+-1	10+-1	14+-1	17+-1
4	Isolation (dB)	15 min	17 min	16 min	23 min	27 min
5	V.S.W.R.	1.6 max	1.3 max	1.3 max	1.3 max	1.3 max

[Equivalent Circuit]

[Recommended Land Size]



unit : mm

