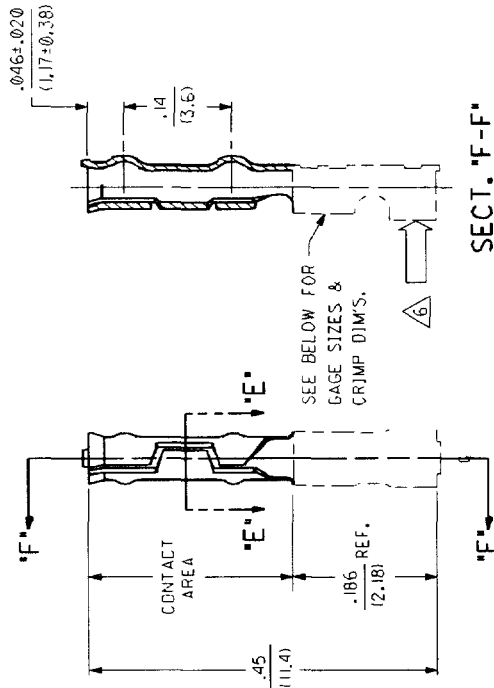
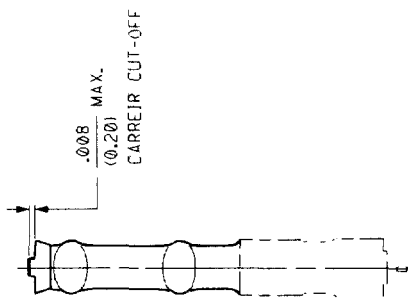


SECT. "E-E"

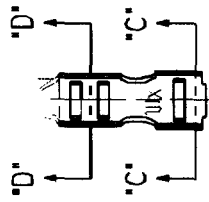


SECT. "F-F"

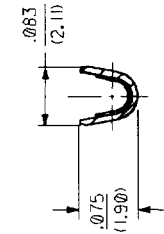
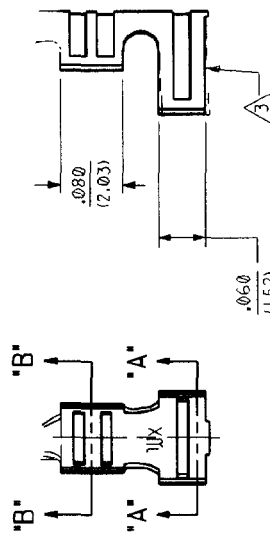


CROSS SECTION OF .045/(1.14) SQUARE PIN FOR USE WITH .053/(1.35) BARREL I.D.

24-30 AWG WIRE



18-24 AWG WIRE



SECT. "C-C"

SECT. "D-D"

DIMENSIONS SHOWN METRIC IN PARENTHESES UNLESS OTHERWISE INDICATED

SIZE	INCH	MILLIMETER
2 RANGE	± .010	± 0.25
3 RANGE	± .014	± 0.35
4 RANGE	± .018	± 0.45

DATE: 10/13/00
 DRAWN BY: J. RAS
 CHECKED BY: G. P. RAS
 SCALE: 8:1

REVISIONS

NO.	DATE	DESCRIPTION
2	AK2	REV. 8 - REDRAWN
1	AK2	REV. 10 - 10/13/00
1	AK2	REV. 9 - 8-87 RW

REVISE ONLY ON CAD SYSTEM

CRIMP TERMINAL, FEMALE FOR .045/(1.14) PINS 18 THRU 30 GAGE WIRE

MOLEX INCORPORATED

DATE: 10/13/00

1 OF 2

9/ 7/87

SECT. "A-A"

SECT. "B-B"

SECT. "C-C"

SECT. "D-D"

SEE CHART SD-2107

MOLEX INCORPORATED

DATE: 10/13/00

1 OF 2

9/ 7/87

THESE TERM'S. MATE WITH
(.14)/.045 SQUARE PIN

THESE TERM'S. MATE WITH
(.14)/.045 ROUND PIN

PART NO.	ENG. NO.	OLD ENG. NO.	PART NO.	ENG. NO.	OLD ENG. NO.
02-05-1116	2107-1B6N1	2107-T	02-05-1115	2107-1B6P1	2107-1P901
02-05-1117	2107-1B6N2	2107-TL	02-05-1119	2107-1B6P2	2107-1P901L
02-05-1104	2107-1B5N1	1929-T	02-05-1106	2107-1B5P1	
02-05-1105	2107-1B5N2	1929-TL	02-05-1107	2107-1B5P2	
02-05-5104	2107-1D5N1	1929-G1	REL. TO MFG.	2107-1D5P1	
02-05-5117	2107-1D5N2	1929-G1	REL. TO MFG.	2107-1D5P2	
02-05-5118	2107-1G5N1	1929-G2	REL. TO MFG.	2107-1G5P1	
02-05-5119	2107-1G5N2	1929-G1	REL. TO MFG.	2107-1G5P2	
02-05-5115	2107-1D6N1	2107-G1	REL. TO MFG.	2107-1D6P1	
02-05-5116	2107-1D6N2	2107-G1	REL. TO MFG.	2107-1D6P2	
02-05-3216	2107-2A6N1	2125-1999	REL. TO MFG.	2107-2A6P1	
02-05-3204	2107-2A6N2	2125-1999L	REL. TO MFG.	2107-2A6P2	
02-05-3205	2107-2A5N1	2123	REL. TO MFG.	2107-2A5P1	
02-05-3206	2107-2A5N2	2123-L	REL. TO MFG.	2107-2A5P2	
02-05-1204	2107-2B5N1	2123-T	02-05-1207	2107-2B5P1	
02-05-1205	2107-2B5N2	2123-TL	02-05-1208	2107-2B5P2	
02-05-1206	2107-2C5N1	2123-G1	02-05-5221	2107-2C5P1	
02-05-1207	2107-2C5N2	2123-G1	REL. TO MFG.	2107-2C5P2	
02-05-1216	2107-2B6N1	2125-T	REL. TO MFG.	2107-2B6P1	
02-05-1217	2107-2B6N2	2125-TL	REL. TO MFG.	2107-2B6P2	
02-05-5216	2107-2C6N1	2125-G1	02-05-5223	2107-2C6P1	
02-05-5217	2107-2C6N2	2125-G1	REL. TO MFG.	2107-2C6P2	
REL. TO MFG.	2107-1E5N1		REL. TO MFG.	2107-1E5P1	
REL. TO MFG.	2107-1E5N2		REL. TO MFG.	2107-1E5P2	
REL. TO MFG.	2107-1E6N1		REL. TO MFG.	2107-1E6P1	
REL. TO MFG.	2107-1E6N2		REL. TO MFG.	2107-1E6P2	
			02-05-5330	2107-2F5P1	
			REL. TO MFG.	2107-2F5P2	
			02-05-5332	2107-2F6P1	
			REL. TO MFG.	2107-2F6P2	
			02-05-5340	2107-2H6P1	

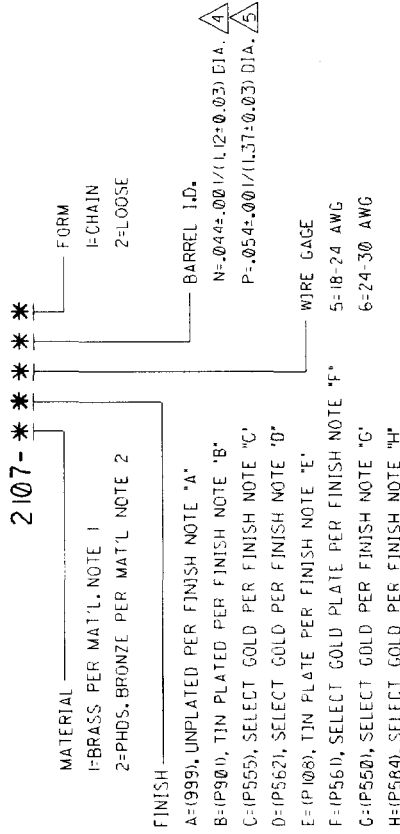
FINISH NOTES:

- A. (P99) UNPLATED
- B. (P90) HOT TIN DIP .000020/(.00005) MIN.
- C. (P55) SELECT GOLD PLATE .000015/(.00038) MIN. IN CONTACT AREA OVER .000030/(.00076) MIN. NICKEL OVERALL.
- D. (P56) SELECT GOLD PLATE .000020/(.00051) MIN. IN CONTACT AREA OVER .000030/(.00076) MIN. NICKEL OVERALL.
- E. (P108) ELECTRO TIN PLATE .000035/(.00089) MIN. OVER .000020/(.00051) MIN. COPPER OVERALL.
- F. (P56) SELECT GOLD PLATE .000030/(.00076) MIN. IN CONTACT AREA OVER .000050/(.00127) MIN. NICKEL OVERALL.
- G. (P55) SELECT GOLD PLATE .000015/(.00038) MIN. IN CONTACT AREA OVER .000030/(.00076) MIN. NICKEL OVERALL WITH .000010/(.00025) MAX. GOLD FLASH OVERALL.
- H. (P58) SELECT GOLD PLATE .000015/(.00038) MIN. IN CONTACT AREA OVER .000030/(.00076) MIN. NICKEL OVERALL WITH .000075/(.00190) MIN. TIN-LEAD IN CRIMP AREA.

THESE TERM'S. MATE WITH
(.14)/.045 SQUARE PIN

PART NO.	ENG. NO.	OLD ENG. NO.	PART NO.	ENG. NO.	OLD ENG. NO.
02-05-1115	2107-1B6P1	2107-1P901	02-05-1115	2107-1B6P1	2107-1P901
02-05-1119	2107-1B6P2	2107-1P901L	02-05-1106	2107-1B5P1	
02-05-1107	2107-1B5P2		02-05-1107	2107-1B5P2	
REL. TO MFG.	2107-1D5P1		REL. TO MFG.	2107-1D5P1	
REL. TO MFG.	2107-1D5P2		REL. TO MFG.	2107-1D5P2	
REL. TO MFG.	2107-1G5P1		REL. TO MFG.	2107-1G5P1	
REL. TO MFG.	2107-1G5P2		REL. TO MFG.	2107-1G5P2	
REL. TO MFG.	2107-1D6P1		REL. TO MFG.	2107-1D6P1	
REL. TO MFG.	2107-1D6P2		REL. TO MFG.	2107-2A6P1	
REL. TO MFG.	2107-2A6P1		REL. TO MFG.	2107-2A6P2	
REL. TO MFG.	2107-2A6P2		REL. TO MFG.	2107-2A5P1	
REL. TO MFG.	2107-2A5P1		REL. TO MFG.	2107-2A5P2	
REL. TO MFG.	2107-2B5P1		02-05-1207	2107-2B5P1	
REL. TO MFG.	2107-2B5P2		02-05-1208	2107-2B5P2	
REL. TO MFG.	2107-2C5P1		02-05-5221	2107-2C5P1	
REL. TO MFG.	2107-2C5P2		REL. TO MFG.	2107-2C5P2	
REL. TO MFG.	2107-2B6P1		REL. TO MFG.	2107-2B6P1	
REL. TO MFG.	2107-2B6P2		REL. TO MFG.	2107-2C6P1	
REL. TO MFG.	2107-2C6P1		REL. TO MFG.	2107-2C6P2	
REL. TO MFG.	2107-1E5P1		REL. TO MFG.	2107-1E5P1	
REL. TO MFG.	2107-1E5P2		REL. TO MFG.	2107-1E5P2	
REL. TO MFG.	2107-1E6P1		REL. TO MFG.	2107-1E6P1	
REL. TO MFG.	2107-1E6P2		REL. TO MFG.	2107-1E6P2	
			02-05-5330	2107-2F5P1	
			REL. TO MFG.	2107-2F5P2	
			02-05-5332	2107-2F6P1	
			REL. TO MFG.	2107-2F6P2	
			02-05-5340	2107-2H6P1	

LEGEND



MATERIAL NOTES:

- 1. CARTRIDGE BRASS, ALLOY *C26000, .008/(.0.20) THICK, EXTRA SPRING TEMPER.
- 2. PHOSPHOR BRONZE, ALLOY *C51000, .008/(.0.20) THICK, SPRING TEMPER.

NOTES:

- 1. THESE TERMINALS FOR USE WITH .045/(.14) ROUND AND SQUARE PINS.
- 2. THESE TERMINALS WILL ACCEPT STRANDED WIRE WITH .031/(.0.79) MAX. THICK INSULATION.
- 3. A 2° MAX. ANGLE IS ALLOWED.
- 4. MATES WITH .045/(.14) ROUND PIN.
- 5. MATES WITH .045/(.14) SQUARE PIN.
- 6. WITH TERMINAL CRIMPED TO WIRE, TERMINAL TO WITHSTAND 2.5 POUNDS MINIMUM FORCE WITHOUT FRACTURE WHEN FORCE IS APPLIED IN DIRECTION SHOWN AT A RATE OF 2 IN./MIN.

REV.	DATE	BY	DESCRIPTION
1	9/11/87	CEC	SD-2107-*
2			
3			
4			
5			
6			
7			
8			
9			
10			
11			
12			
13			
14			
15			
16			
17			
18			
19			
20			
21			
22			
23			
24			
25			
26			
27			
28			
29			
30			
31			
32			
33			
34			
35			
36			
37			
38			
39			
40			
41			
42			
43			
44			
45			
46			
47			
48			
49			
50			

REVISIONS ONLY ON CAD SYSTEM

CRIMP TERMINAL, FEMALE FOR .045/(.14) PINS 18 THRU 30 GAGE WIRE

MOLEX INCORPORATED

SEE CHART

SD-2107-*

THIS DRAWING CONTAINS INFORMATION THAT IS PROPRIETARY TO MOLEX AND IS NOT TO BE REPRODUCED OR TRANSMITTED IN ANY FORM OR BY ANY MEANS, ELECTRONIC OR MECHANICAL, INCLUDING PHOTOCOPYING, RECORDING, OR BY ANY INFORMATION STORAGE AND RETRIEVAL SYSTEM.