



PRODUCT NUMBER
20020008-XXX1B01LF

20020008 - [] [] [] 1 B 0 1 L F

PITCH

POLES

C: 3.50 mm
D: 3.81 mm
G: 5.00 mm
H: 5.08 mm

02: 2 POLES
03: 3 POLES
04: 4 POLES

24: 24 POLES

PROPERTY TABLE

FCI SERIES NAME	02-350	02-381	02-500	02-508
PITCH (mm)	3.50	3.81	5.00	5.08
VOLTAGE RATING (VAC)	300	300	300	300
CURRENT RATING (A)	8	8	12	12
SOLID/STRANDED WIRE (AWG)	16~28	16~28	12~24	12~24
WIRE CROSS SECTION (mm×mm)	1.5~0.15	1.5~0.15	4.0~0.2	4.0~0.2
WIRE STRIP LENGTH(mm)	6~7	6~7	6~7	6~7
TORQUE (N·m/Lb·in)	0.19/1.7	0.19/1.7	0.4/3.5	0.4/3.5
SCREW	M2	M2	M3	M3
WITHSTANDING VOLTAGE (kV)	1.6	1.6	1.6	1.6
OPERATING TEMP. (°C)	-40~115	-40~115	-40~115	-40~115
POLES AVAILABLE	02~24	02~24	02~24	02~24
SAFETY CERTIFICATE			pending	

NOTES:

- MATERIALS
 - 1-1 HOUSING: THERMALPLASTIC RESIN, UL 94V-0 RATED, COLOR GREEN.
 - 1-2 SCREW: STEEL, ZINC PLATED.
 - 1-3 CLAMP: BRASS, NICKEL PLATED.
 - 1-4 TERMINAL: PHOSPHOROUS BRONZES, TIN PLATED.
- PRODUCT SPECIFICATION REFER TO FCI GS-12-625.
- BOXED PACKAGING, DETAILED PRODUCT PACKING SPECIFICATION REFER TO FCI GS-14-1394.
- FCI, SAFETY CERTIFICATE LOGO AND SERIES NAME TO BE SHOWN ON PRODUCT SURFACE.

TOLERANCES UNLESS OTHERWISE SPECIFIED		rev	ecn no	dr	date
LINEAR	X	±0.5	-	-	-
	XX	±0.30	-	-	-
	XXX	±0.10	-	-	-
ANGULAR	X*	±1*	-	-	-

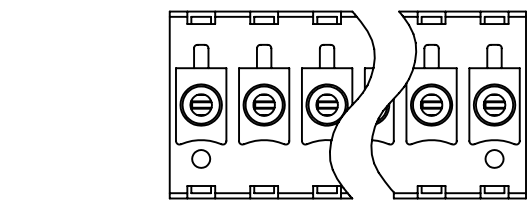
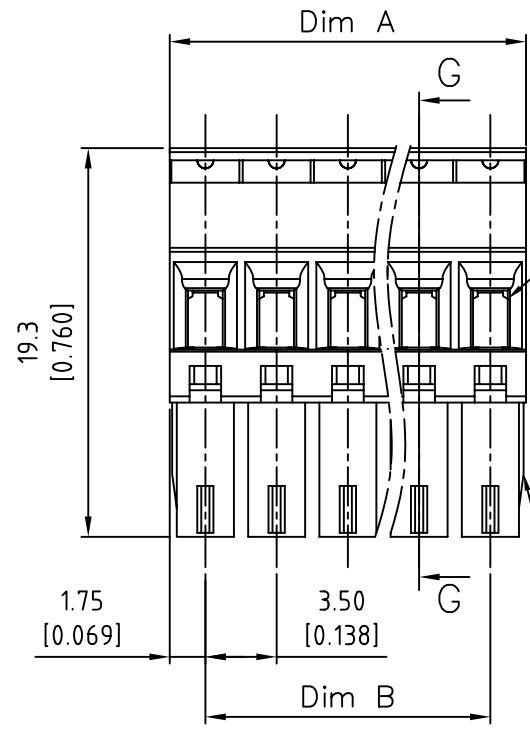
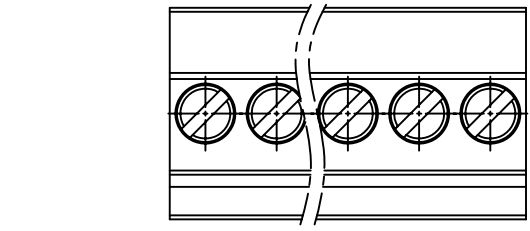
Material		Spec ref *	
Mat code		tolerance	projection
Heattreat		✓	⊕
Plating/Finish			MM
Dr	BEER FU	062509	size A4
Eng	BEER FU	062509	Scale
Chr	GARY HSIEH	062509	Product family
Appr	JOSEPH HSIA	062509	Model Name
			Model Revision
			ECN T09-1152
			REL Level RELEASED
	title	no	Rev.
	TERMINAL BLOCK	20020008	C
	Pluggable plug, hook entry side		
Pro/E file	catalog no	CUSTOMER	sheet 1 of 5

FCI CONFIDENTIAL



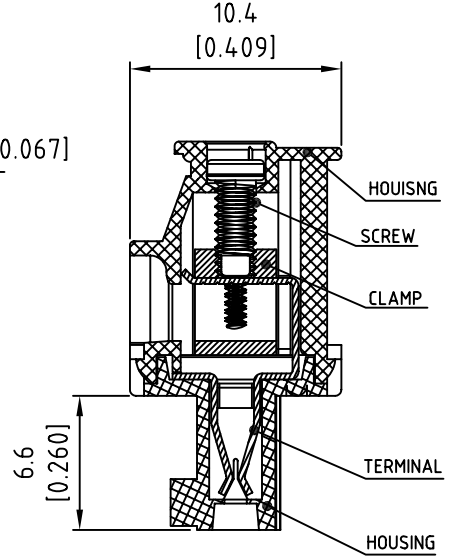
This document is the property of and embodies CONFIDENTIAL and PROPRIETARY information of FCI. No part of the information shown on this document may be used in any way or disclosed to others without the written consent of FCI. Copyright FCI.

PRODUCT NUMBER	SERIES NAME	PITCH
20020008-CXX1B01LF	02-350	3.50 mm



□2.8x1.7
[0.110x0.067]

2p to 6p with wedge, above 7p
without wedge (including 7p)



SEC G-G

N = Number of poles
Dim A = N x 3.5 [0.138]
Dim B = (N-1) x 3.5 [0.138]

TOL.	Dim A	Dim B
2-6p	±0.15 [0.006]	
7-12p	±0.20 [0.008]	
13-18p	±0.25 [0.010]	
19-24p	±0.30 [0.012]	

Material			Spec ref		
Mat code			✓	tolerance	projection
Heat treat					MM
Plating/Finish					←→
Dr	BEER FU	062509		size	A4
Eng	BEER FU	062509	Product family		
Chr	GARY HSIEH	062509	Model Name		
Appr	JOSEPH HSIA	062509	Model Revision		
			ECN		T09-1152
			REL Level		RELEASED
FCI title		TERMINAL BLOCK		chg no	20020008
		Pluggable plug, hook entry side			Rev. C
Pro/E file	catalog no		CUSTOMER		sheet 2 of 5

PDM: Rev: C

STATUS: Released

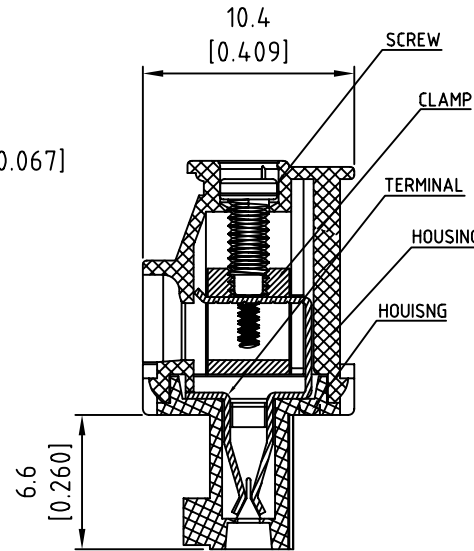
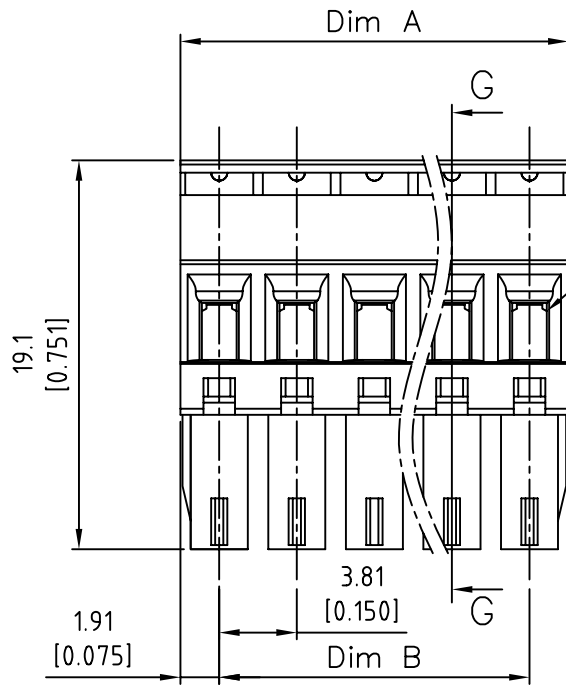
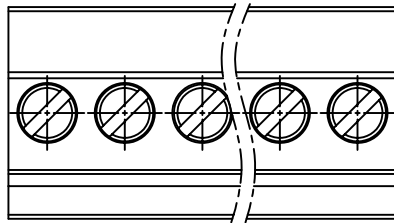
Printed: Feb 23, 2010

FCI CONFIDENTIAL



This document is the property of and embodies CONFIDENTIAL and PROPRIETARY information of FCI. No part of the information shown on this document may be used in any way or disclosed to others without the written consent of FCI. Copyright FCI.

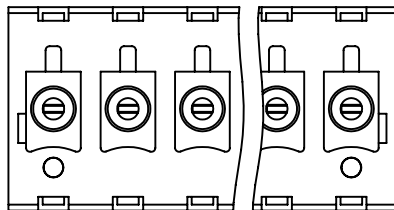
PRODUCT NUMBER	SERIES NAME	PITCH
20020008-DXX1B01LF	02-381	3.81 mm



SEC G-G

N = Number of poles
 Dim A = $N \times 3.81 [0.150]$
 Dim B = $(N-1) \times 3.81 [0.150]$

TOL.	Dim A	Dim B
	$\pm 0.15 [0.006]$	
	$\pm 0.20 [0.008]$	
	$\pm 0.25 [0.010]$	
	$\pm 0.30 [0.012]$	



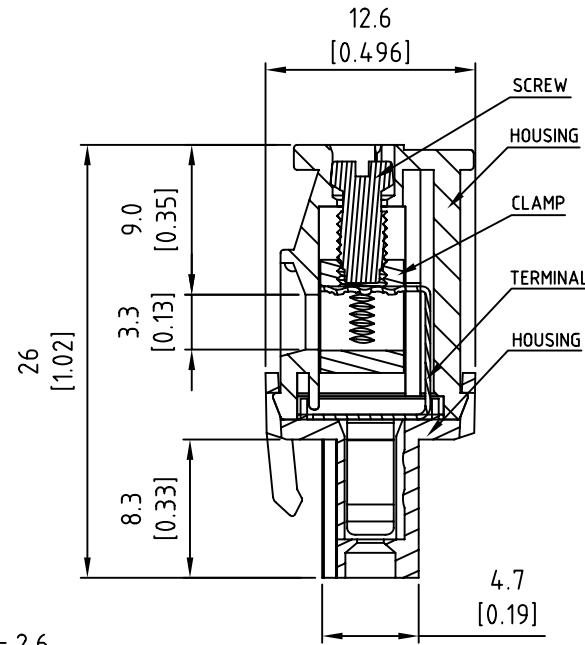
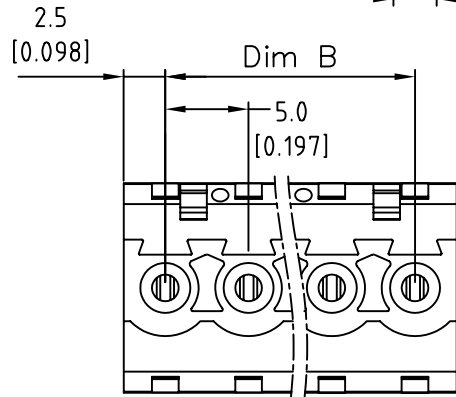
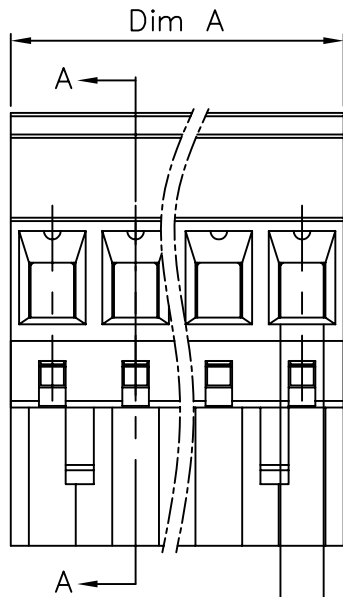
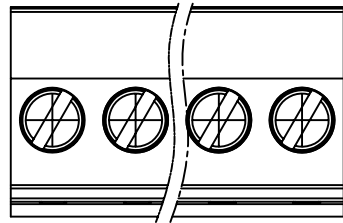
Material		Spec ref		
Mat code		tolerance	projection	MM
Heattreat				
Plating/Finish		size	A4	Scale
Dr	BEER FU 062509			
Eng	BEER FU 062509	Product family		
Chr	GARY HSIEH 062509	Model Name		ECN T09-1152
Appr	JOSEPH HSIA 062509	Model Revision		REL Level RELEASED
FCI	title	TERMINAL BLOCK		Rev. C
		Pluggable plug, hook entry side		
Pro/E file	catalog no	chg no	20020008	sheet 3 of 5

FCI CONFIDENTIAL



This document is the property of and embodies CONFIDENTIAL and PROPRIETARY information of FCI. No part of the information shown on this document may be used in any way or disclosed to others without the written consent of FCI. Copyright FCI.

PRODUCT NUMBER	SERIES NAME	PITCH
20020008-GXX1B01LF	02-500	5.00 mm



N = Number of poles
 Dim A = $N \times 5.0 [0.197]$
 Dim B = $(N-1) \times 5.0 [0.197]$

TOL.	Dim A	Dim B
2-6p	$\pm 0.15 [0.006]$	
7-12p	$\pm 0.25 [0.010]$	
13-18p	$\pm 0.30 [0.012]$	
19-24p	$\pm 0.40 [0.016]$	

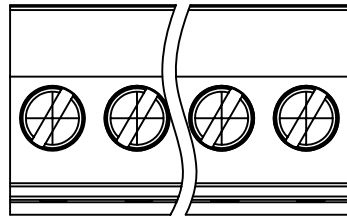
Material		Spec ref		
Mat code		tolerance	projection	MM
Heat treat				
Plating/Finish		size	A4	Scale
Dr	BEER FU 062509			
Eng	BEER FU 062509	Product family		
Chr	GARY HSIEH 062509	Model Name		ECN T09-1152
Appr	JOSEPH HSIA 062509	Model Revision		REL Level RELEASED
FCI	title	TERMINAL BLOCK		Rev. C
		Pluggable plug, hook entry side		
Pro/E file	catalog no	chg no	20020008	sheet 4 of 5
		CUSTOMER		

FCI CONFIDENTIAL

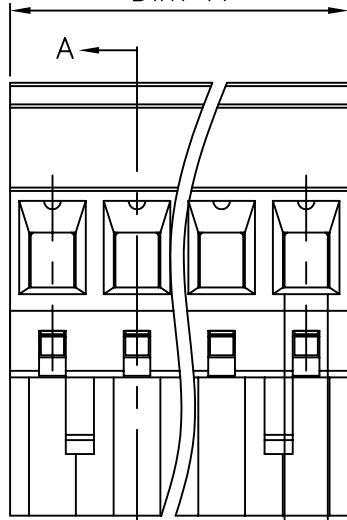


This document is the property of and embodies CONFIDENTIAL and PROPRIETARY information of FCI. No part of the information shown on this document may be used in any way or disclosed to others without the written consent of FCI. Copyright FCI.

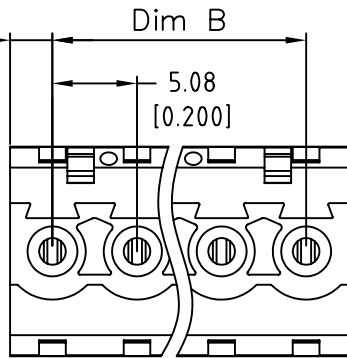
PRODUCT NUMBER	SERIES NAME	PITCH
20020008-HXX1B01LF	02-508	5.08 mm



Dim A

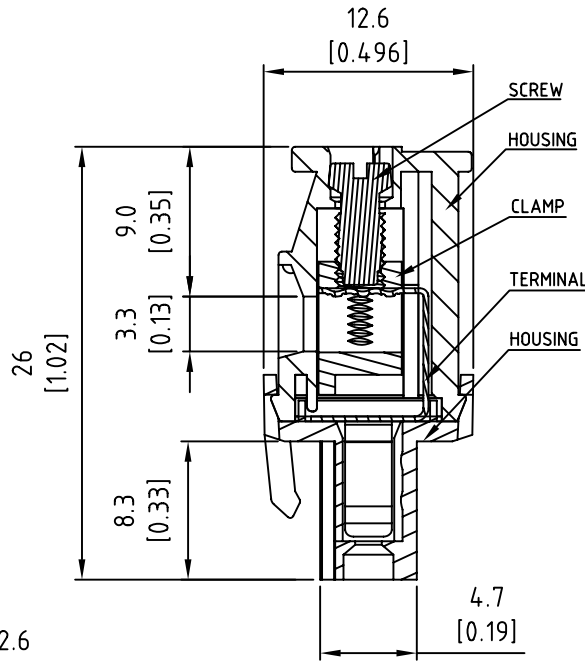


2.54 [0.100] 2.6 [0.102]



Dim B

5.08 [0.200]



Section A-A

N = Number of poles
 Dim A = N x 5.08 [0.200]
 Dim B = (N-1) x 5.08 [0.200]

TOL.	Dim A	Dim B
2-6p	±0.15 [0.006]	
7-12p	±0.25 [0.010]	
13-18p	±0.30 [0.012]	
19-24p	±0.40 [0.016]	

Material		Spec ref		
Mat code		✓	tolerance	projection
Heat treat				MM
Plating/Finish			size	Scale
Dr	BEER FU	062509	A4	
Eng	BEER FU	062509	Product family	
Chr	GARY HSIEH	062509	Model Name	
Appr	JOSEPH HSIA	062509	Model Revision	
		ECN		T09-1152
		REL Level		RELEASED
	title	chg no		Rev.
	TERMINAL BLOCK	20020008		C
	Pluggable plug, hook entry side			
Pro/E file	catalog no	CUSTOMER		sheet 5 of 5