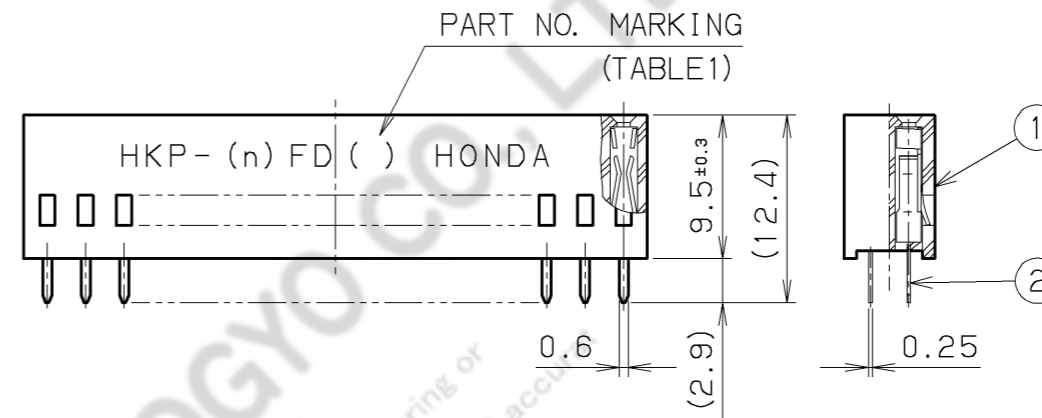
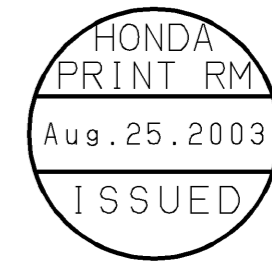
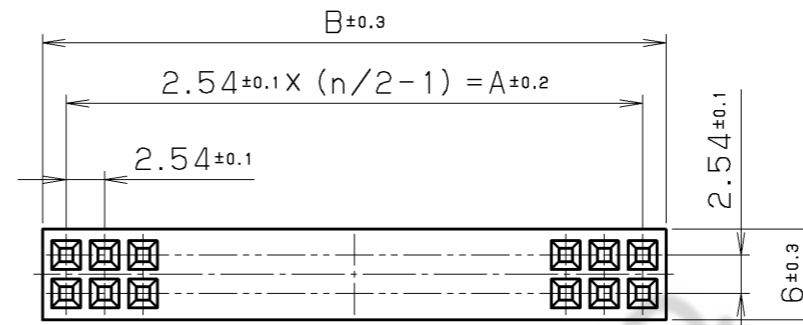


TABLE 1

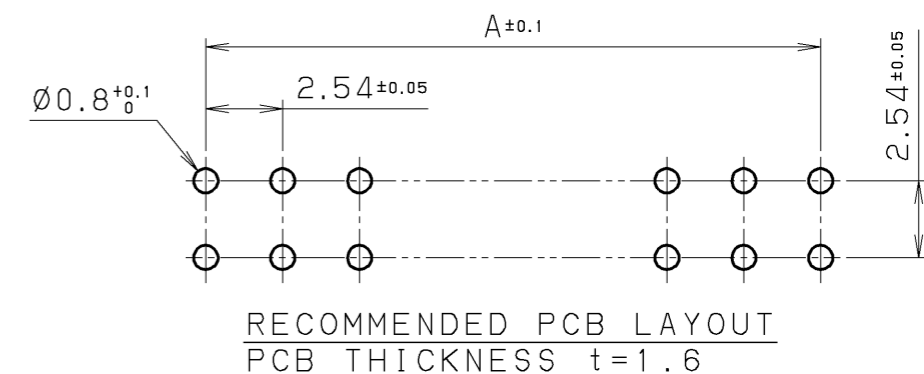
n	PART NUMBER	A	B	PART NO. MARKING
4	HKP- 4FD ( )	2.54	5.68	NO MARKING
6	HKP- 6FD ( )	5.08	8.22	NO MARKING
8	HKP- 8FD ( )	7.62	10.76	8FD ( )
10	HKP-10FD ( )	10.16	13.30	HKP-10FD ( )
12	HKP-12FD ( )	12.70	15.84	HKP-12FD ( )
14	HKP-14FD ( )	15.24	18.38	HKP-14FD ( )
16	HKP-16FD ( )	17.78	20.92	HKP-16FD ( )
18	HKP-18FD ( )	20.32	23.46	HKP-18FD ( ) HONDA
20	HKP-20FD ( )	22.86	26.00	HKP-20FD ( ) HONDA
22	HKP-22FD ( )	25.40	28.54	HKP-22FD ( ) HONDA
24	HKP-24FD ( )	27.94	31.08	HKP-24FD ( ) HONDA
26	HKP-26FD ( )	30.48	33.62	HKP-26FD ( ) HONDA
28	HKP-28FD ( )	33.02	36.16	HKP-28FD ( ) HONDA
30	HKP-30FD ( )	35.56	38.70	HKP-30FD ( ) HONDA
32	HKP-32FD ( )	38.10	41.24	HKP-32FD ( ) HONDA
34	HKP-34FD ( )	40.64	43.78	HKP-34FD ( ) HONDA
36	HKP-36FD ( )	43.18	46.32	HKP-36FD ( ) HONDA
38	HKP-38FD ( )	45.72	48.86	HKP-38FD ( ) HONDA
40	HKP-40FD ( )	48.26	51.40	HKP-40FD ( ) HONDA
42	HKP-42FD ( )	50.80	53.94	HKP-42FD ( ) HONDA
44	HKP-44FD ( )	53.34	56.48	HKP-44FD ( ) HONDA
46	HKP-46FD ( )	55.88	59.02	HKP-46FD ( ) HONDA
48	HKP-48FD ( )	58.42	61.56	HKP-48FD ( ) HONDA
50	HKP-50FD ( )	60.96	64.10	HKP-50FD ( ) HONDA
52	HKP-52FD ( )	63.50	66.64	HKP-52FD ( ) HONDA
54	HKP-54FD ( )	66.04	69.18	HKP-54FD ( ) HONDA
56	HKP-56FD ( )	68.58	71.72	HKP-56FD ( ) HONDA
58	HKP-58FD ( )	71.12	74.26	HKP-58FD ( ) HONDA
60	HKP-60FD ( )	73.66	76.80	HKP-60FD ( ) HONDA
62	HKP-62FD ( )	76.20	79.34	HKP-62FD ( ) HONDA
64	HKP-64FD ( )	78.74	81.88	HKP-64FD ( ) HONDA
66	HKP-66FD ( )	81.28	84.42	HKP-66FD ( ) HONDA
68	HKP-68FD ( )	83.82	86.96	HKP-68FD ( ) HONDA
70	HKP-70FD ( )	86.36	89.50	HKP-70FD ( ) HONDA



NOTE 1. "n" SHOWS NUMBER OF CONTACTS.  
 2. JUST 4 TO 20 POS. AVAILABLE FOR HKP- ( ) FD4 CONNECTOR.

TABLE 2

PART NO.	PLATING	
	CONTACT AREA	TERMINATION AREA
HKP- (n) FD2	GOLD 0.2μm	GOLD 0.05μm
HKP- (n) FD4	TIN/LEAD 2μm	TIN/LEAD 2μm
HKP- (n) FD5	GOLD 0.2μm	NICKEL 1μm
HKP- (n) FD6	GOLD 0.2μm	TIN/LEAD 2μm
HKP- (n) FD7	GOLD 0.05μm	GOLD 0.05μm
HKP- (n) FD8	GOLD 0.76μm	TIN/LEAD 2μm



△										
△				2	CONTACT	PHOSPHOR BRONZE	n	SEE TABLE #2	—	
△	MAY.18.2001	K. N	REVISE	1	INSULATOR	PBT	1	—	UL94V-0 BLACK	
LTR.	DATE	BY	REV.	DESCRPT	No.	PART NAME	MATERIAL	QTY	FINISH	NOTE
DATE		SCALE		UNIT		3RD. A. P		HONDA TSUSHIN KOGYO CO., LTD.		
MAY. 17 (2001)		5/1		mm (INCH)						
APP. DATE&REV.		DR.		DE.		CHK.		CHK.		APP.
		K. NISHIMAE		K. NISHIMAE		—		C. NUNOKAWA		H. EBIHARA
								NAME		FEMALE CONNECTOR
								PART NO.		HKP- ( ) FD ( )
										REV.