

UNLESS OTHERWISE NOTED TOLERANCES ARE:
 ONE PLACE DECIMALS ±.1 [3] THREE PLACE DECIMALS ±.005 [.13]
 TWO PLACE DECIMALS ±.01 [.3] FOUR PLACE DECIMALS ±.0020 [.051]

TITLE: HI-TEMP TERMINAL MICRO-SRTIP
 DWG NO: HTMS-1XX-XX-XX-X-RA-XXX
 SHEET 1 OF 1

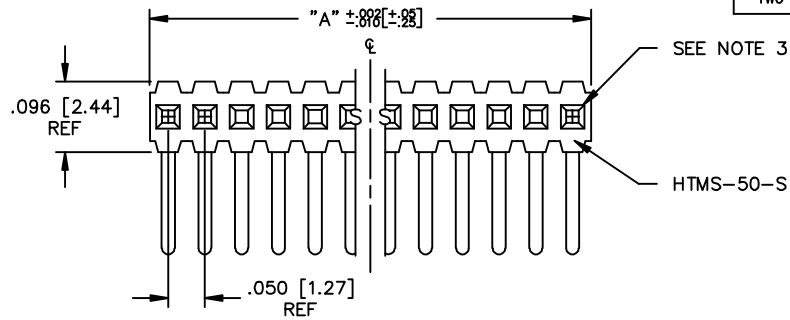


TABLE 1
RIGHT ANGLE

LEAD STYLE	PIN #1	PIN #2	"B"
-01	T-1M6-14-X-2	T-1M6-15-X-2	.230 [5.84]
-02	T-1M6-12-X-2	T-1M6-13-X-2	.100 [2.54]
-03	T-1M6-18-X-2	T-1M6-19-X-2	.125 [3.18]

HTMS-1XX-XX-XX-X-RA-XXX
 BODY LENGTH SPEC EXPRESSED IN # POS PER ROW (-01 THRU -50)
 "A" = 'XX' x .050 [1.27]
 OPTION -POLARIZING SPECIFICATION XXX INDICATES POS. TO BE OMITTED (SEE FIG. 1)
 OPTION -RA: RIGHT ANGLE
 BODY SPECIFICATION -S: SINGLE (USE HTMS-50-S) -D: DOUBLE (USE HTMS-50-D)
 PLATING SPECIFICATION -G: GOLD, SPECIFY -G -T: TIN, SPECIFY -T -S: SELECTIVE, SPECIFY -S -F: FLASH GOLD, SPECIFY -F -TM: MATTE TIN -SM: SELECTIVE HEAVY GOLD, MATTE TIN TAIL

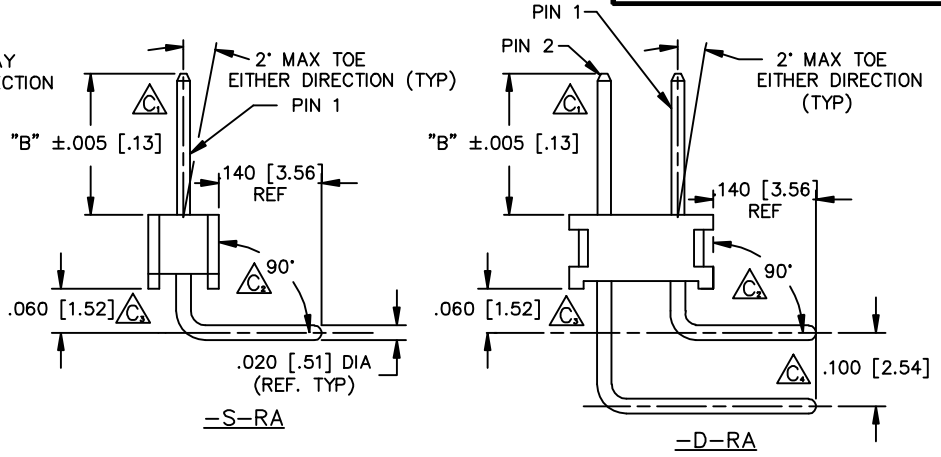
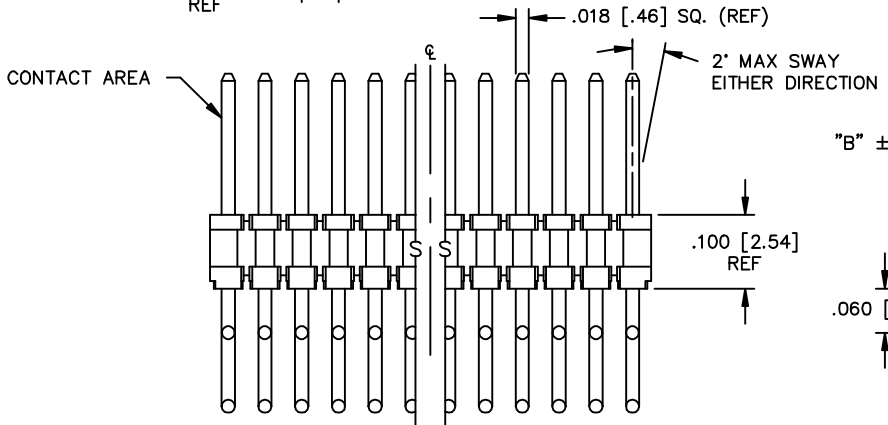
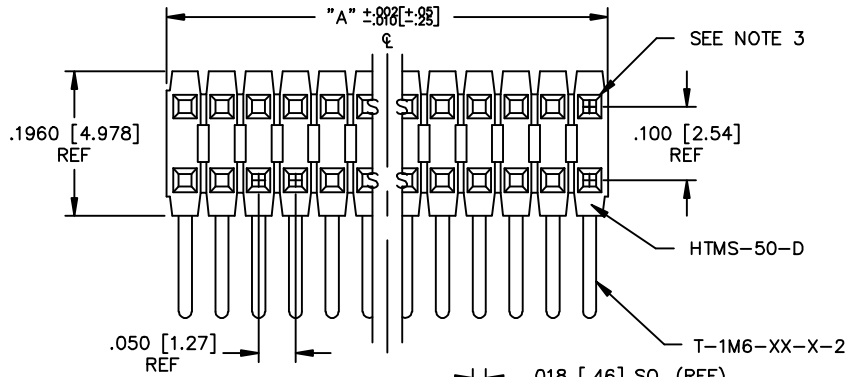
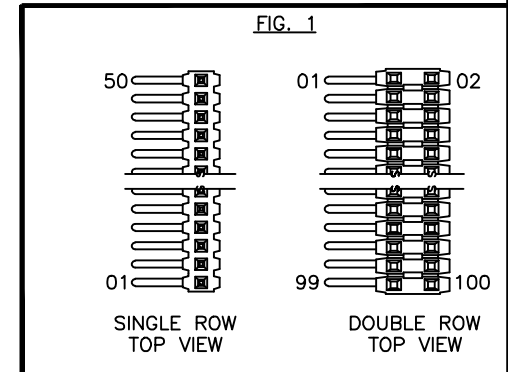
PACKAGING TUBE TABLE

BODY STYLE	LEAD STYLE	TUBE	PLUG
HTMS-DOUBLE RIGHT ANGLE	-01, -02, -03	PT-1-24-02-66	TP-03
HTMS-SINGLE RIGHT ANGLE	-01, -02, -03	PT-1-24-01-66	TP-24

TABLE 2

LENGTH	"L"	LENGTH	"L"
-01	.440 [11.18]	-16	.825 [20.96]
-02	.410 [10.41]	-17	.320 [8.13]
-03	.610 [15.49]	-18	.450 [11.43]
-04	.505 [12.83]	-19	.650 [16.51]
-05	.705 [17.91]	-21	.505 [12.83]
-12	.425 [10.80]	-25	.330 [8.38]
-13	.625 [15.88]	-26	.373 [9.47]
-14	.555 [14.10]	-27	.398 [10.11]
-15	.755 [19.18]	-28	1.050 [26.67]

* REF FOR PIN LENGTH



- NOTES:
1. MAX ALLOWABLE BOW: .005 [.13] INCH/INCH.
 2. TERMINAL PUSHOUT FORCE: 2 lbs. MIN.
 3. MAX PIN ROTATION IN BODY: 2°.
 4. Δ REPRESENTS A CRITICAL DIMENSION FOR STATISTICAL PROCESS CONTROL USE.
 5. PACKAGE POSITIONS -08 THRU -50 IN PACKAGING TUBES; LAYER PACKAGE POSITIONS -01 THRU -07.
 6. CUT FLASH .010 [.25] MAX.

PROPRIETARY NOTE
 THIS DOCUMENT CONTAINS INFORMATION CONFIDENTIAL AND PROPRIETARY TO SAMTEC INC. AND SHALL NOT BE REPRODUCED OR TRANSFERRED TO OTHER DOCUMENTS OR DISCLOSED TO OTHERS OR USED FOR ANY PURPOSE OTHER THAN THAT FOR WHICH IT WAS OBTAINED WITHOUT THE EXPRESSED WRITTEN CONSENT OF SAMTEC INC.

Do not scale from this print

samtec MISC:WKTD HTMS:RANK
 520 PARK EAST BLVD. NEW ALBANY, INDIANA 47150
 PHONE (812) 944-6733 P.O. BOX 1147
 CODE 55322
 MADE BY: GREG REIDINGER 2-24-92 ENG APPROVAL
 CHECKED BY: ECKERT PAE
 HTMS-1XX-XX-XX-X-RA-XXX SHEET 1 OF 1

PLOT SCALE 1= .1333