



## Features

- Formerly J.W. Miller® model
- Current rating up to 2.4 A
- Inductance range: 10  $\mu$ H to 10,000  $\mu$ H
- High Q
- Shielded construction
- RoHS compliant\*

## Applications

- DC/DC converters
- Power supplies
- Desktop notebooks
- Output chokes

**BOURNS®**

## RL875S Series - Radial Lead RF Choke

### Electrical Specifications (@ 25 °C)

Part Number	Inductance ( $\mu$ H)	Tol.	Q (Ref.)	Test Frequency		SRF (MHz) Typ.	DCR ( $\Omega$ ) Max.	I dc (mA)
				L	Q			
RL875S-100L-RC	10	$\pm 15\%$	60	2.52 MHz	2.52 MHz	25.0	0.06	2400
RL875S-220L-RC	22	$\pm 15\%$	35	2.52 MHz	2.52 MHz	15.0	0.08	1600
RL875S-270L-RC	27	$\pm 15\%$	35	2.52 MHz	2.52 MHz	14.0	0.10	1490
RL875S-330L-RC	33	$\pm 15\%$	35	2.52 MHz	2.52 MHz	13.5	0.14	1300
RL875S-390L-RC	39	$\pm 15\%$	30	2.52 MHz	2.52 MHz	11.0	0.15	1200
RL875S-470L-RC	47	$\pm 15\%$	30	2.52 MHz	2.52 MHz	12.0	0.17	1100
RL875S-560K-RC	56	$\pm 10\%$	30	2.52 MHz	2.52 MHz	12.0	0.19	990
RL875S-680K-RC	68	$\pm 10\%$	28	2.52 MHz	2.52 MHz	10.5	0.21	890
RL875S-820K-RC	82	$\pm 10\%$	28	2.52 MHz	2.52 MHz	9.0	0.27	810
RL875S-101K-RC	100	$\pm 10\%$	35	1 KHz	796 KHz	6.5	0.32	740
RL875S-121K-RC	120	$\pm 10\%$	45	1 KHz	796 KHz	6.0	0.36	670
RL875S-151K-RC	150	$\pm 10\%$	50	1 KHz	796 KHz	6.0	0.51	600
RL875S-181K-RC	180	$\pm 10\%$	50	1 KHz	796 KHz	5.5	0.57	550
RL875S-221K-RC	220	$\pm 10\%$	60	1 KHz	796 KHz	5.5	0.76	500
RL875S-271K-RC	270	$\pm 10\%$	40	1 KHz	796 KHz	4.0	0.86	450
RL875S-331K-RC	330	$\pm 10\%$	30	1 KHz	796 KHz	4.0	0.97	410
RL875S-391K-RC	390	$\pm 10\%$	50	1 KHz	796 KHz	3.5	1.28	370
RL875S-471K-RC	470	$\pm 10\%$	45	1 KHz	796 KHz	2.5	1.44	340
RL875S-561K-RC	560	$\pm 10\%$	45	1 KHz	796 KHz	2.5	1.61	310
RL875S-681K-RC	680	$\pm 10\%$	45	1 KHz	796 KHz	2.0	2.07	280
RL875S-821K-RC	820	$\pm 10\%$	45	1 KHz	796 KHz	2.0	2.33	260
RL875S-102K-RC	1,000	$\pm 10\%$	95	1 KHz	252 KHz	2.0	2.72	230
RL875S-122K-RC	1,200	$\pm 10\%$	110	1 KHz	252 KHz	1.5	3.98	210
RL875S-152K-RC	1,500	$\pm 10\%$	110	1 KHz	252 KHz	1.5	4.50	190
RL875S-182K-RC	1,800	$\pm 10\%$	110	1 KHz	252 KHz	1.0	6.81	170
RL875S-222K-RC	2,200	$\pm 10\%$	110	1 KHz	252 KHz	1.0	7.56	160
RL875S-272K-RC	2,700	$\pm 10\%$	95	1 KHz	252 KHz	1.0	8.54	140
RL875S-332K-RC	3,300	$\pm 10\%$	95	1 KHz	252 KHz	1.0	9.74	130
RL875S-392K-RC	3,900	$\pm 10\%$	95	1 KHz	252 KHz	1.0	12.9	120
RL875S-472K-RC	4,700	$\pm 10\%$	95	1 KHz	252 KHz	1.0	14.7	110
RL875S-562K-RC	5,600	$\pm 10\%$	95	1 KHz	252 KHz	1.0	20.4	99
RL875S-682K-RC	6,800	$\pm 10\%$	95	1 KHz	252 KHz	0.5	23.0	89
RL875S-822K-RC	8,200	$\pm 10\%$	85	1 KHz	252 KHz	0.5	30.6	81
RL875S-103K-RC	10,000	$\pm 10\%$	85	1 KHz	79.6 KHz	0.5	35.0	74

### General Specifications

Rated Current..... Inductance drop 10 %,  
or temperature rise of 40 °C at I dc  
Operating Temperature  
.....-40 °C to +105 °C  
Storage Temperature  
.....-40 °C to +105 °C

### Materials

Core Material..... Ferrite  
Wire ..... Enameled copper  
Terminal Coating..... Sn

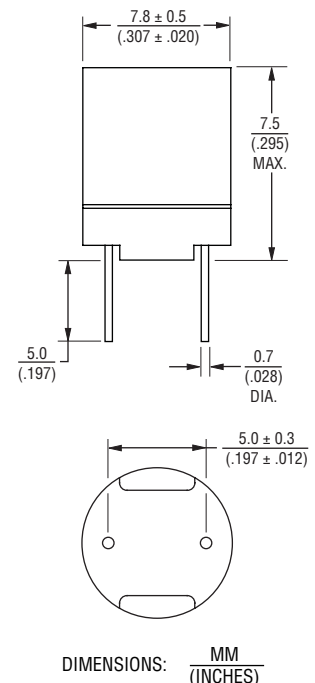
### Marking

..... Value code on top of inductor

### Packaging

Standard..... 100 pcs. per bag

### Product Dimensions



### How To Order

**RL875S - 102K - RC**

Model \_\_\_\_\_  
 Value/Tolerance Code (see table) \_\_\_\_\_  
 Compliance Code \_\_\_\_\_  
 RC = RoHS Compliant

#### Example:

RL875S-102K-RC = 1000  $\mu$ H,  $\pm 10\%$

### Electrical Schematic

