

**Micro-D Fiber Optic Plug Connector
for Glenair Front Release Socket Terminus 181-011-***
180-064**



Fiber Optic
Connectors

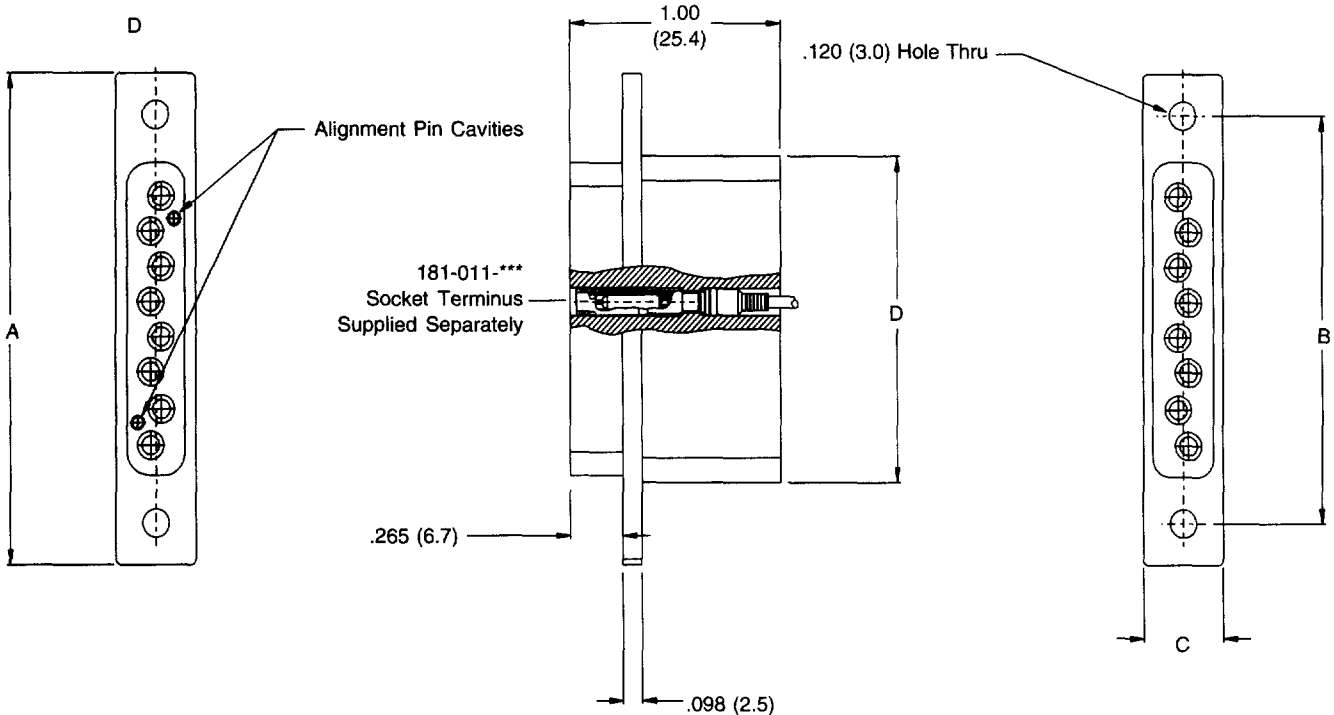


TABLE II: CLASS

Class	Shell Material	Finish Description
C	Aluminum	Black Anodize
M		Electroless Nickel (Coupling Nut Electrodeposited)
NF		Olive Drab Cadmium over Electroless Nickel
ZN		Zinc-Nickel / Olive Drab over Electroless Nickel
Z1	Stainless Steel	Passivate

180-064-31-5-C

Product Series ———
Basic Number ———
Shell Size ——— (See Table I)
Class (Table II)
Number of Fiber Optic Pin Termini

TABLE I: SHELL SIZE

Shell Size	A ± .010 (0.3)	B ± .003 (0.1)	C ± .010 (0.3)	D ± .010 (0.3)	MAX F.O. PIN
9	.775 (19.7)	.565 (14.4)	.298 (7.6)	.380 (9.7)	1
15	.925 (23.5)	.715 (18.2)	.298 (7.6)	.530 (13.5)	2
21	1.075 (27.3)	.865 (22.0)	.298 (7.6)	.680 (17.3)	3
25	1.175 (29.8)	.965 (24.5)	.298 (7.6)	.780 (19.8)	4
31	1.325 (33.7)	1.115 (28.3)	.298 (7.6)	.930 (23.6)	5
100	2.160 (54.9)	1.800 (45.7)	.394 (10.0)	1.425 (36.2)	8

Metric dimensions (mm) are in parentheses.
Consult factory for Jackscrew and Accessory Hardware