

IDC METAL SHELL "D" PLUG

.050" x .100" CENTERS



LR49571 E60980

PHYSICAL PROPERTIES

INSULATION MATERIAL: Glass reinforced thermoplastic rated UL 94V-0

COLOR: Black

CONTACTS: Beryllium copper, 30 microinches gold over nickel plating in the mating area, tin/lead plating in the termination area.

METAL SHELL: Tin plated steel

ELECTRICAL PROPERTIES

CURRENT RATING: 1 Amp

INSULATION RESISTANCE: >1000 Megohms

DIELECTRIC STRENGTH: >1000 VAC (Sea Level)

ENVIRONMENTAL PROPERTIES

TEMPERATURE RATING: -55 C to 125 C

APPLICATION TOOLING

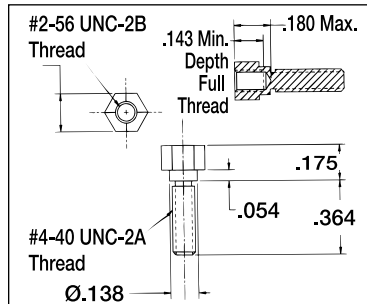
HAND TOOL PLATEN: 779-3112168A

BENCH PRESS PLATEN: 779-3113168A

CABLE

See pages 97-104

MOUNTING HARDWARE

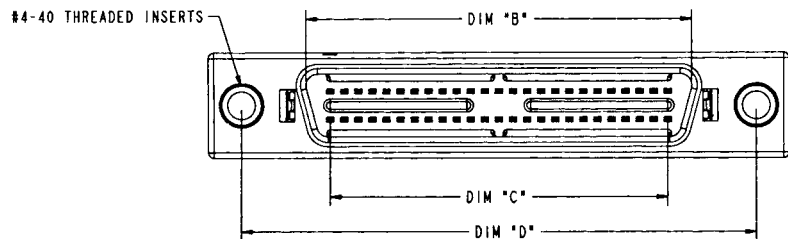
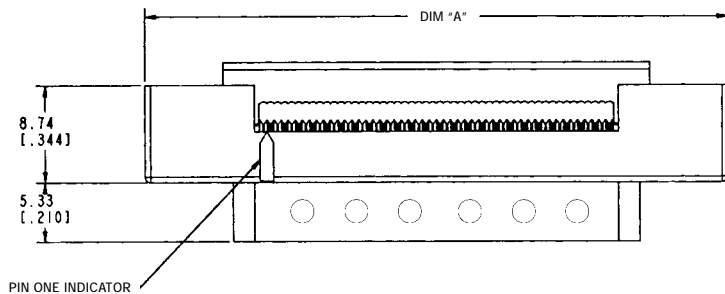
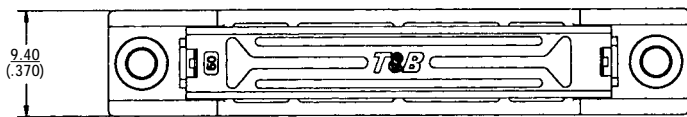


Jackscrew Kit

Catalog Number: 8700040001
(for mounting style "C")

Kit includes:

- 2 Jackscrews (shown above)
- 2 Split Lockwashers



FOR ALL OTHER DIMENSIONS
SEE OPTION 1 (SHEET 1)

Ordering Information

PART NUMBER	NUMBER OF CONTACTS	A	B	C	D
311-026PM29C	26	37.21 (1.465)	19.61 (0.772)	15.24 (0.600)	31.24 (1.230)
311-040PM29C	40	46.10 (1.815)	28.50 (1.122)	24.13 (0.950)	40.13 (1.580)
311-050PM29C	50	52.45 (2.065)	34.85 (1.372)	30.48 (1.200)	46.48 (1.830)
311-068PM29C	68	63.88 (2.515)	46.28 (1.822)	41.91 (1.650)	57.91 (2.280)
311-080PM29C	80	71.50 (2.815)	53.90 (2.122)	49.53 (1.950)	65.53 (2.580)
311-100PM29C	100	84.20 (3.315)	66.60 (2.622)	62.23 (2.450)	78.23 (3.080)