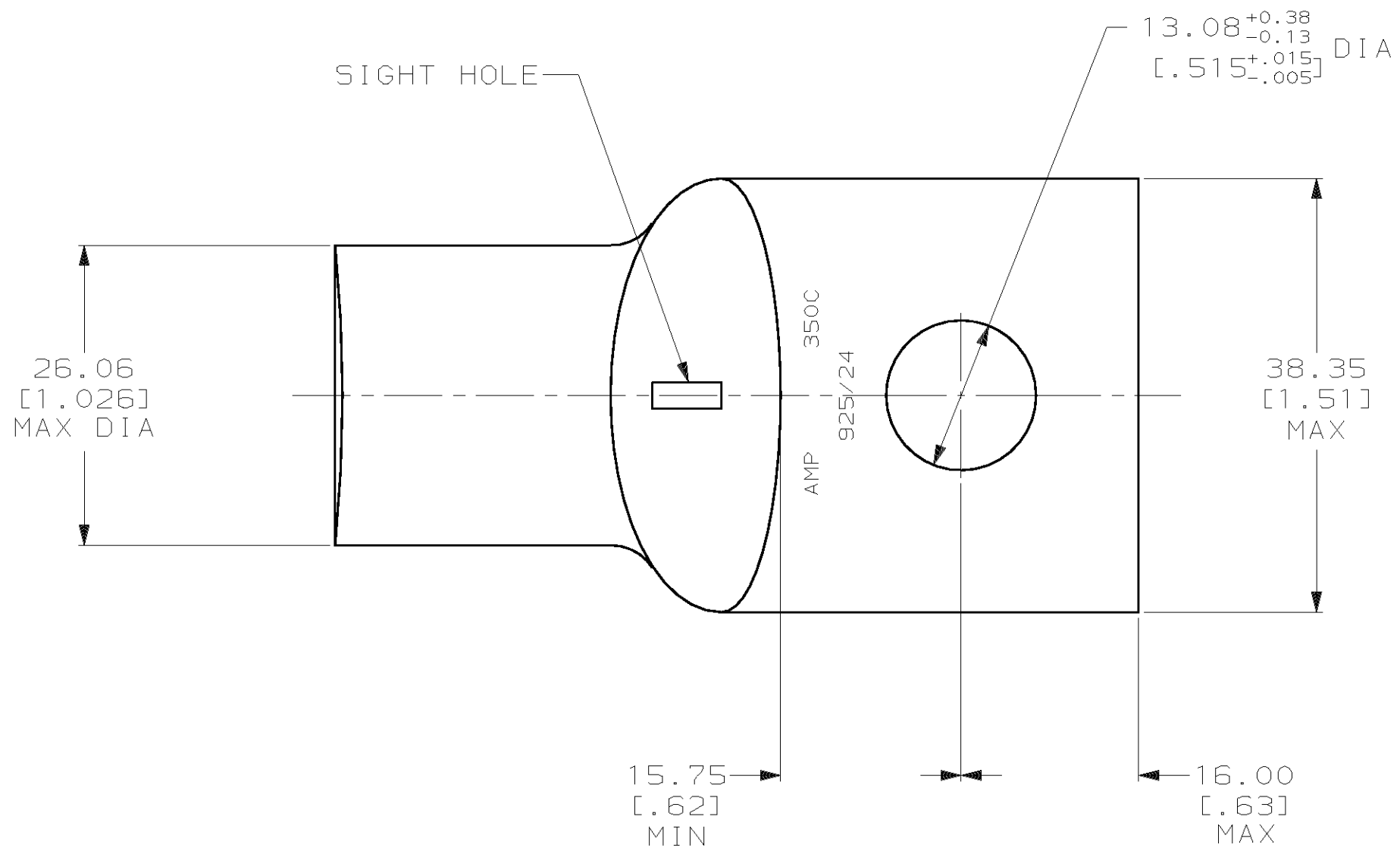
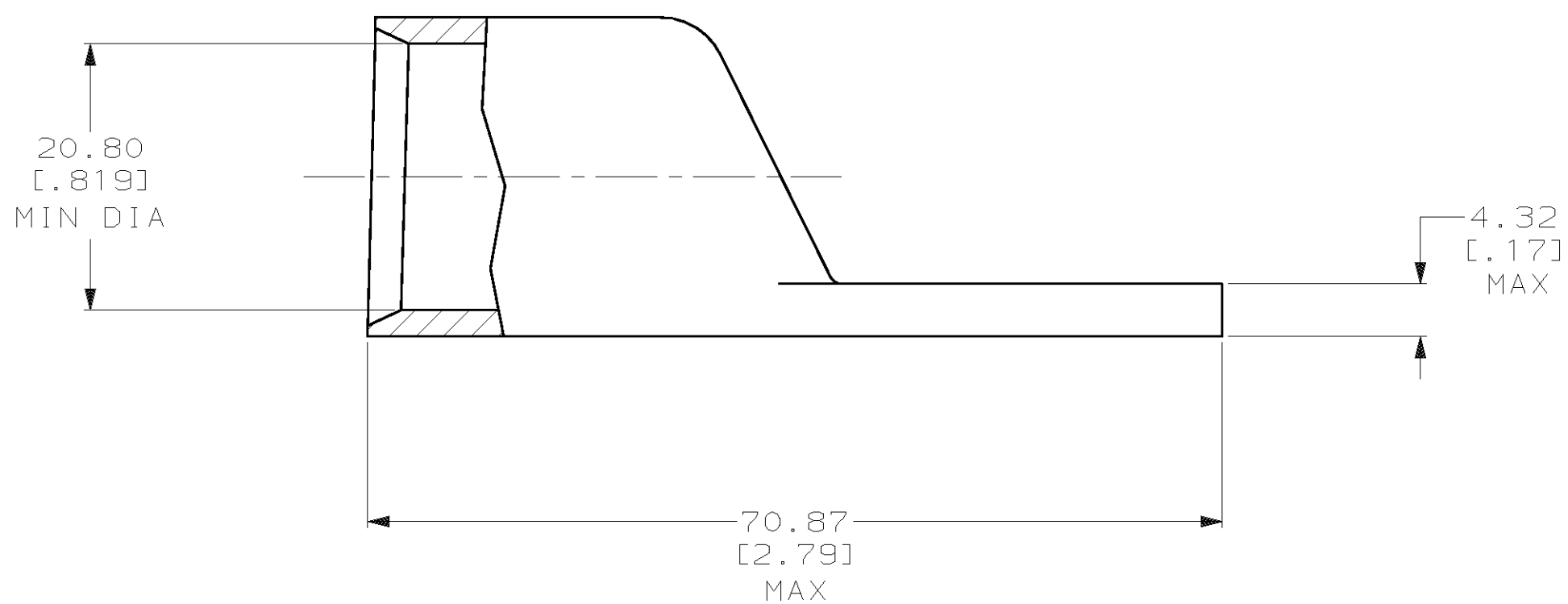


THIS DRAWING IS UNPUBLISHED. RELEASED FOR PUBLICATION, 19 .
 © COPYRIGHT 19 BY AMP INCORPORATED. ALL INTERNATIONAL RIGHTS RESERVED.

LOC		DIST		P		F		ZONE		LTR		REVISIONS		DATE	APPD
G		86													
												L	REV PER 063A-0561-01	080CT02	JR



1 CIRCULAR MIL AREA RANGE: 325-375 MCM
 2 TIN PL 0.00381 [0.000150] MIN THK PER MIL-T-10727



METRIC

DO NOT SCALE PRINT. UNLESS SPECIFIED DIMENSIONS IN mm [INCHES] TOLERANCES ON : 2 PLC DEC ± 0.51 [0.020] 3 PLC DEC ± - ANGLES ± -		DR 02/28/90 DK SCHRUM	325905	
MATERIAL	ANNEALED COPPER ASTM B-75	CHK 23JAN95 MS FEHER	PART NO	
FINISH	△	APPD 23JAN95 WJ VOCKROTH	AMP INCORPORATED Harrisburg, Pa. 17105	
		APPD 23JAN95 TL SHUTTER	NAME	
		PRODUCT SPEC 108-30200	TERMINAL, AMPPOWER™ WIRE SIZE: 350MCM	
WEIGHT	.188 LB	APPLICATION SPEC -	SIZE C	CAGE CODE 00779
			SCALE 2:1	DRAWING NO 325905
				SHEET 1 OF 1