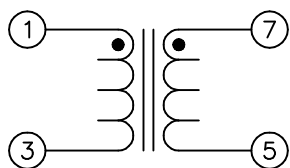
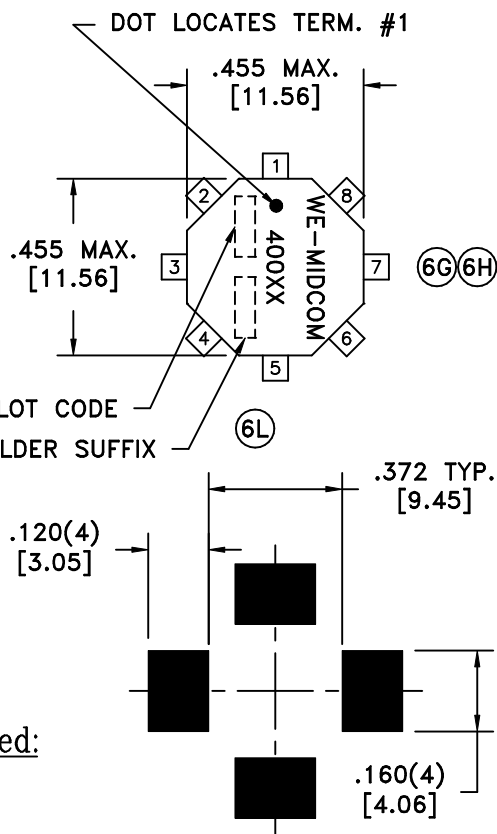
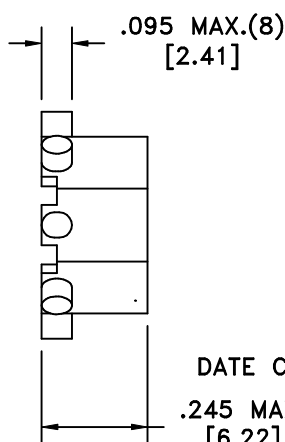
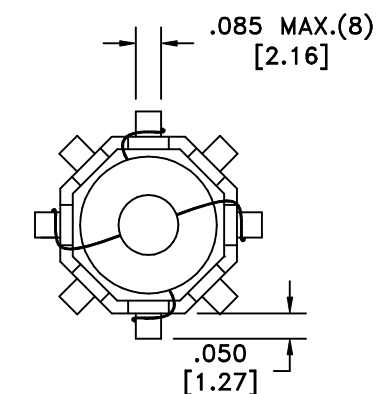


SOLDER SUFFIX	CUSTOMER TERMINAL	RoHS	LEAD(Pb)-FREE (6L)
	Sn63%, Pb37%	No	No
LF2	Sn98%, Cu2%	Yes	Yes



ELECTRICAL SPECIFICATIONS @ 25°C unless otherwise noted:

D.C.RESISTANCE (@20°C): See Table.

DIELECTRIC RATING: 500VDC, 1 minute tested by applying 625VDC for 1 second between windings.

(6C)(6G) INDUCTANCE: 100kHz, 100mV.

TERMINAL PAD DIMENSIONS
CUSTOMER TO DETERMINE LAND SIZE

(6E)	MIDCOM P/N	INDUCTANCE $\mu\text{H} \pm 20\%$ (Term. 1-3)	DCR (Series) Max. Ohms (Term. 1-5, tie 3+7)	DCR (Parallel) Max. Ohms (Term. 1-3, tie 7+1, 3+5)	INDUCTANCE (Parallel) (Term. 1-3, tie 7+1, 3+5)	
					ADC	Ind. min. μH
(6C)	40051R/-LF2	0.49	0.019	0.005	7.9	0.33
	40052R/-LF2	0.76	0.023	0.006	7.2	0.54
	40053R/-LF2	1.10	0.034	0.009	5.9	0.79
	40054R/-LF2	1.95	0.055	0.014	4.6	1.38
	40055R/-LF2	5.15	0.107	0.027	3.3	3.47
	40056R/-LF2	7.81	0.131	0.033	3.0	5.02
	40057R/-LF2	9.88	0.187	0.047	2.5	6.53
	40058R/-LF2	14.8	0.228	0.057	2.3	9.28
	40059R/-LF2	20.6	0.337	0.084	1.9	13.1
	40060R/-LF2	25.7	0.462	0.116	1.6	16.7
	40061R/-LF2	33.2	0.663	0.166	1.3	22.4
	40062R/-LF2	48.8	0.805	0.201	1.2	31.4
	40063R/-LF2	67.4	0.952	0.238	1.1	42.0
	40064R/-LF2	99.1	2.26	0.565	0.72	67.8
	40065R/-LF2	149	2.78	0.696	0.64	98.9
	40066R/-LF2	200	3.24	0.810	0.60	128
	40067R/-LF2	299	4.01	1.00	0.54	183

DETAILS SUBJECT TO CHANGE

Unless otherwise specified:
Tolerances:
Angles: $\pm 1^\circ$
Fractions: $\pm 1/64$
Decimals: $\pm .005 [.13]$

This drawing is dual dimensioned.
Dimensions in brackets are in millimeters.

DRAWING TITLE
INDUCTOR

eiSos p/n:

REVISIONS: SEE SHEET 1

Midcom www.midcom-inc.com

DRAWING NO. **40051R/-LF2** REV. **6L**
thru 40067R/-LF2 6/06

SCALE --- **(6G)(6F)** SHEET 2 OF 6

DWG.# 40051R/40067R/-LF2