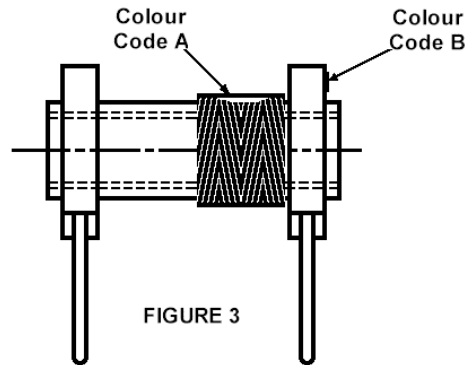
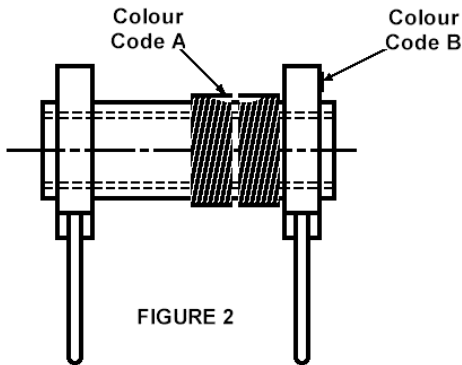
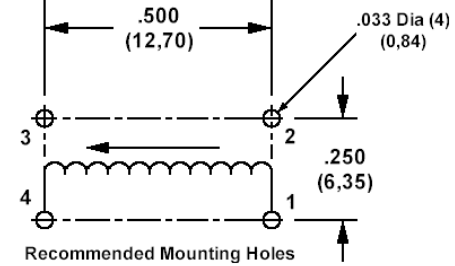
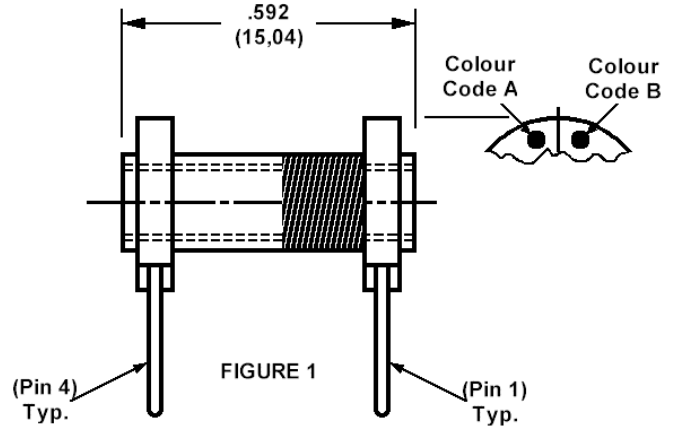
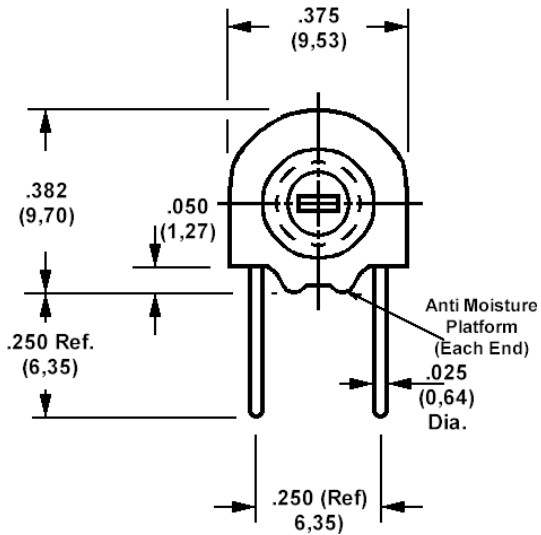


## 556-7120, Variable Coil, Unshielded, Horizontal, .095µH thru 11.00mH (534-3731 Form)



### How to order code 556-7120-XX-00-00

Basic Part No (XX = Inductance range identifier. See table for options)

Fig.	Basic Part No.	XX	Inductance L (µH)		Colour Code		Q Min. @ L Min	Q Min. @ L Max	Test Freq. (MHz)	DCR Max. (Ω)	SRF Min. (MHz)
			Min.	Max.	A	B					
1	556-7120	-01	.095	.105	Brown	-	55	65	25.0	.015	400.0
		-02	.114	.126	Red	-	55	65	25.0	.023	370.0
		-03	.142	.158	Orange	-	70	70	25.0	.025	330.0

Fig.	Basic Part No.	XX	Inductance L (µH)		Colour Code		Q Min. @ L Min	Q Min. @ L Max	Test Freq. (MHz)	DCR Max. (Ω)	SRF Min. (MHz)
			Min.	Max.	A	B					
1	556-7120	-04	.171	.189	Yellow	-	65	70	25.0	.050	300.0
		-05	.209	.231	Green	-	75	80	25.0	.024	280.0
		-06	.256	.284	Blue	-	80	80	25.0	.025	250.0
		-07	.314	.347	Violet	-	80	85	25.0	.027	235.0
		-08	.370	.420	Grey	-	85	85	25.0	.030	220.0
		-09	.420	.520	White	-	85	85	25.0	.035	200.0
		-10	.520	.610	Brown	Black	85	85	25.0	.040	180.0
		-11	.600	.740	Brown	Brown	75	70	25.0	.070	170.0
		-12	.710	.900	Brown	Red	80	85	25.0	.080	150.0
		-13	.890	1.12	Brown	Orange	80	80	25.0	.10	140.0
		-14	1.08	1.32	Brown	Yellow	65	60	7.90	.12	130.0
		-15	1.32	1.62	Brown	Green	70	70	7.90	.20	120.0
		-16	1.62	1.97	Brown	Blue	65	70	7.90	.35	108.0
		-17	1.97	2.43	Brown	Violet	60	65	7.90	.50	95.0
		-18	2.42	2.96	Brown	Grey	60	65	7.90	.60	88.0
		-19	2.96	3.64	Brown	White	65	65	7.90	.90	80.0
		-20	3.50	4.27	Red	Black	70	65	7.90	1.0	75.0
		-21	4.24	5.20	Red	Brown	65	65	7.90	1.2	68.0
		-22	5.00	6.30	Red	Red	70	70	7.90	1.4	62.0
		-23	6.10	7.50	Red	Orange	70	70	7.90	1.6	57.0
-24	7.30	8.90	Red	Yellow	70	70	7.90	2.0	52.0		
-25	8.50	11.5	Red	Green	70	70	7.90	2.2	48.0		
-26	10.8	13.2	Red	Blue	50	55	2.50	2.7	44.0		
-27	13.2	16.5	Red	Violet	40	50	2.50	4.2	40.0		
2		-28	16.2	19.5	Red	Grey	60	70	2.50	2.2	15.0
		-29	19.5	24.3	Red	White	65	75	2.50	2.4	13.5
		-30	24.2	29.5	Orange	Black	75	80	2.50	2.6	12.0
		-31	29.5	36.5	Orange	Brown	65	75	2.50	2.8	11.5
		-32	35.0	43.0	Orange	Red	65	75	2.50	3.0	10.5
		-33	42.0	51.5	Orange	Orange	65	75	2.50	3.2	9.5
		-34	50.0	62.0	Orange	Yellow	65	75	2.50	3.5	9.0
		-35	61.0	75.0	Orange	Green	60	65	2.50	4.0	8.2
		-36	74.0	90.0	Orange	Blue	65	70	2.50	4.5	7.7
		-37	90.0	110.0	Orange	Violet	60	65	2.50	5.0	7.0
		-38	108.0	132.0	Orange	Grey	65	80	.790	5.5	6.5

**Technical Data Sheet**

Fig.	Basic Part No.	XX	Inductance L (µH)		Colour Code		Q Min. @ L Min	Q Min. @ L Max	Test Freq. (MHz)	DCR Max. (Ω)	SRF Min. (MHz)
			Min.	Max.	A	B					
2	556-7120	-39	130.0	165.0	Orange	White	70	80	.790	6.0	6.0
		-40	160.0	200.0	Yellow	Black	70	85	.790	7.0	5.5
		-41	195.0	245.0	Yellow	Brown	70	85	.790	8.0	5.0
		-42	240.0	300.0	Yellow	Red	75	85	.790	10.0	4.6
		-43	295.0	365.0	Yellow	Orange	70	85	.790	15.0	4.2
		-44	350.0	430.0	Yellow	Yellow	75	85	.790	15.0	4.0
		-45	420.0	520.0	Yellow	Green	65	70	.790	22.0	3.7
3		-46	500.0	620.0	Yellow	Blue	65	70	.790	24.0	3.5
		-47	600.0	750.0	Yellow	Violet	65	70	.790	26.0	3.2
		-48	740.0	900.0	Yellow	Grey	60	65	.790	30.0	1.6
		-49	900.0	1100	Yellow	White	65	70	.790	35.0	1.5
		-50	1050	1350	Green	Black	32	42	.250	42.0	1.3
		-51	1300	1650	Green	Brown	32	42	.250	50.0	1.2
		-52	1600	2000	Green	Red	32	42	.250	67.0	1.1
		-53	1950	2450	Green	Orange	32	42	.250	78.0	1.0
		-54	2400	3000	Green	Yellow	32	42	.250	90.0	.95
		-55	2950	3650	Green	Green	32	42	.250	105.0	.90
		-56	3500	4300	Green	Blue	32	42	.250	125.0	.80
		-57	4200	5150	Green	Violet	34	36	.250	140.0	.75
		-58	5000	6200	Green	Grey	35	40	.250	170.0	.70
		-59	6100	7500	Green	White	35	36	.250	190.0	.65
-60	7400	9000	Blue	Black	32	32	.250	220.0	.58		
-61	9000	11000	Blue	Brown	32	36	.250	250.0	.50		

**Core Material is:-**

- 01 thru -18 Carbonyl SF (Blue)
- 19 thru -37 Carbonyl E (Red)
- 38 thru -61 Carbonyl C (Yellow)

Windings are varnish impregnated and powdered iron cores are moisture proofed

Temperature range: -55°C to +105°C

Dimensional Tolerance (unless otherwise stated) - ± .005 (0,13)