

3.3 V, HCMOS/ TTL, J LEADED, PLASTIC MOLDED PROGRAMMABLE CLOCK OSCILLATOR

ASMLP SERIES



RoHS Compliant



14.0 x 8.95 x 4.7 mm

FEATURES:

- Industry standard J-Leaded terminals.
- Plastic molded SMD, Reflow capable.
- Low current consumption.
- Tri-state Enable/Disable.
- HCMOS output.
- 3.3Vdc operation.
- Extended temperature -40°C to +85°C option.

APPLICATIONS:

- Provide clock signals for microprocessors and digital circuits.
- Communication equipment, AV and OA equipment

STANDARD SPECIFICATIONS:

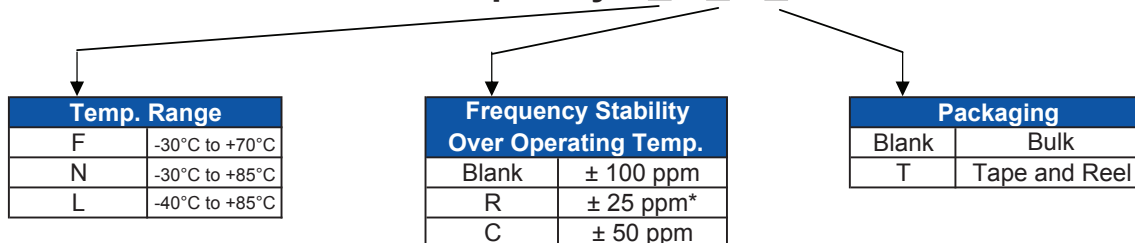
PARAMETERS

ABRACON P/N	ASMLP Series
Frequency range:	1.000MHz ~ 106.250MHz
Operating temperature:	-20° C to +70° C (see options)
Storage temperature:	- 55° C to + 125° C
Overall frequency stability:	± 100 ppm max. (see options)
Supply voltage (Vdd):	3.3Vdc ± 10%
Input current:	25 mA max.
Symmetry at 1/2VDD:	45/55 % max.
Rise and fall time (Tr/Tf):	4 ns max. @ 20% to 80% of waveform
Output load:	15pF max.
Output voltage:	VOH = 0.7*Vdd min. VOL = 0.2*Vdd max.
Tri-state function:	"1" (VIH >= 0.7* Vdd) or open: Oscillation "0" (VIL < 0.2* Vdd) : Hi Z
Start-up time:	10 ms max.
Disabled current (Stand-by):	20µA max.
Jitter (Peak to Peak):	± 250ps max. for F ≤ 33MHz, ±100ps typ. ± 125ps max. for F > 33MHz, ±75ps typ.
Jitter (RMS):	± 50ps max. for F ≤ 33MHz, ± 30ps typ. ± 30ps max. for F > 33MHz, ± 20ps typ.
Aging:	±5ppm/first year

OPTIONS AND PART IDENTIFICATION

(Left blank if standard)

ASMLP-Frequency - □ - □ - □



(*) Contact ABRACON for availability.



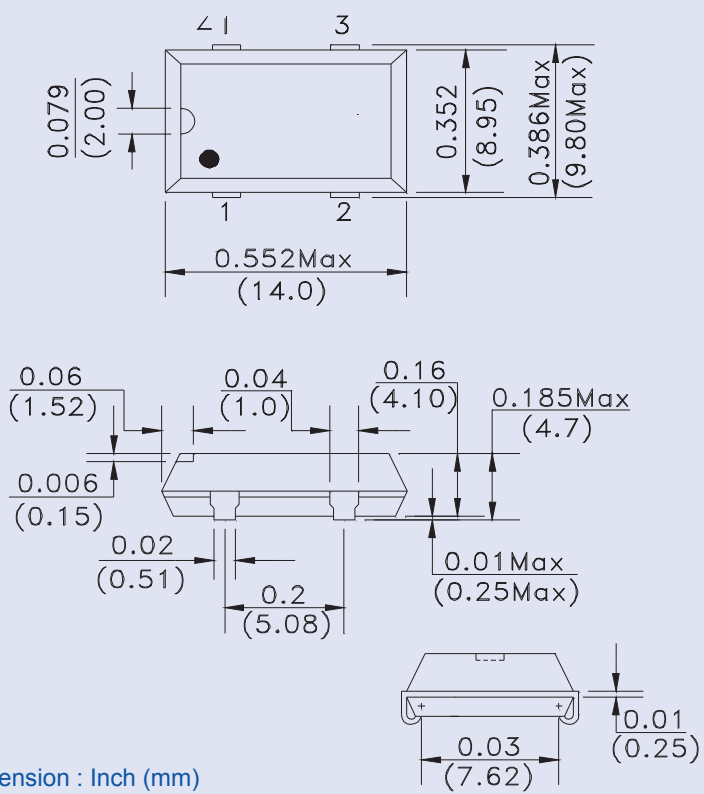
3.3 V, HCMOS/ TTL, J LEADED, PLASTIC MOLDED PROGRAMMABLE CLOCK OSCILLATOR

ASMLP SERIES



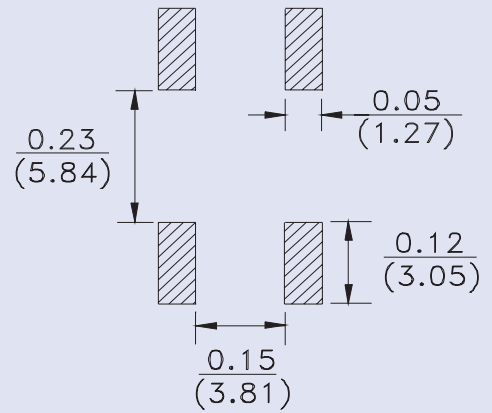
14.0 x 8.95 x 4.7 mm

OUTLINE DRAWING:



Dimension : Inch (mm)

Recommended land pallern



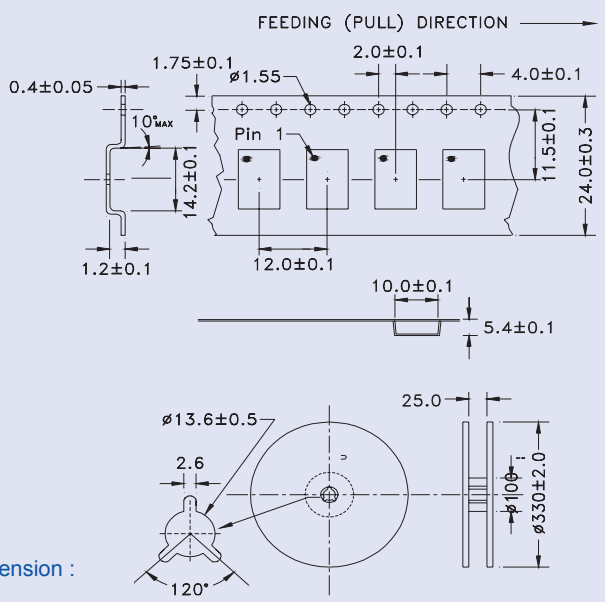
PIN	FUNCTION
1	Tristate
2	GND/Case
3	Output
4	Vdd

Note: Recommend using an approximately 0.01uF bypass capacitor between pin 2 and 4.

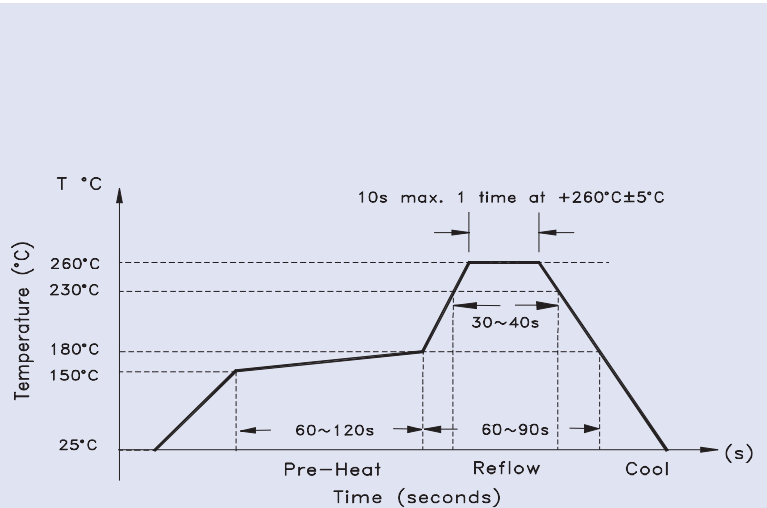
TAPE AND REEL: T= tape and reel (1,000pcs/reel)

REFLOW PROFILE:

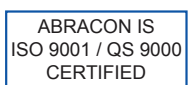
Packaging for over 1,000pcs order programmed by the factory



Dimension : mm



NOTE: Abracon manufactured products are intended for general commercial and industrial use. For applications requiring high reliability and/or presenting extreme operating environment, written consent & authorization from Abracon is required.



Visit www.abracon.com for Terms & Conditions of Sale **Revised: 08.10.09**
 30332 Esperanza, Rancho Santa Margarita, California 92688
 tel 949-546-8000 | fax 949-546-8001 | www.abracon.com