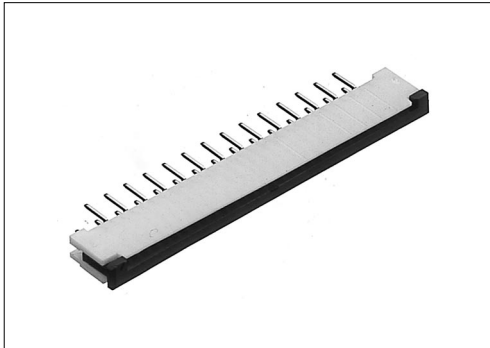


Straight DIP type female connector for FPC LFC-J()

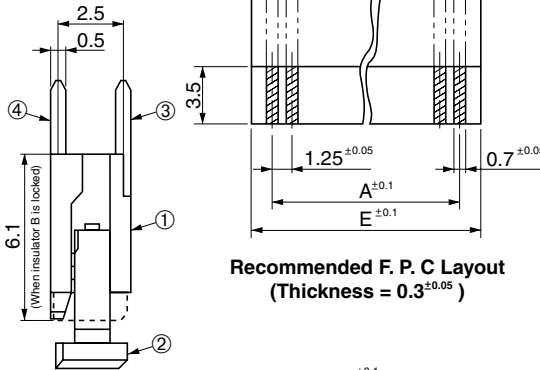
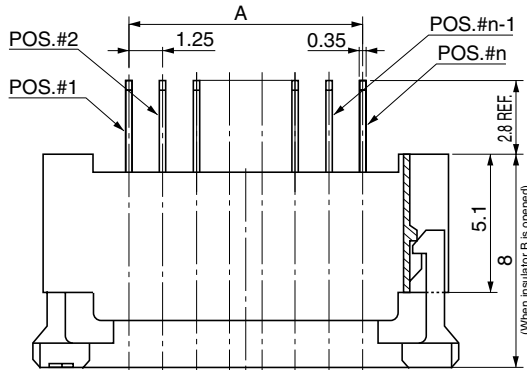


● Configuration of product Part No.

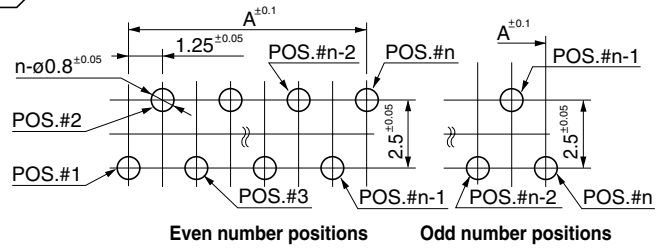
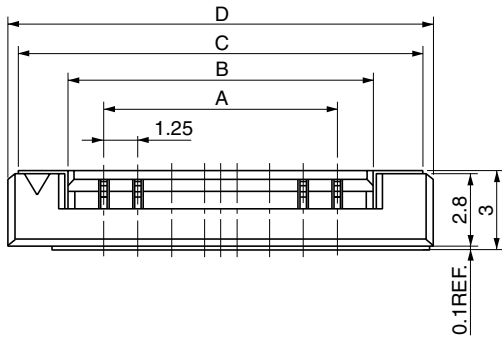
LFC-J ()

① ②

- ① Series name
- ② No. of contacts: 8, 10, 12, 20, 23, 24, 25, 26, 27, 28, 29



Recommended F. P. C Layout
(Thickness = $0.3^{±0.05}$)



Recommended P. C. B Layout
(Thickness = 1.6)

● Dimensions

Part No.	A	B	C	D	E
LFC-J8	8.75	11.55	15.25	16.05	6.35
LFC-J10	11.25	14.05	17.75	18.55	13.85
LFC-J12	13.75	16.55	20.25	21.05	16.35
LFC-J20	23.75	26.55	30.25	31.05	26.35
LFC-J23	27.5	30.	34	34.8	30.1
LFC-J24	28.75	31.55	36.25	36.05	31.35
LFC-J25	30	32.8	36.5	37.3	32.6
LFC-J26	31.25	34.05	37.75	38.55	33.85
LFC-J27	32.5	35.3	39	39.8	35.1
LFC-J28	33.75	36.55	40.25	41.05	36.35
LFC-J29	35	37.8	41.5	42.3	37.6

● Components

①	Insulator A
②	Insulator B
③	Contacts A
④	Contacts B

Mating FPC Thickness: $t = 0.3^{±0.05}$