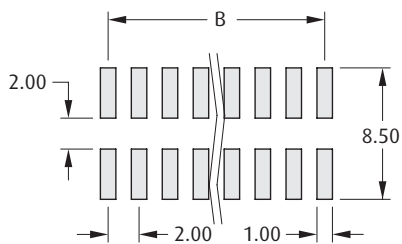


Datamate Connectors

Male Vertical Surface Mount

- ❖ Contact datamate@harwin.com for tape & reel options.
- ❖ Optional pick and place cap.
- ❖ Mates with female connectors shown on pages 26, 28-30 and 32-33.
- ❖ Gull wing SMT tails simplify inspection process.



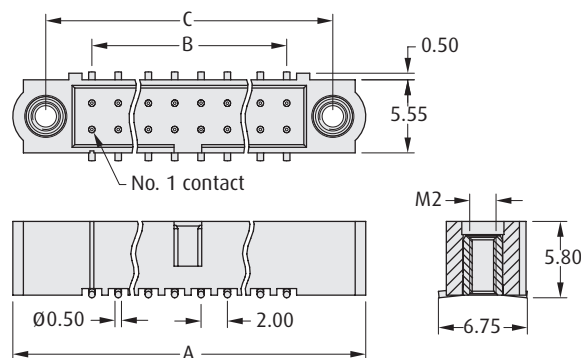
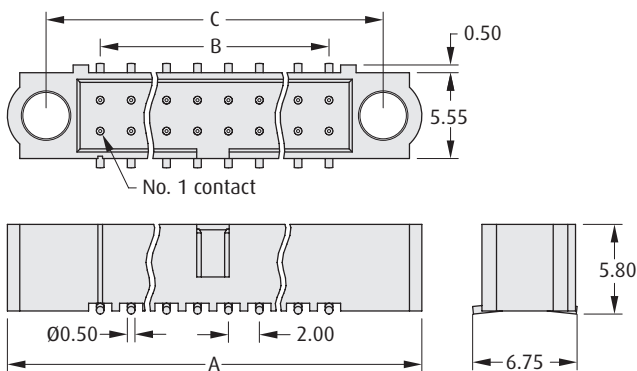
Recommended PC Board Pattern

CALCULATION

A	$B + 12$
B	Total No. of contacts - 2
C	$B + 7$

WITHOUT JACKSCREWS

WITH JACKSCREWS



HOW TO ORDER

M80 - 5 X 2 XX XX P

SERIES CODE

TYPE	
0	With Jackscrews
2	Without Jackscrews

TOTAL NO. OF CONTACTS	
04 to 50	

Even numbers only

PICK AND PLACE CAP

BLANK	No cap
P	Pick and place cap

FINISH		
05	Gold	
22	Gold + Tin/Lead	
42	Gold + Tin	

www.harwin.com

All dimensions in mm.

