

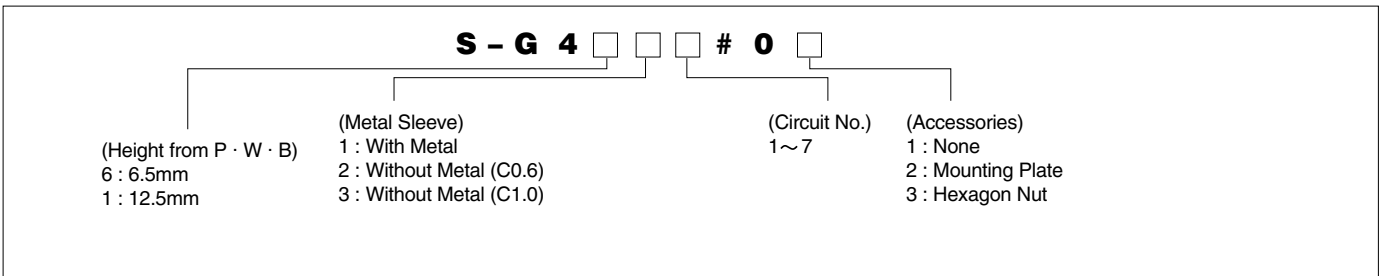
# Phone Jack, S-G4000 Series

## Features



1. A wide variety of designs with different circuit configurations, mountings, and height from P · W · B are available.
2. Mounting plate or hexagon nut mounting for easy panel installation.
3. These parts sit upright on the P · W · B, making mounting easier.

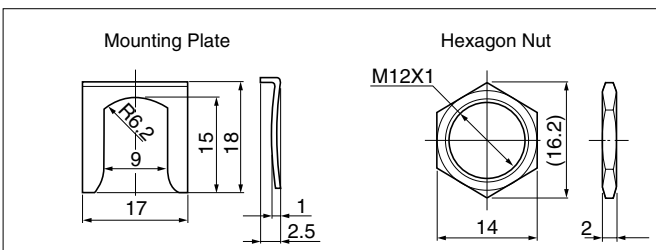
## Numbering System



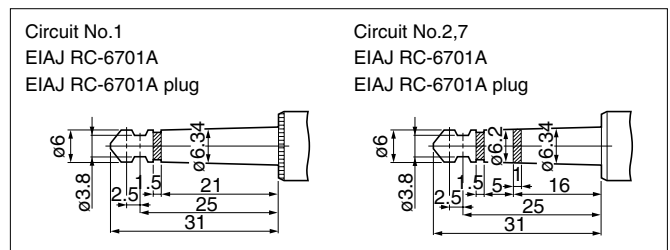
## Products Variation

Circuit No.	Circuits	H=6.5		H=12.5	
		With Metal	Without Metal	With Metal	Without Metal
1		S-G4611	S-G4621 S-G4631	S-G4111	S-G4121 S-G4131
2		S-G4612	S-G4622 S-G4632	S-G4112	S-G4122 S-G4132
7		S-G4617	S-G4627 S-G4637	S-G4117	S-G4127 S-G4137

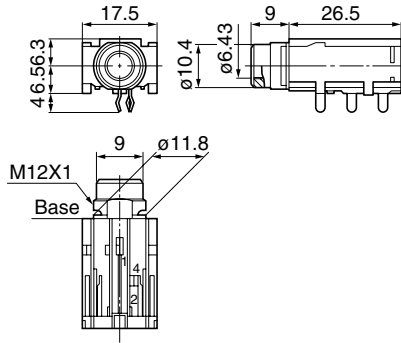
## Accessories



## Applicable Plug

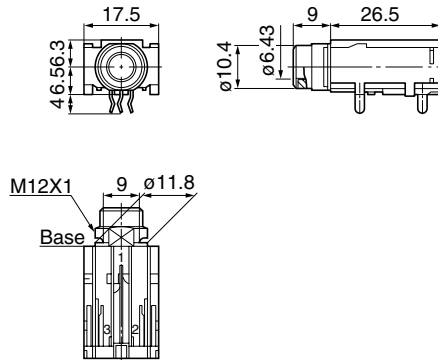
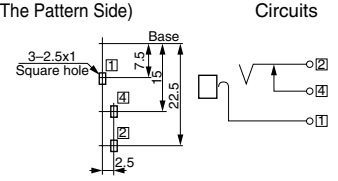


# Phone Jack, S-G4000 Series



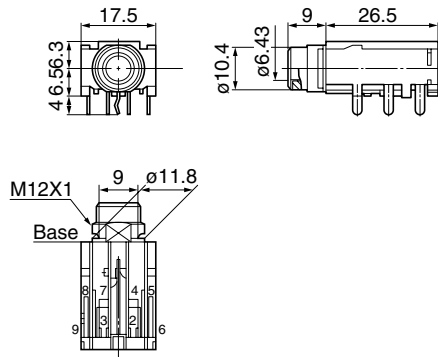
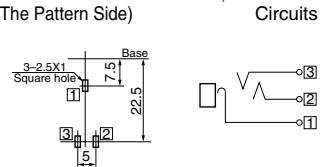
Variation No.	Accessories
01	None
02	Mounting Plate
03	Hexagon Nut

(Recommended P.W.Board Dimension)  
(The Pattern Side)



Variation No.	Accessories
01	None
02	Mounting Plate
03	Hexagon Nut

(Recommended P.W.Board Dimension)  
(The Pattern Side)



Variation No.	Accessories
01	None
02	Mounting Plate
03	Hexagon Nut

(Recommended P.W.Board Dimension)  
(The Pattern Side)

