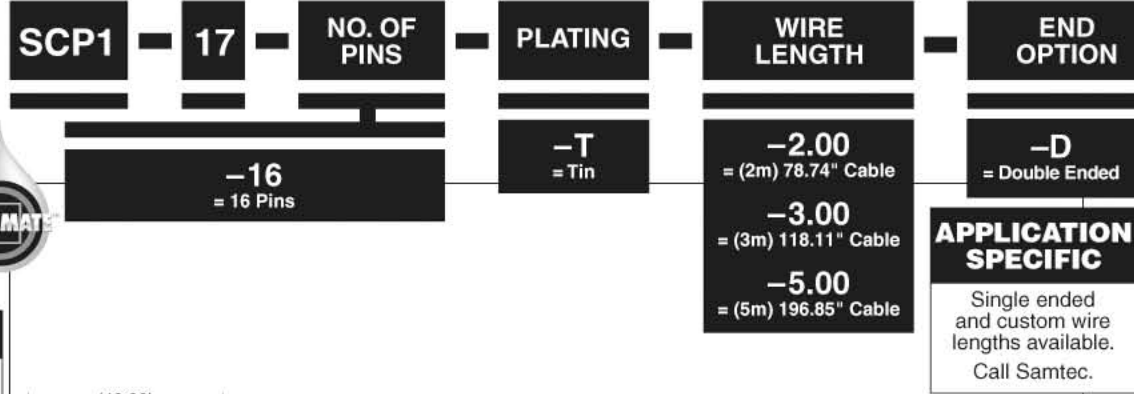


IP68 POWER CIRCULAR SCP1, SCR1 SERIES

SPECIFICATIONS

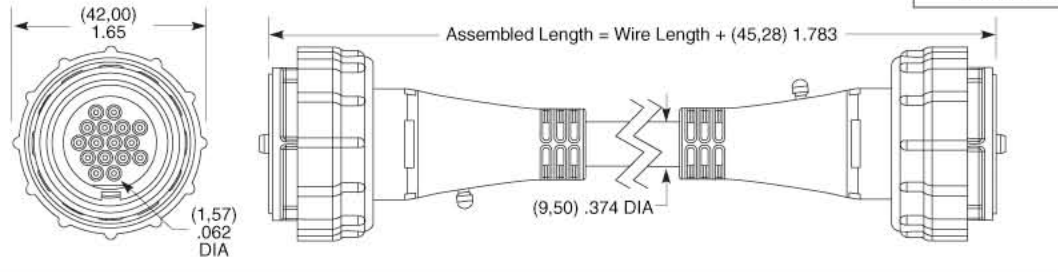
Mates with:
SCR1
For complete specifications see www.samtec.com?SCP1
Insulator Material:
PBT
Terminal Material:
Brass/BeCu
Sealed Overmold:
Nylon
RoHS Compliant:
Yes



ALSO AVAILABLE

Other wire lengths.
Dust Cap: DCA-17-02
Contact Samtec.
Other applications:
Ethernet: See SCPE Series
USB: See SCPU Series
High Density:
See SCP2 Series
RF: See SCPC Series

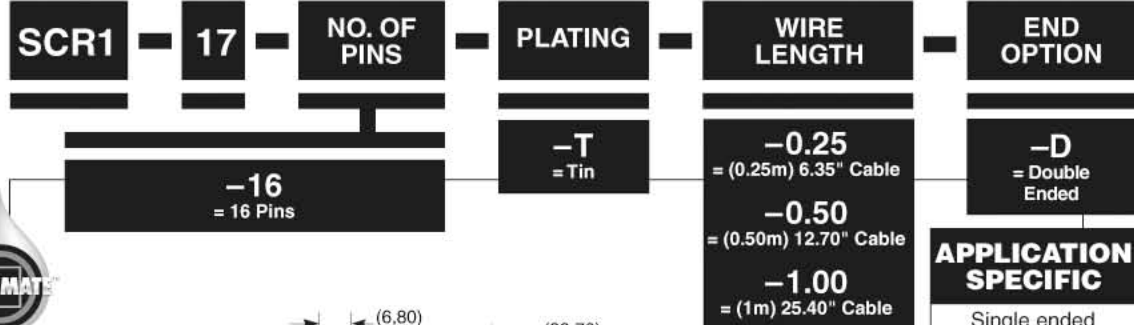
Note: Some lengths, styles and options are non-standard, non-returnable.



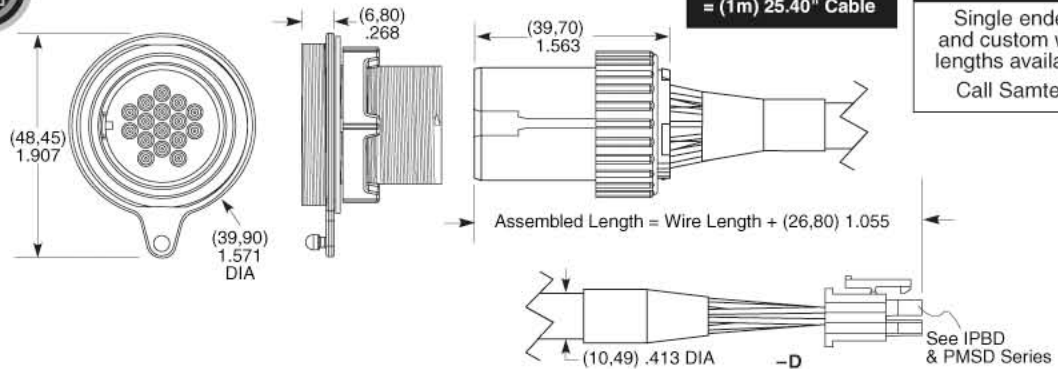
APPLICATION SPECIFIC
Single ended and custom wire lengths available.
Call Samtec.

SPECIFICATIONS

Mates with:
SCP1, IPBT-108
For complete specifications and recommended panel hole layout see www.samtec.com?SCR1
Insulator Material:
PBT
Panel Contacts:
Brass/BeCu
Board Contacts:
Phosphor Bronze
RoHS Compliant:
Yes



ALSO AVAILABLE
Dust Cap: DCA-17-02
Contact Samtec.



Note: This Series is non-standard, non-returnable.

Cable shipped with panel mount hardware but not assembled.

APPLICATION SPECIFIC
Single ended and custom wire lengths available.
Call Samtec.

Due to technical progress, all designs, specifications and components are subject to change without notice.

WWW.SAMTEC.COM