

IP68 MICRO MATE CIRCULAR SCP3, SCR3

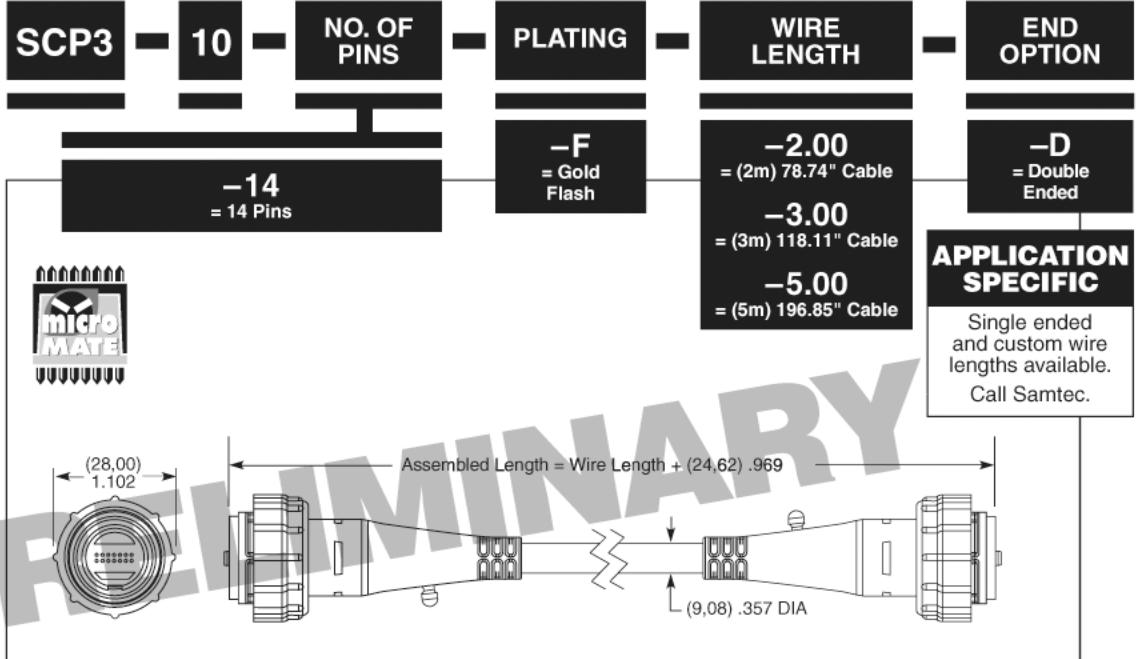
SPECIFICATIONS

Mates with:
SCR3
For complete specifications see www.samtec.com?SCP3
Housing: PBT
Insert: LCP
Terminal Material: Copper Alloy
Wire: 28 AWG
Sealed Overmold: PA66
RoHS Compliant: Yes

ALSO AVAILABLE

Other wire lengths.
Dust Cap: DCA-10-02
Contact Samtec.
Other applications:
Ethernet: See SCPE Series
USB: See SCPU Series
Power: See SCP1 Series
RF: See SCPC Series
High Density: See SCP2 Series

Note: Some lengths, styles and options are non-standard, non-returnable.



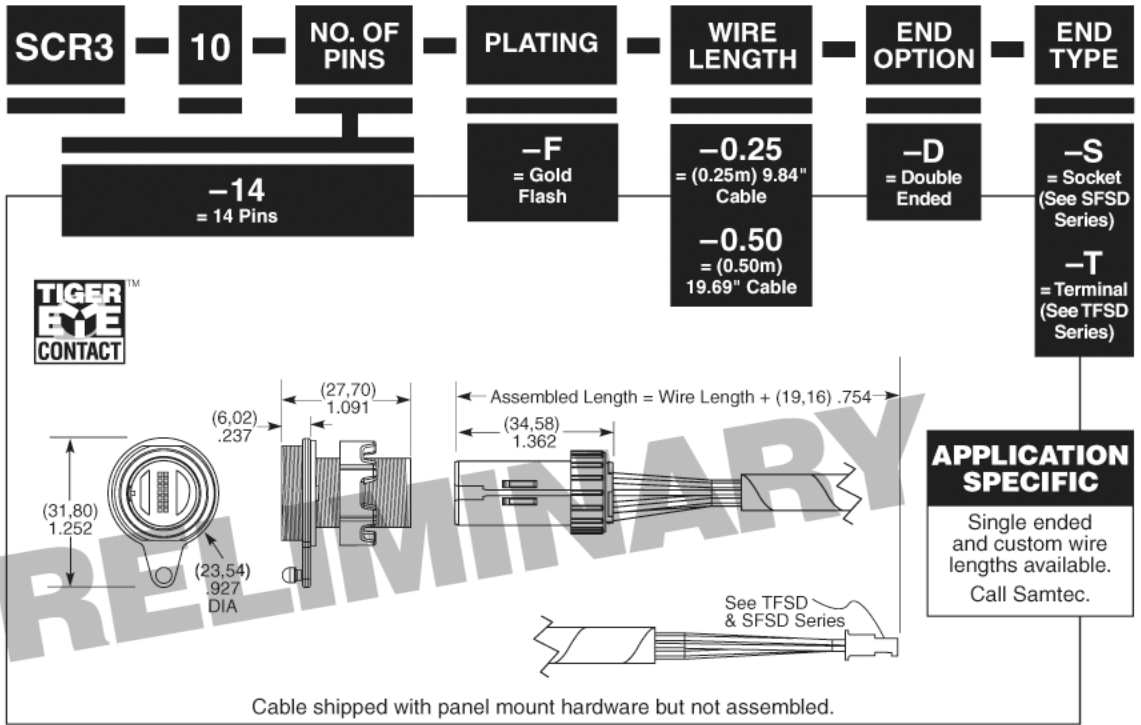
SPECIFICATIONS

Mates with:
SCP3, SFM, TFM
For complete specifications and recommended panel hole layout see www.samtec.com?SCR3
Housing: PBT
Insert: LCP
Panel Contacts: Brass/BeCu
Board Contacts: Phosphor Bronze
Wire: 28 AWG
RoHS Compliant: Yes

ALSO AVAILABLE

Dust Cap: DCA-10-01
Contact Samtec.

Note: Some lengths, styles and options are non-standard, non-returnable.



Due to technical progress, all designs, specifications and components are subject to change without notice.

WWW.SAMTEC.COM