

669 series



features



- Ø8.5mm mounting
- Unique hexagonal bezel to aid mounting to panel
- Sealed to IP68 (0.34 bar)
- Ideal for marine applications
- Hard, black anodised aluminium housing
- Unique PTFE mounting/ panel seal
- Low current versions available
- Pack Quantity = 10 Pieces

specifications

Typical characteristics (Ta = 25°C)

| Part Number | Colour | Voltage Vac/dc | Current DC (mA) | Luminous Intensity (mcd) | Wave Length (nm) | Operating Temp. (°C) | Storage Temp. (°C) | De-rating Graphs |
|-------------|--------|----------------|-----------------|--------------------------|------------------|----------------------|--------------------|------------------|
| 669-503-04 | Red | 2.1 Vdc | 20 | 80 | 625 | -40 - +85 | -40 - +85 | B |
| 669-509-04 | Yellow | 2.2 Vdc | 20 | 45 | 590 | -40 - +85 | -40 - +85 | B |
| 669-512-04 | Green | 2.2 Vdc | 20 | 45 | 565 | -40 - +85 | -40 - +85 | C |

^ = Voltage for 20mA product is Vf at 20mA, not Vopr

- Products must be de-rated according to the de-rating information. Each de-rating graph refers to specific LEDs. Please refer to graphs on page 3.

- Luminous intensity is measured at 20mA on a discrete LED unless otherwise stated.

to order

to order please contact us on: t: +44 (0)1229 582 430

f: +44 (0)1229 585 155 e: sales@marl.co.uk w: www.leds.co.uk

© marl international limited technical documentation has been designed by marl international limited for the intention of providing information, which must not be copied or released to a third party without prior written consent from marl international limited. the information provided does not constitute part of any order or contract and should not be regarded as a representation relating to either products or service. no responsibility can be assumed for inaccuracies or printing errors. marl international limited reserve the right to alter without notice the specification or any conditions of supply for product or service.

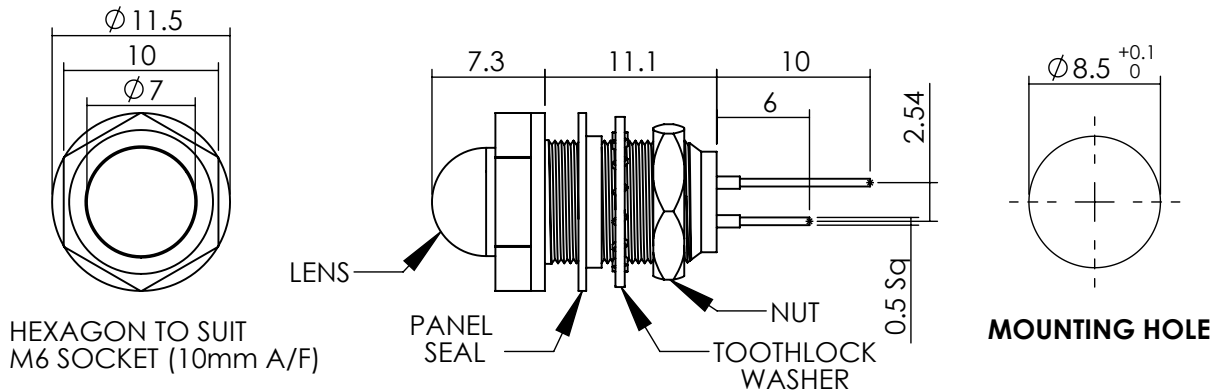


high performance panel lamps

669 series



technical data



Anode termination indicated by red sleeve
Mounting hole to be cleaned and burr free

Dimensions in mm (typical)
Not to scale

Anode termination denoted by red indicator
Mounting hole to be clean and burr free

housing material

| | |
|------------------|---|
| Body | Hard, black anodised Aluminium. Anodised to Def Standard 03/26 50 microns |
| Nut | Bright Nickel Plated Brass |
| Panel Seal | PTFE |
| Fresnel Lens | Polycarbonate |
| Encapsulation | PC5430 Resin |
| Lock Washer | Spring Steel |
| Termination Tags | - |
| Header | - |

technical characteristics

| Series | Max. Power Dissipation | Max. Reverse Voltage | Panel Cutout | Nut Mounting Torque | Min. Mounting Centres | Max. Panel Thickness |
|--------|------------------------|----------------------|--------------|---------------------|-----------------------|----------------------|
| 669 | 75 | 3* | 8.5 | 1.0 | 14.5 | 1.5 - 5.0 |
| units | mW | Vdc | mm | Nm | mm | mm |

* = Current Version ^ = Voltage Version

to order

to order please contact us on: t: +44 (0)1229 582 430 f: +44 (0)1229 585 155
e: sales@marl.co.uk w: www.leds.co.uk

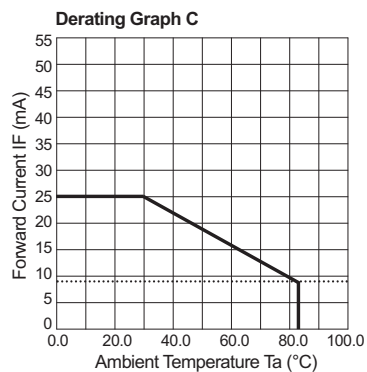
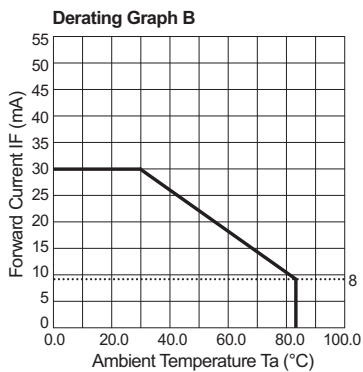
© marl international limited technical documentation has been designed by marl international limited for the intention of providing information, which must not be copied or released to a third party without prior written consent from marl international limited. the information provided does not constitute part of any order or contract and should not be regarded as a representation relating to either products or service. no responsibility can be assumed for inaccuracies or printing errors. marl international limited reserve the right to alter without notice the specification or any conditions of supply for product or service.



669 series



de-rating information



to order

to order please contact us on: **t: +44 (0)1229 582 430 f: +44 (0)1229 585 155**
e: sales@marl.co.uk w: www.leds.co.uk

© marl international limited technical documentation has been designed by marl international limited for the intention of providing information, which must not be copied or released to a third party without prior written consent from marl international limited. the information provided does not constitute part of any order or contract and should not be regarded as a representation relating to either products or service. no responsibility can be assumed for inaccuracies or printing errors. marl international limited reserve the right to alter without notice the specification or any conditions of supply for product or service.



669 series



design considerations

Electro-Static Discharge (ESD)

Build up of electro-static discharge occurs in many situations involving people moving and handling products. The range of possible situations is very diverse but voltage levels as high as several thousand volts can and do arise in many individual situations. When an operator charged up to these levels handles a static sensitive device, there is a very probable likelihood that the device will be irreversibly damaged. It is essential that precautions are taken at all stages during manufacture and assembly of these products. Although LEDs were never considered to be static sensitive devices, changes in manufacturing technology and materials used to produce higher intensity products over a large range of the wavelength spectrum have changed this. Marl has an approved system of ESD control from goods in, through production and into final packing and despatch. Marl recommend all users of LED based products follow the guidelines of BS 100015.

Power De-Rating

The forward voltage/ current value of an LED is dependant upon the ambient temperature of the environment in which it is operated. Therefore, care must be taken to operate the LED at the correct voltage/ current values, depending upon the ambient temperature. Consequently, a recommendation regarding operating voltages and currents is given in order to address these temperature effects. This recommendation is termed 'de-rating'. It is usual for forward voltages and currents to be specified for ambient temperature of 25°C. However, because the values of these qualities vary with temperature, please refer to the de-rating graphs for correct operation. Marl accept no liability for any product that is operated higher than the stated voltage.

to order

**to order please contact us on: t: +44 (0)1229 582 430 f: +44 (0)1229 585 155
e: sales@marl.co.uk w: www.leds.co.uk**

© marl international limited technical documentation has been designed by marl international limited for the intention of providing information, which must not be copied or released to a third party without prior written consent from marl international limited. the information provided does not constitute part of any order or contract and should not be regarded as a representation relating to either products or service. no responsibility can be assumed for inaccuracies or printing errors. marl international limited reserve the right to alter without notice the specification or any conditions of supply for product or service.

