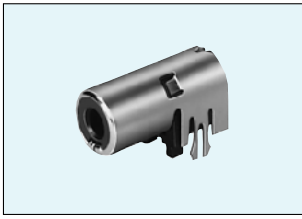


Horizontal Type Pin Jacks

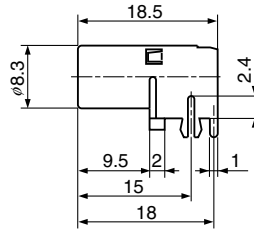
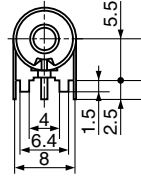
Unit: mm

JPJ0545 Series

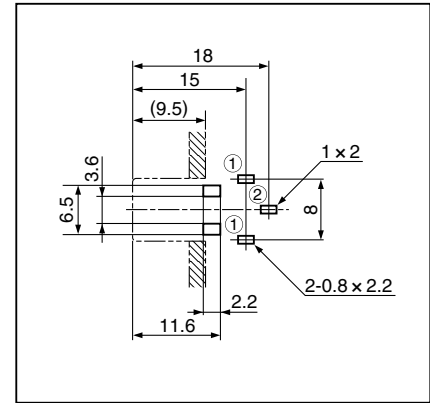
h = 5.5 mm



JPJ0545



P.C. Board Thickness=1



Hole Layout
(Bottom View)

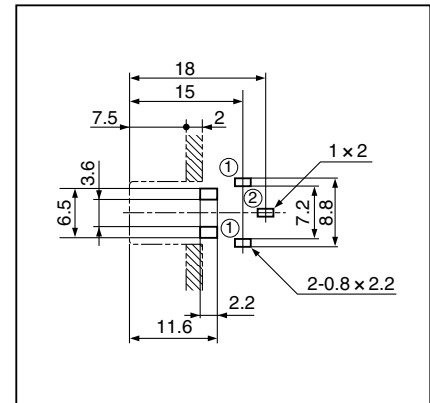
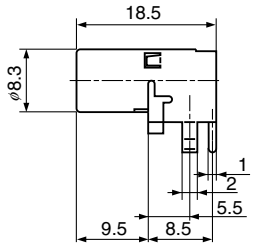
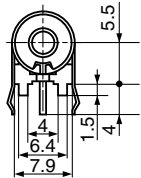
Schematic	Housing Color	Cover	
		Ni Plated	Solder Plated
	Black	JPJ0545-01-210	JPJ0545-010115
	Red	JPJ0545-01-220	JPJ0545-010125
	White	JPJ0545-01-230	JPJ0545-010135
	Yellow	JPJ0545-01-240	JPJ0545-010145

JPJ2545 Series

h = 5.5 mm



JPJ2545

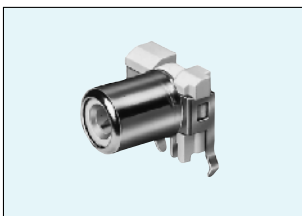


Hole Layout
(Bottom View)

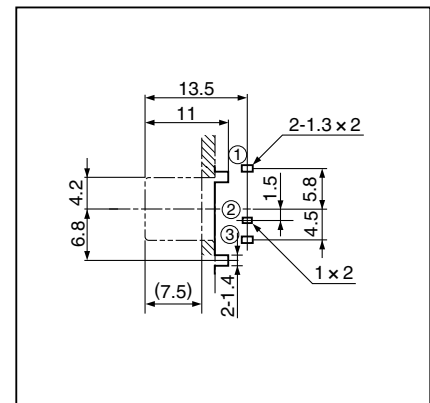
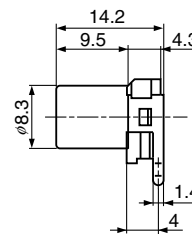
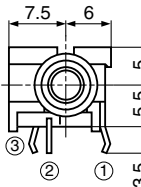
Schematic	Housing Color	Cover		
		Ni Plated	Solder Plated	Au Plated
	Black	JPJ2545-01-510	JPJ2546-01-510	JPJ2548-01-010
	Red	JPJ2545-01-520	JPJ2546-01-520	JPJ2548-01-020
	White	JPJ2545-01-530	JPJ2546-01-530	JPJ2548-01-030
	Yellow	JPJ2545-01-540	JPJ2546-01-540	JPJ2548-01-040
	Blue	JPJ2545-01-550	JPJ2546-01-550	JPJ2548-01-050

JPJ1002 Series

h = 5.5 mm



JPJ1002



Hole Layout
(Bottom View)

Schematic	Cover	Housing Color				
		Ni Plated	Solder Plated	Au Plated	Ni Plated	
		Black	JPJ2039-01-010	JPJ2039-01-710	JPJ2039-01-810	JPJ1002-01-510
		Red	JPJ2039-01-020	JPJ2039-01-720	JPJ2039-01-820	JPJ1002-01-520
		White	JPJ2039-01-030	JPJ2039-01-730	JPJ2039-01-830	JPJ1002-01-530
		Yellow	JPJ2039-01-040	JPJ2039-01-740	JPJ2039-01-840	JPJ1002-01-540
		Blue	JPJ2039-01-050	JPJ2039-01-750	JPJ2039-01-850	JPJ1002-01-550