

PLEASE CHECK WWW.MOLEX.COM FOR LATEST PART INFORMATION

Part Number: **0459854483**
Status: **Active**
Overview: extreme_lphpower
Description: 1.27mm (.050"), 12.00mm (.472") Pitch, EXTreme LPHPower™ Header, Right Angle, 4 Power Contacts, 40 Signal Contacts, Select Gold (Au) Plating, for 1.57mm (.062") Thick PC Board, with Guide Pockets, with Press-fit Plastic Pegs

Documents:

[3D Model](#) [Product Specification PS-45984-001 \(PDF\)](#)
[Drawing \(PDF\)](#) [RoHS Certificate of Compliance \(PDF\)](#)



Agency Certification

| | |
|-----|----------|
| CSA | LR19980 |
| TUV | 30683046 |
| UL | E29179 |

General

| | |
|----------------|-------------------------|
| Product Family | PCB Headers |
| Series | <u>45985</u> |
| Application | Board-to-Board |
| Overview | <u>extreme_lphpower</u> |
| Product Name | EXTreme LPHPower™ |

Physical

| | |
|--------------------------------|-------------------------------------|
| Breakaway | No |
| Circuits (Loaded) | 44 |
| Circuits (maximum) | 44 |
| Circuits Detail | 4 Power, 40 Signal |
| Color - Resin | Black |
| Durability (mating cycles max) | 250 |
| First Mate / Last Break | Yes |
| Flammability | 94V-0 |
| Glow-Wire Compliant | No |
| Guide to Mating Part | Yes |
| Keying to Mating Part | None |
| Lock to Mating Part | No |
| Material - Metal | Brass, High Performance Alloy (HPA) |
| Material - Plating Mating | Gold |
| Material - Plating Termination | Tin |
| Material - Resin | High Temperature Thermoplastic |
| Number of Rows | 2 |
| Orientation | Right Angle |
| PC Tail Length (in) | 0.114 In |
| PC Tail Length (mm) | 2.90 mm |
| PCB Locator | Yes |
| PCB Retention | Yes |
| PCB Thickness Recommended (in) | 0.062 In |
| PCB Thickness Recommended (mm) | 1.57 mm |
| Packaging Type | Tray |
| Pitch - Mating Interface (in) | 0.050 In, 0.472 In |
| Pitch - Mating Interface (mm) | 1.27 mm, 12.00 mm |
| Plating min: Mating (µin) | 30 |
| Plating min: Mating (µm) | 0.75 |
| Plating min: Termination (µin) | 150, 50 |
| Plating min: Termination (µm) | 1.25, 3.75 |
| Polarized to Mating Part | Yes |

EU RoHS

ELV and RoHS Compliant

REACH SVHC

Contains SVHC: No

Halogen-Free

Status

Halogen-Free

Need more information on product environmental compliance?

Email productcompliance@molex.com
 For a multiple part number RoHS Certificate of Compliance, [click here](#)

Please visit the [Contact Us](#) section for any non-product compliance questions.

China RoHS



Search Parts in this Series

45985Series

Mates With

45984 EXTreme LPHPower™ PCB Receptacles

| | |
|--------------------------------|-----------------|
| Polarized to PCB | Yes |
| Shrouded | Fully |
| Stackable | No |
| Surface Mount Compatible (SMC) | Yes |
| Temperature Range - Operating | -40°C to +105°C |
| Termination Interface: Style | Through Hole |

Electrical

| | |
|-------------------------------|------------------|
| Current - Maximum per Contact | 30A |
| Voltage - Maximum | 250V AC (RMS)/DC |

Solder Process Data

| | |
|--|------------------------|
| Duration at Max. Process Temperature (seconds) | 20 |
| Lead-free Process Capability | Wave Capable (TH only) |
| Max. Cycles at Max. Process Temperature | 3 |
| Process Temperature max. C | 260 |

Material Info

Reference - Drawing Numbers

| | |
|-------------------------|--------------|
| Packaging Specification | PK-45984-001 |
| Product Specification | PS-45984-001 |
| Sales Drawing | SD-45985-400 |

This document was generated on 05/25/2010

PLEASE CHECK WWW.MOLEX.COM FOR LATEST PART INFORMATION



- NOTES:
1. MATERIAL: LCP, 94V-0, BLACK
POWER CONTACT: COPPER ALLOY
SIGNAL CONTACT: PHOSPHOR BRONZE
 2. FINISH: SELECT GOLD 0.76µM/30 MI MIN. IN CONTACT AREA
SELECT TIN 3.81µM/150 MI MIN. IN PC TAIL AREA
BOTH OVER NICKEL 1.27µM/50 MI MIN
 3. PRODUCT SPECIFICATION: PS-45984-001
 4. PACKAGING SPECIFICATION: TRAY PER PK-45984-001.
 5. SEE SHEET 5 FOR CIRCUIT IDENTIFICATION.
 6. PARTS ARE RoHS COMPLIANT.
 7. PEG HOLES ARE OPTIONAL PCB FEATURES AND ARE REQUIRED ONLY WITH THE PEGGED OPTIONS.
 8. MATES WITH MOLEX RECEPTACLE SERIES 45984-4***.



| NO OF SIGNAL | MATERIAL NUMBER | DIM A REF | DIM P | PCB THK |
|--------------|-----------------|-----------|-------|---------|
| 12 | 45985-4111 | 36.16 | 4.50 | 3.18 |
| 16 | 45985-4121 | 38.70 | | |
| 20 | 45985-4131 | 41.24 | | |
| 24 | 45985-4141 | 43.78 | | |
| 28 | 45985-4151 | 46.32 | | |
| 32 | 45985-4161 | 48.86 | | |
| 36 | 45985-4171 | 51.40 | 3.90 | 2.36 |
| 40 | 45985-4181 | 53.94 | | |
| 12 | 45985-4112 | 36.16 | | |
| 16 | 45985-4122 | 38.70 | | |
| 20 | 45985-4132 | 41.24 | | |
| 24 | 45985-4142 | 43.78 | | |
| 28 | 45985-4152 | 46.32 | 2.90 | 1.57 |
| 32 | 45985-4162 | 48.86 | | |
| 36 | 45985-4172 | 51.40 | | |
| 40 | 45985-4182 | 53.94 | | |
| 12 | 45985-4113 | 36.16 | | |
| 16 | 45985-4123 | 38.70 | | |
| 20 | 45985-4133 | 41.24 | 2.90 | 1.57 |
| 24 | 45985-4143 | 43.78 | | |
| 28 | 45985-4153 | 46.32 | | |
| 32 | 45985-4163 | 48.86 | | |
| 36 | 45985-4173 | 51.40 | | |
| 40 | 45985-4183 | 53.94 | | |



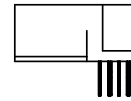
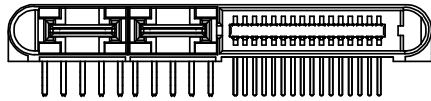
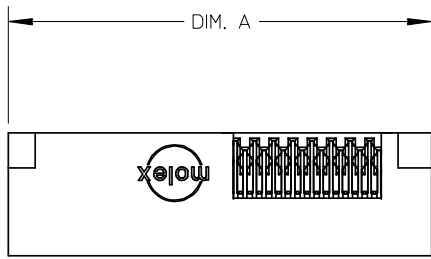
45985-4161
(SHOWN FOR REFERENCE)
SEE CHART

| | |
|---------------------|-------------|
| REVISED | DESCRIPTION |
| EC NO: UCP2007-3140 | |
| DRWN:MBANDURA | 2008/03/03 |
| CHKD: | 2008/03/04 |
| APPR:APATEL | 2008/03/06 |
| C | REV |

| GENERAL TOLERANCES (UNLESS SPECIFIED) | | |
|--|--------|-------|
| | mm | INCH |
| 4 PLACES | ± --- | ± --- |
| 3 PLACES | ± --- | ± --- |
| 2 PLACES | ± 0.25 | ± --- |
| 1 PLACE | ± --- | ± --- |
| ANGULAR ±1/2° | | |
| DRAFT WHERE APPLICABLE MUST REMAIN WITHIN DIMENSIONS | | |

| DIMENSION STYLE | |
|-----------------|---------|
| MM ONLY | |
| DRAWN BY | DATE |
| JSCHAFFER | 6-10-05 |
| CHECKED BY | DATE |
| YMARGUL IS | 6-14-05 |
| APPROVED BY | DATE |
| YMARGUL IS | 6-15-05 |
| MATERIAL NO. | |
| SEE CHART | |
| SIZE | |
| A | |

| | | | |
|---|--------------|------------------------|-----------|
| SCALE | DESIGN UNITS | THIRD ANGLE PROJECTION | |
| 1:1 | METRIC | | |
| TITLE | | | |
| LPH PLUG ASSEMBLY RT ANGLE 4 CIRCUIT POWER CONNECTOR | | | |
| MOLEX INCORPORATED | | | |
| DOCUMENT NO. | | | SHEET NO. |
| SD-45985-400 | | | 1 OF 5 |
| THIS DRAWING CONTAINS INFORMATION THAT IS PROPRIETARY TO MOLEX INCORPORATED AND SHOULD NOT BE USED WITHOUT WRITTEN PERMISSION | | | |



GUIDE OPTIONS

| NO OF SIGNAL | MATERIAL NUMBER | DIM A REF | DIM P | PCB THK |
|--------------|-----------------|-----------|-------|---------|
| 12 | 45985-4211 | 43.66 | 4.50 | 3.18 |
| 16 | 45985-4221 | 46.20 | | |
| 20 | 45985-4231 | 48.74 | | |
| 24 | 45985-4241 | 51.28 | | |
| 28 | 45985-4251 | 53.82 | | |
| 32 | 45985-4261 | 56.36 | | |
| 36 | 45985-4271 | 58.90 | 3.90 | 2.36 |
| 40 | 45985-4281 | 61.44 | | |
| 12 | 45985-4212 | 43.66 | | |
| 16 | 45985-4222 | 46.20 | | |
| 20 | 45985-4232 | 48.74 | | |
| 24 | 45985-4242 | 51.28 | | |
| 28 | 45985-4252 | 53.82 | 2.90 | 1.57 |
| 32 | 45985-4262 | 56.36 | | |
| 36 | 45985-4272 | 58.90 | | |
| 40 | 45985-4282 | 61.44 | | |
| 12 | 45985-4213 | 43.66 | | |
| 16 | 45985-4223 | 46.20 | | |
| 20 | 45985-4233 | 48.74 | 2.90 | 1.57 |
| 24 | 45985-4243 | 51.28 | | |
| 28 | 45985-4253 | 53.82 | | |
| 32 | 45985-4263 | 56.36 | | |
| 36 | 45985-4273 | 58.90 | | |
| 40 | 45985-4283 | 61.44 | | |

NOTE:
1. SEE SHEET 1 FOR DIMENSIONS NOT SHOWN.



45985-4261
(SHOWN FOR REFERENCE)
SEE CHART

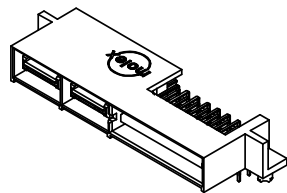
| | | | | | | | |
|--|---------------------------------------|--|----------------------------|---|-----------------|---|------------------------|
| REVISED EC NO: UCP2007-3140 DRWN:MBANDURA 2008/03/03 CHKD: 2008/03/04 APPR:APATEL 2008/03/06 DESCRIPTION REV | GENERAL TOLERANCES (UNLESS SPECIFIED) | | DIMENSION STYLE MM ONLY | | SCALE 1:1 | DESIGN UNITS METRIC | THIRD ANGLE PROJECTION |
| | | mm | INCH | DRAWN BY JSCHAFFER | DATE 6-10-05 | TITLE LPH PLUG ASSEMBLY RT ANGLE 4 CIRCUIT POWER CONNECTOR | |
| | 4 PLACES | ± --- | ± --- | CHECKED BY YMARGUL IS | DATE 6-14-05 | | |
| | 3 PLACES | ± --- | ± --- | APPROVED BY YMARGUL IS | DATE 6-15-05 | MOLEX INCORPORATED | |
| | 2 PLACES | ± 0.25 | ± --- | MATERIAL NO. SEE CHART | | DOCUMENT NO. SD-45985-400 | SHEET NO. 2 OF 5 |
| | 1 PLACE | ± --- | ± --- | THIS DRAWING CONTAINS INFORMATION THAT IS PROPRIETARY TO MOLEX INCORPORATED AND SHOULD NOT BE USED WITHOUT WRITTEN PERMISSION | | | |
| ANGULAR ±1/2° | | DRAFT WHERE APPLICABLE MUST REMAIN WITHIN DIMENSIONS | | | | | |



MOUNTING PEG OPTIONS

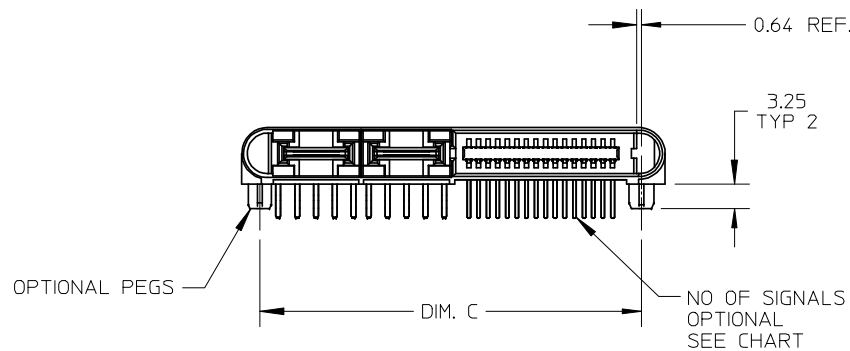
| NO OF SIGNAL | MATERIAL NUMBER | DIM A REF | DIM C | DIM P | PCB THK |
|--------------|-----------------|-----------|-------|-------|---------|
| 12 | 45985-4311 | 43.66 | 37.98 | 4.50 | 3.18 |
| 16 | 45985-4321 | 46.20 | 40.52 | | |
| 20 | 45985-4331 | 48.74 | 43.06 | | |
| 24 | 45985-4341 | 51.28 | 45.60 | | |
| 28 | 45985-4351 | 53.82 | 48.14 | | |
| 32 | 45985-4361 | 56.36 | 50.68 | | |
| 36 | 45985-4371 | 58.90 | 53.22 | 3.90 | 2.36 |
| 40 | 45985-4381 | 61.44 | 55.76 | | |
| 12 | 45985-4312 | 43.66 | 37.98 | | |
| 16 | 45985-4322 | 46.20 | 40.52 | | |
| 20 | 45985-4332 | 48.74 | 43.06 | | |
| 24 | 45985-4342 | 51.28 | 45.60 | | |
| 28 | 45985-4352 | 53.82 | 48.14 | | |
| 32 | 45985-4362 | 56.36 | 50.68 | | |
| 36 | 45985-4372 | 58.90 | 53.22 | | |
| 40 | 45985-4382 | 61.44 | 55.76 | 2.90 | 1.57 |
| 12 | 45985-4313 | 43.66 | 37.98 | | |
| 16 | 45985-4323 | 46.20 | 40.52 | | |
| 20 | 45985-4333 | 48.74 | 43.06 | | |
| 24 | 45985-4343 | 51.28 | 45.60 | | |
| 28 | 45985-4353 | 53.82 | 48.14 | | |
| 32 | 45985-4363 | 56.36 | 50.68 | | |
| 36 | 45985-4373 | 58.90 | 53.22 | | |
| 40 | 45985-4383 | 61.44 | 55.76 | | |

NOTE:
1. SEE SHEET 1 FOR DIMENSIONS NOT SHOWN.



45985-4361
(SHOWN FOR REFERENCE)
SEE CHART

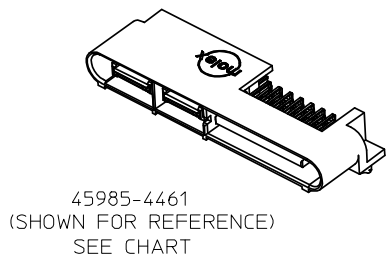
| | | | | | | | | |
|---|---------------------------------------|-------|----------------------------|--------------------------|---|---|------------------------|--|
| REVISED EC NO: UCP2007-3140 DRWN:MBANDURA 2008/03/03 CHKD: 2008/03/04 APPR:APATEL 2008/03/06 REV DESCRIPTION | GENERAL TOLERANCES (UNLESS SPECIFIED) | | DIMENSION STYLE MM ONLY | | SCALE 1:1 | DESIGN UNITS METRIC | THIRD ANGLE PROJECTION | |
| | | mm | INCH | DRAWN BY JSCHAFFER | DATE 6-10-05 | TITLE LPH PLUG ASSEMBLY RT ANGLE 4 CIRCUIT POWER CONNECTOR | | |
| | 4 PLACES | ± --- | ± --- | CHECKED BY YMARGULIS | DATE 6-14-05 | | | |
| | 3 PLACES | ± --- | ± --- | APPROVED BY YMARGULIS | DATE 6-15-05 | MOLEX INCORPORATED | | |
| 2 PLACES | ± 0.25 | ± --- | MATERIAL NO. SEE CHART | | DOCUMENT NO. SD-45985-400 | | | |
| 1 PLACE | ± --- | ± --- | ANGULAR ±1/2° | | THIS DRAWING CONTAINS INFORMATION THAT IS PROPRIETARY TO MOLEX INCORPORATED AND SHOULD NOT BE USED WITHOUT WRITTEN PERMISSION | | | |
| DRAFT WHERE APPLICABLE MUST REMAIN WITHIN DIMENSIONS | | | SIZE A | | | | | |



GUIDE & MOUNTING PEG OPTIONS

| NO OF SIGNAL | MATERIAL NUMBER | DIM A REF | DIM C | DIM P | PCB THK |
|--------------|-----------------|-----------|-------|-------|---------|
| 12 | 45985-4411 | 43.66 | 37.98 | 4.50 | 3.18 |
| 16 | 45985-4421 | 46.20 | 40.52 | | |
| 20 | 45985-4431 | 48.74 | 43.06 | | |
| 24 | 45985-4441 | 51.28 | 45.60 | | |
| 28 | 45985-4451 | 53.82 | 48.14 | | |
| 32 | 45985-4461 | 56.36 | 50.68 | | |
| 36 | 45985-4471 | 58.90 | 53.22 | 3.90 | 2.36 |
| 40 | 45985-4481 | 61.44 | 55.76 | | |
| 12 | 45985-4412 | 43.66 | 37.98 | | |
| 16 | 45985-4422 | 46.20 | 40.52 | | |
| 20 | 45985-4432 | 48.74 | 43.06 | | |
| 24 | 45985-4442 | 51.28 | 45.60 | | |
| 28 | 45985-4452 | 53.82 | 48.14 | | |
| 32 | 45985-4462 | 56.36 | 50.68 | | |
| 36 | 45985-4472 | 58.90 | 53.22 | 2.90 | 1.57 |
| 40 | 45985-4482 | 61.44 | 55.76 | | |
| 12 | 45985-4413 | 43.66 | 37.98 | | |
| 16 | 45985-4423 | 46.20 | 40.52 | | |
| 20 | 45985-4433 | 48.74 | 43.06 | | |
| 24 | 45985-4443 | 51.28 | 45.60 | | |
| 28 | 45985-4453 | 53.82 | 48.14 | | |
| 32 | 45985-4463 | 56.36 | 50.68 | | |
| 36 | 45985-4473 | 58.90 | 53.22 | | |
| 40 | 45985-4483 | 61.44 | 55.76 | | |

NOTE:
1. SEE SHEET 1 FOR DIMENSIONS NOT SHOWN.



| | |
|--------------------------|-------------|
| REVISED | DESCRIPTION |
| EC NO: UCP2007-3140 | |
| DRWN:MBANDURA 2008/03/03 | |
| CHKD: 2008/03/04 | |
| APPR:APATEL 2008/03/06 | |
| C | REV |

| | |
|--|--------------|
| GENERAL TOLERANCES (UNLESS SPECIFIED) | |
| | mm INCH |
| 4 PLACES | ± --- ± --- |
| 3 PLACES | ± --- ± --- |
| 2 PLACES | ± 0.25 ± --- |
| 1 PLACE | ± --- ± --- |
| ANGULAR ±1/2° | |
| DRAFT WHERE APPLICABLE MUST REMAIN WITHIN DIMENSIONS | |

| | |
|-----------------|---------|
| DIMENSION STYLE | |
| MM ONLY | |
| DRAWN BY | DATE |
| JSCHAFFER | 6-10-05 |
| CHECKED BY | DATE |
| YMARGUL IS | 6-14-05 |
| APPROVED BY | DATE |
| YMARGUL IS | 6-15-05 |
| MATERIAL NO. | |
| SEE CHART | |
| SIZE | |
| A | |

| | | |
|--|--------------|------------------------|
| SCALE | DESIGN UNITS | THIRD ANGLE PROJECTION |
| 1:1 | METRIC | |
| TITLE | | |
| LPH PLUG ASSEMBLY RT ANGLE 4 CIRCUIT POWER CONNECTOR | | |
| MOLEX INCORPORATED | | |
| DOCUMENT NO. | SHEET NO. | |
| SD-45985-400 | 4 OF 5 | |

CIRCUIT NUMBERING SYSTEM



| | | | | | | | | |
|---|---------------------------------------|--------|--|---------------------------|-----------------|---|------------------------|--|
| REVISED EC NO: UCP2007-3140 DRWN:MBANDURA 2008/03/03 CHKD: 2008/03/04 APPR:APATEL 2008/03/06 DESCRIPTION | GENERAL TOLERANCES (UNLESS SPECIFIED) | | DIMENSION STYLE MM ONLY | | SCALE 2:1 | DESIGN UNITS METRIC | THIRD ANGLE PROJECTION | |
| | | mm | INCH | DRAWN BY JSCHAFFER | DATE 6-10-05 | TITLE LPH PLUG ASSEMBLY RT ANGLE 4 CIRCUIT POWER CONNECTOR | | |
| | 4 PLACES | ± --- | ± --- | CHECKED BY YMARGUL IS | DATE 6-14-05 | | | |
| | 3 PLACES | ± --- | ± --- | APPROVED BY YMARGUL IS | DATE 6-15-05 | MOLEX INCORPORATED DOCUMENT NO. SD-45985-400 SHEET NO. 5 OF 5 | | |
| | 2 PLACES | ± 0.25 | ± --- | MATERIAL NO. SEE CHART | | | | |
| 1 PLACE | ± --- | ± --- | DRAFT WHERE APPLICABLE MUST REMAIN WITHIN DIMENSIONS | | | | | |