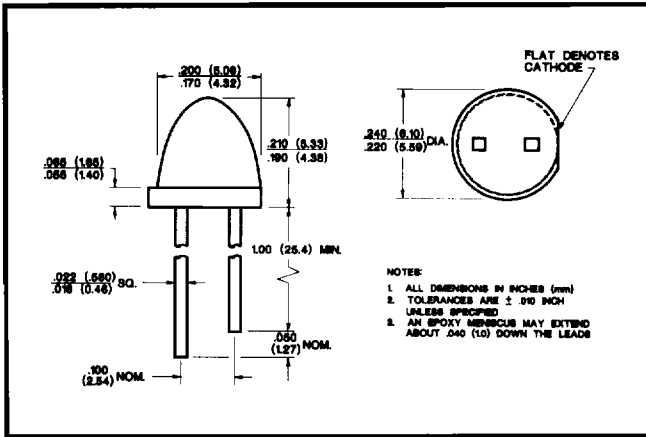




T-1³/₄ Low Profile LED Lamps

DESCRIPTION AND FEATURES

4
Solid State
Products



These low profile T-1³/₄ lamps are available in a variety of color and lens effects providing a versatile package for many applications.

ELECTRO-OPTICAL CHARACTERISTICS

Part Number	Emitted Color	Lens Color	Package Type	Luminous Intensity			Forward Voltage			Capacitance pF Vr=0, f=1MHz	Peak Wavelength (nm)	View Angle (Degrees)
				Min. mcd	Typ. mcd	mA	Typ. mA	Max. mA	mA			
CMD50152	Red	Red	Non-Diffused	0.6	2.0	10	1.6	2.0	10	30	660	45
CMD50154	Red	Red	Diffused	0.4	1.5	10	1.6	2.0	10	30	660	50
CMD53152	Yellow	Yellow	Non-Diffused	3.0	10.0	10	2.1	3.0	10	45	585	45
CMD53154	Yellow	Yellow	Diffused	1.5	8.0	10	2.1	3.0	10	45	585	50
CMD54152	H.E. Green	Green	Non-Diffused	2.5	15.0	10	2.2	3.0	10	20	565	45
CMD54154	H.E. Green	Green	Diffused	2.0	12.0	10	2.2	3.0	10	20	565	50
CMD57152	H.E. Red	Orange	Non-Diffused	4.0	10.0	10	2.0	3.0	10	45	630	45
CMD57154	H.E. Red	Orange	Diffused	2.0	8.0	10	2.0	3.0	10	45	630	50

ABSOLUTE MAXIMUM RATINGS

	Std. Red	H.E. Red Yellow	H.E. Green	Units
Power Dissipation	180	105	105	mW
Storage/Operating Temperature	-55 to +100	-55 to +100	-55 to +100	°C
Lead Solder Time at 260°C	5	5	5	Seconds
Peak Forward Current (1 micro second pulse, 0.3% Duty Cycle)	1000	1000	90	mA
Reverse Voltage (IR = 100µA)	5.0	5.0	5.0	V
Average Forward Current	35	35	35	mA

TYPICAL CHARACTERISTIC CURVES

