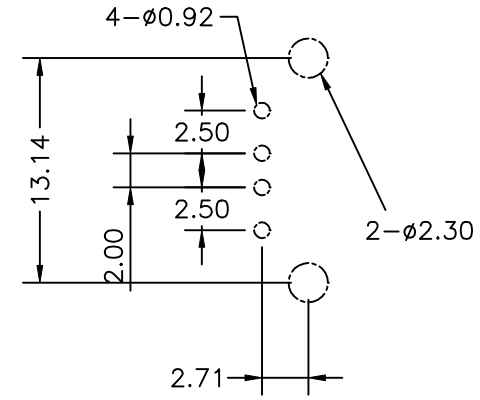
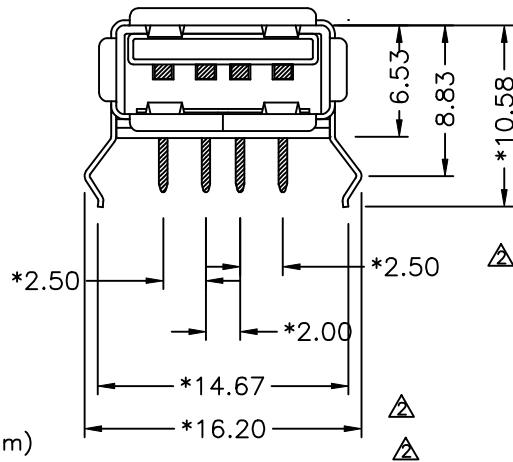
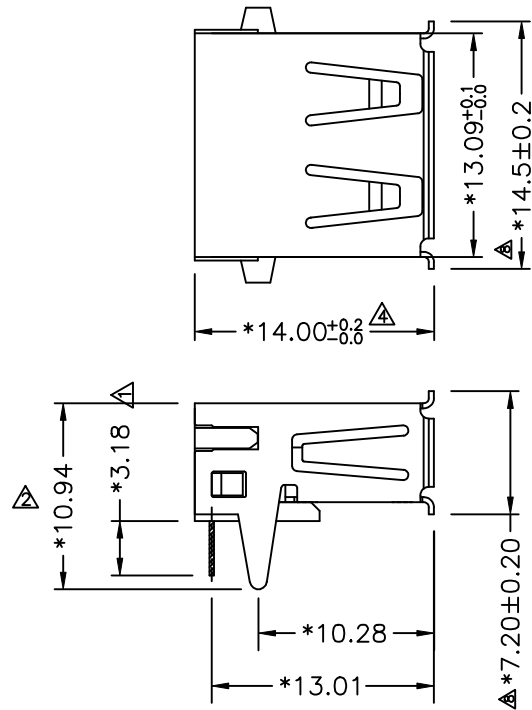


A1RFRD10



USB-PCB LAYOUT

REVISION RECORD				
REV	ECO	DESCRIPTION	DRFT	CHKD
△		MODIFY DIM	8/07/99	
△		MODIFY NOTE	8/17/99	
△		ADD PART NO	7/12/01	
△		MODIFY DIM	7/17/02	
△		ADD PART NO	11/12/02	
△		MODIFY ELECTRICAL	11/12/02	
△		ADD P/N.	05/31/05	
△		MODIFY DIM	12/28/05	

NOTES:

- MATERIAL:
 TERMINAL-C5191 PHOSPHOR BRONZE HARD. (t=0.25mm)
 SHIELD-COPPER ALLOY(t=0.30mm)
 HOUSING-PBT+ 30% G.F. UL94V-0/COLOR: WHITE & BLACK.
- PLATING:
 △ CONTACT-AREA-SELECTIVE PLATING. ON THE MATING END.
 TAILS-150u" TIN-LEAD MIN OVER 50u" NICKEL.
 △ SHIELD-120u" TIN-LEAD MIN OVER 50u" NICKEL.
 OR 100u" NI MIN OVER 30u" Cu.
- TOLERANCE: ±0.3mm.±3°.
- GAP. 0.25mm (Max.)
- ELECTRICAL:
 VOLTAGE RATING: 30 VAC RMS.
 CURRENT RATING: 1.0 AMP
 CONTACT RESISTANCE: 30 MILLIOHMS MAX
 INSULATION RESISTANCE: 1000 MEGOHMS MIN @500 VDC
 DIELECTRIC STRENGTH: 750 VAC RMS 60 HZ, 1 MIN
 OPERATING LIFE: 1500 CYCLES MIN
 MATING FORCE: 3.5 KGS MAX
 UNMATING FORE: 1 KGS MIN
 STORAGE: -40°C TO +85°C
 OPERATION: 0°C TO 70°C
 CAPACITANCE: 2 PF MAX 1KHZ

△ 6.PART NUMBER: E8144-AXXX2X

- 0-C2680H
- 1-C5191H
- 1-NICKEL
- 2-TIN
- 0-A06-0080(BLACK)
- 3-A06-0010(WHITE)
- 7-A06-0980(GREY)
- C-A06-1400(BLUE)
- 1-Au3u"
- 3-Au15u" △
- 4-Au30u"
- 7-Pd30u"

← MM (INCH) → TOLERANCES EXCEPT AS NOTED		DFTO Jerry DATE 5/10/99 CHKD ASHELLY DATE 2005/12/28 MFO DATE	FULL RISE ELECTRONIC CO., LTD TITLE USB Series A, 4-Position Dip Type	
DETACHED LISTS MM .0 ±0.20 ± .00 ±0.15 ± .000 ±0.075 ±	APPVL LUSHENG DATE 2005/12/28 MATERIAL :	DRAWING NO. GE813A01 /PART NO. SEE NOTE		
ANGLES ± THIRD ANGLE PROJECTION	QTY : FINISH : SCALE :	DO NOT SCALE DRAWING SHEET X OF Y		