

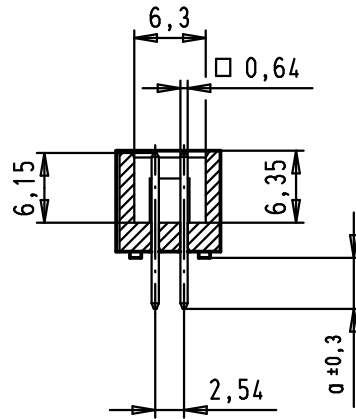
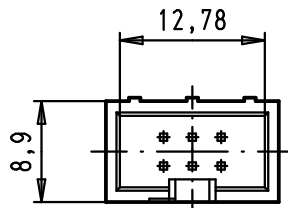
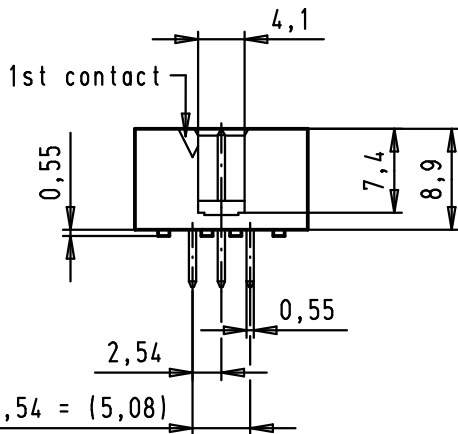
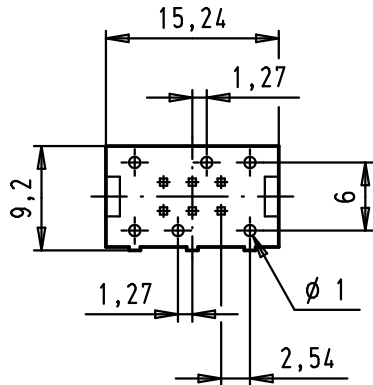
5

4

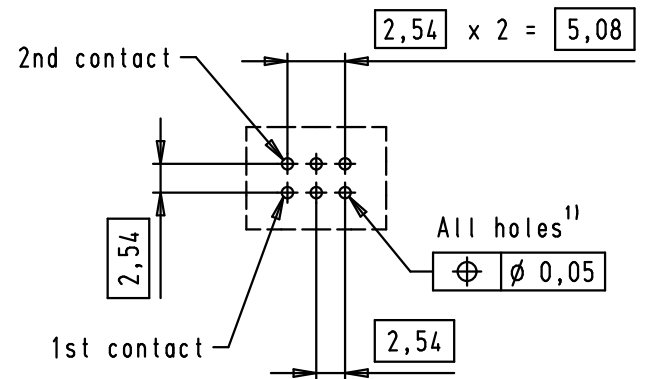
3

2

1



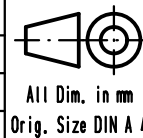
PCB layout, component side



1) Solder pins for PCB connections  
 $\phi 1 \pm 0,1$  according to IEC 60326-3

09 18 506 7322	PL3	4,5
09 18 506 6322	PL2	4,5
09 18 506 5322	0,76 $\mu\text{m}$ Au	4,5
09 18 506 7324	PL3	2,9
09 18 506 6324	PL2	2,9
09 18 506 5324	0,76 $\mu\text{m}$ Au	2,9
Part number	Performance level	a

			Dot.	Name
			Detail.	01/02/00 JB
EC00811	11/09/09	PK	Insp.	
29778	25/04/02	CV	Stand.	
27931	15/06/00	JB		
26570	01/02/00	JB		
Mod.	Dot.	Name	HARTING EURL F-95972 Paris	



All Dim. in mm  
 Orig. Size DIN A 4

SEK 18 Connector  
 Male, low profile,  
 6 poles, straight pins

Maßstab/  
 Scale

1,5:1

TB 09 18 506 X32X

Blatt/ Page

1 / 2

Sub.