

ADSL MAGNETICS

For Use in ADSL POTS Low Pass Filters



- Transformers and Inductors for use with Alcatel's Dynamite ADSL chipset
- For Central Office and Customer Premise Applications

Electrical Specifications @ 25°C — Operating Temperature -40°C to 85°C

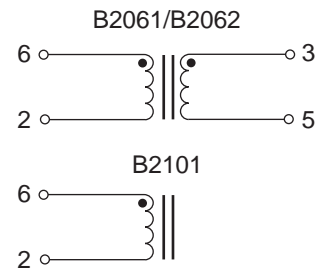
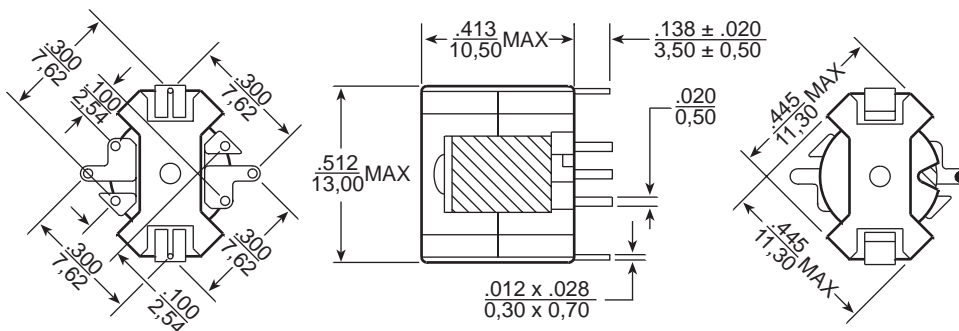
Part Number	Alcatel Part No.	Inductance (μH)	Turns Ratio (±2%)	DCR (Ω MAX)	Hi-Pot (Vac)	Application
B2061	1AB 01965 0027	(6-2) 282.5 ±5%	1:1 ±2%	(6-2)=(3-5) 1.00	500	Coupled Inductor - CPE ³
B2062	1AB 01965 0026	(6-2) 238.5 ±5%	1:1 ±2%	(6-2)=(3-5) 0.76	500	Coupled Inductor - CPE
B2090	1AB 01897 0017	(3-7) 7680 MIN	(2-6)/(3-7)=1.65	(1-6)=(2-1) 1.00	500	Hybrid Transformer - CPE
			(3-7)/(4-8)=2.00	(3-7) 1.80		
			(2-1)/(1-6)=1.00	(4-8) 0.75		
B2091	1AB 01897 0018	(3-7) 844 MIN	(2-6)/(3-7)=1.125	(1-6)=(2-1) 0.20	500	Hybrid Transformer - CO ⁴
			(3-7)/(4-8)=2.00	(3-7) 0.19		
			(1-6)/(3-7)=1.125	(4-8) 0.11		
B2098	1AB 02126 0130	(2-12) 441.5 ±5%	(2-12)/(8-6)=1.00	(2-11)=(1-12) 0.58	2000	Transformer - CPE
			(2-11)/(1-12)=1.00	(8-5)=(7-6) 0.50		
			(8-5)/(7-6)=1.00	—		
B2099	1AB 02363 0016 ¹	(1-3) 500.5 ±5%	(4-6)/(1-3)=1.00	(4-6)=(1-3) 2.10	500	Coupled Inductor - CO/CPE
B2100	1AB 02363 0017 ²	(1-3) 91.0 ±10%	(4-6)/(1-3)=1.00	(4-6)=(1-3) 0.85	500	Coupled Inductor - CO
B2101	1AB 06932 0017	(2-6) 96.0 ±5%	—	(2-6) 0.42	500	Inductor - CO
B2102	1AB 02126 0113	(2-12) 409.5 ±5%	(2-12)/(8-6)=2.00	(2-11)=(1-12) 0.32	2000	Transformer - CO
			(2-11)/(1-12)=1.00	(8-5)=(7-6) 0.19		
			(8-5)/(7-6)=1.00	—		

¹ Formerly Alcatel part number 1AB 07111 0008 ² Formerly Alcatel part number 1AB 07111 0007 ³ CPE - Customer Premise Equipment ⁴ CO - Central Office

Mechanical

Schematic

B2061/B2062/B2101



Weight 2.5 grams
Tray75/tray

Dimensions: $\frac{\text{Inches}}{\text{mm}}$

Unless otherwise specified, all tolerances are $\pm \frac{.010}{.025}$

ADSL MAGNETICS

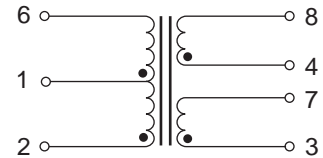
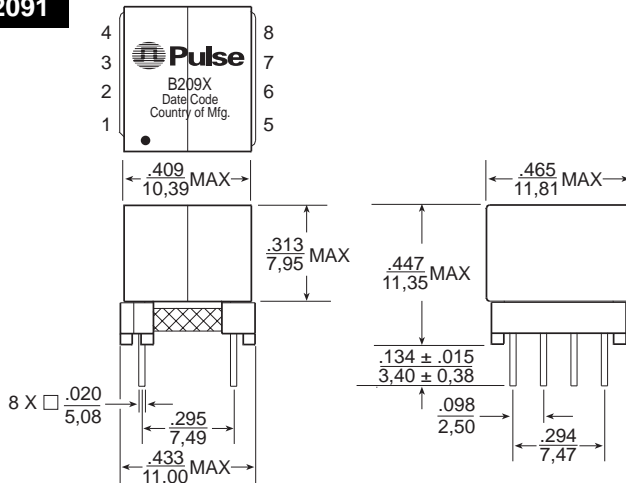
For Use in ADSL POTS Low Pass Filters



Mechanicals

Schematics

B2090/B2091

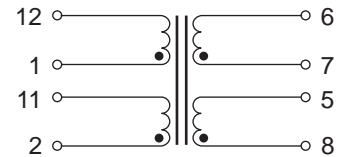
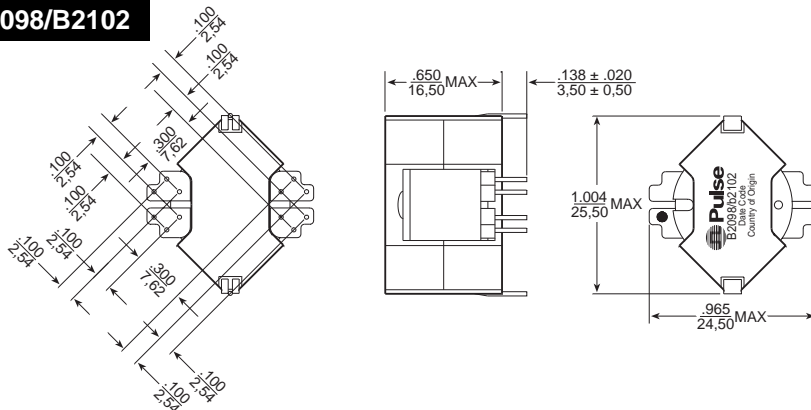


Weight3.6 grams
Tray75/tray

Dimensions: $\frac{\text{Inches}}{\text{mm}}$

Unless otherwise specified, all tolerances are $\pm \frac{.010}{0.25}$

B2098/B2102

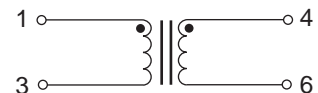
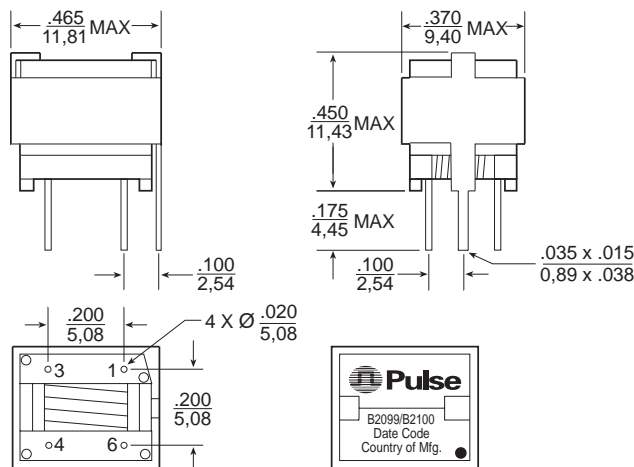


Weight14.4 grams
Tray56/tray

Dimensions: $\frac{\text{Inches}}{\text{mm}}$

Unless otherwise specified, all tolerances are $\pm \frac{.010}{0.25}$

B2099/B2100



Weight2.3 grams
Tray80/tray

Dimensions: $\frac{\text{Inches}}{\text{mm}}$

Unless otherwise specified, all tolerances are $\pm \frac{.010}{0.25}$

For More Information :

UNITED STATES (Worldwide)

12220 World Trade Drive
San Diego, CA 92128
U.S.A.
<http://www.pulseeng.com>
TEL: 858 674 8100
FAX: 858 674 8262

UNITED KINGDOM (Northern Europe)

1 & 2 Huxley Road
The Surrey Research Park
Guildford, Surrey GU2 5RE
United Kingdom
TEL: 44 1483 401700
FAX: 44 1483 401701

FRANCE (Southern Europe)

Zone Industrielle
F-39270
Orgelet
France
TEL: 33 3 84 35 04 04
FAX: 33 3 84 25 46 41

SINGAPORE (Southern Asia)

150 Kampong Ampat
#07-01/02
KA Centre
Singapore 368324
TEL: 65 6287 8998
FAX: 65 6280 0080

TAIWAN, R.O.C. (Northern Asia)

3F-4, No. 81, Sec. 1
HsinTai Wu Road
Hsi-Chih, Taipei Hsien
Taiwan, R.O.C.
Tel: 886 2 2698 0228
FAX: 886 2 2698 0948

HONG KONG (China/Hong Kong)

9/F, Phase 2, Tai Sang
Shatin Warehouse Centre
6 Wong Chuk Yeung Street
Fotan, Shatin, Hong Kong
TEL: 852 2788 6588
FAX: 852 2776 1055

DISTRIBUTOR

Performance warranty of products offered on this data sheet is limited to the parameters specified. Data is subject to change without notice. Other brand and product names mentioned herein may be products and/or registered trademarks of their respective owners.