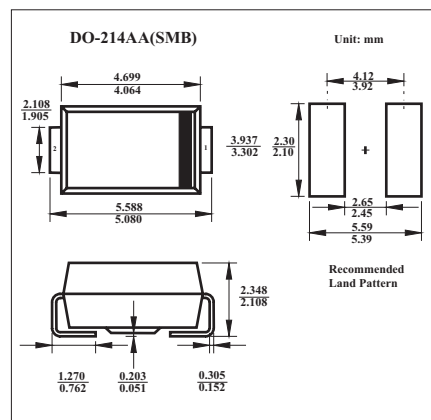




B240

■ **Features**

- The plastic package carries Underwriters Laboratory Flammability Classification 94V-0
- For surface mounted applications
- Metal silicon junction, majority carrier conduction
- Low power loss, high efficiency
- Built-in strain relief, ideal for automated placement
- High forward surge current capability



■ **Absolute Maximum Ratings And Electrical Characteristics Ta = 25°C**

Parameter	Symbol	Rating	Unit
Maximum repetitive peak reverse voltage	VRRM	40	V
Maximum RMS voltage	VRMS	28	V
Maximum DC blocking voltage	VDC	40	V
Maximum average forward rectified current at TL	I(AV)	2	A
Peak forward surge current 8.3ms single half sine-wave superimposed on rated load(JEDEC Method)	IFSM	50	A
Maximum instantaneous forward voltage at 2.0A	VF	0.55	V
Maximum Dcreverse current TA=25°C	IR	0.5	mA
at rated DC blocking voltage TA=100°C		10	
Typical junction capacitance *	CJ	220	PF
Typical thermal resistance *2	RJA	75	°C/W
Operating junction temperature range	TJ	-65 to 125	°C
Storage temperature range	TSTG	-65 to 150	°C

*1 Measured at 1MHz and applied reverse voltage of 4.0V D.C

*2 P.C.B mounted with 0.2X0.2" (5.0X5.0mm) copper pad areas

■ **Marking**

Marking	SS24
---------	------



■ Typlacl Characteristics

