

ALUMINUM ELECTROLYTIC CAPACITORS

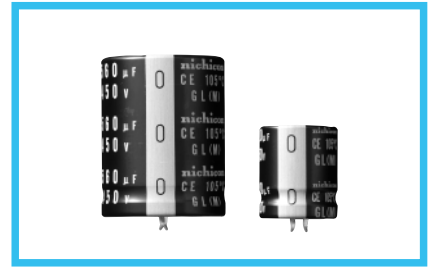
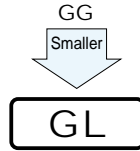


GL series

Snap-in Terminal Type, 105°C Ultra-Smaller-Sized



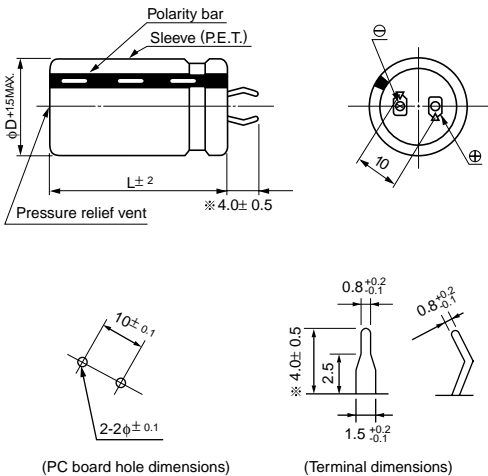
- One rank smaller case sized than GG series.
- Suited for equipment down sizing.
- Compliant to the RoHS directive (2002/95/EC).



Specifications

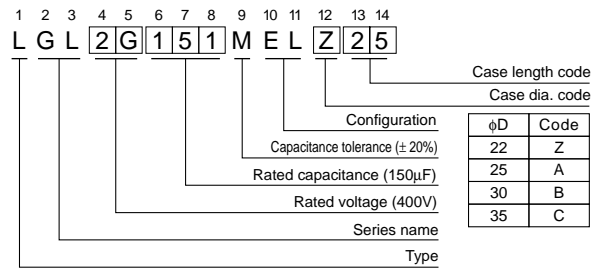
Item	Performance Characteristics	
Category Temperature Range	- 25 to +105°C	
Rated Voltage Range	400 · 450V	
Rated Capacitance Range	120 to 1000μF	
Capacitance Tolerance	±20% at 120Hz, 20°C	
Leakage Current	$I \leq 3\sqrt{CV}$ (μA) (After 5 minutes' application of rated voltage) [C : Rated Capacitance (μF) V : Voltage (V)]	
Tangent of loss angle (tan δ)	Rated voltage (V)	400 450
	tan δ (MAX.)	0.15 0.20
Measurement frequency : 120Hz at 20°C		
Stability at Low Temperature	Rated voltage (V) 400 · 450	
	Impedance ratio ZT/Z20 (MAX.)	Z - 25°C/Z+20°C 8
Measurement frequency : 120Hz		
Endurance	The specifications listed at right shall be met when the capacitors are restored to 20°C after D.C. bias plus rated ripple current is applied for 2000 hours at 105°C, the peak voltage shall not exceed the rated voltage.	Capacitance change Within ±20% of the initial capacitance value
		tan δ 200% or less than the initial specified value
		Leakage current Less than or equal to the initial specified value
Shelf Life	After storing the capacitors under no load at 105°C for 1000 hours and then performing voltage treatment based on JIS C 5101-4 clause 4.1 at 20°C, they shall meet the characteristic requirements listed at right.	Capacitance change Within ±20% of the initial capacitance value
		tan δ 200% or less than the initial specified value
		Leakage current Less than or equal to the initial specified value
Marking	Printed with white color letter on black sleeve.	

Drawing



※ The other terminal is also available upon request. Please refer page 280 for schematic of dimensions.

Type numbering system (Example : 400V 150μF)



Frequency coefficient of rated ripple current

Frequency (Hz)	50	60	120	300	1 k	10k	50k or more
Coeff.	400 - 450V	0.77	0.82	1.00	1.16	1.30	1.43

Minimum order quantity : 50pcs.

● Dimension table in next page.

■ Dimensions

400V (2G)				
Cap. (μ F)	Size ϕ D \times L(mm)	Rated ripple (mA)	Leakage Current (mA)	Code
150	22 \times 25	730	0.73	LGL2G151MELZ25
220	22 \times 30	780	0.88	LGL2G221MELZ30
	25 \times 25	780	0.88	LGL2G221MELA25
270	22 \times 35	910	0.98	LGL2G271MELZ35
	25 \times 30	910	0.98	LGL2G271MELA30
330	22 \times 45	1070	1.08	LGL2G331MELZ45
	25 \times 35	1070	1.08	LGL2G331MELA35
	30 \times 25	1040	1.08	LGL2G331MELB25
390	22 \times 50	1230	1.18	LGL2G391MELZ50
	25 \times 40	1230	1.18	LGL2G391MELA40
	30 \times 30	1230	1.18	LGL2G391MELB30
	35 \times 25	1180	1.18	LGL2G391MELC25
470	25 \times 45	1500	1.30	LGL2G471MELA45
	30 \times 35	1500	1.30	LGL2G471MELB35
560	30 \times 40	1660	1.41	LGL2G561MELB40
	35 \times 30	1660	1.41	LGL2G561MELC30
680	30 \times 45	1740	1.56	LGL2G681MELB45
	35 \times 35	1740	1.56	LGL2G681MELC35
820	30 \times 50	1920	1.71	LGL2G821MELB50
	35 \times 40	1920	1.71	LGL2G821MELC40
1000	35 \times 50	2200	1.89	LGL2G102MELC50

450V (2W)				
Cap. (μ F)	Size ϕ D \times L(mm)	Rated ripple (mA)	Leakage Current (mA)	Code
120	22 \times 25	690	0.69	LGL2W121MELZ25
150	22 \times 30	740	0.77	LGL2W151MELZ30
	25 \times 25	740	0.77	LGL2W151MELA25
180	22 \times 35	770	0.85	LGL2W181MELZ35
	25 \times 30	770	0.85	LGL2W181MELA30
220	22 \times 40	850	0.94	LGL2W221MELZ40
	25 \times 35	850	0.94	LGL2W221MELA35
	30 \times 25	820	0.94	LGL2W221MELB25
270	22 \times 45	930	1.04	LGL2W271MELZ45
	25 \times 40	930	1.04	LGL2W271MELA40
	30 \times 30	930	1.04	LGL2W271MELB30
330	25 \times 45	1120	1.15	LGL2W331MELA45
	30 \times 35	1120	1.15	LGL2W331MELB35
	35 \times 25	1070	1.15	LGL2W331MELC25
390	25 \times 50	1280	1.25	LGL2W391MELA50
	30 \times 40	1280	1.25	LGL2W391MELB40
	35 \times 30	1280	1.25	LGL2W391MELC30
470	30 \times 45	1480	1.37	LGL2W471MELB45
	35 \times 35	1480	1.37	LGL2W471MELC35
560	30 \times 50	1660	1.50	LGL2W561MELB50
	35 \times 40	1660	1.50	LGL2W561MELC40
680	35 \times 45	1770	1.65	LGL2W681MELC45
820	35 \times 50	1930	1.82	LGL2W821MELC50

Rated ripple current (mA_{rms}) at 105°C 120Hz