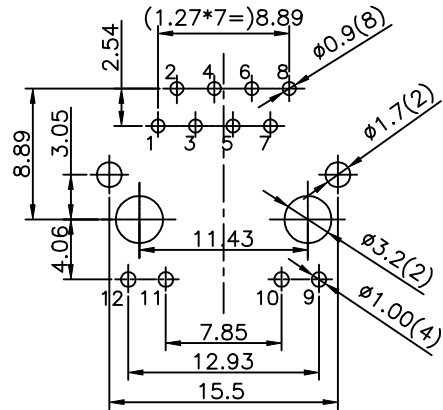
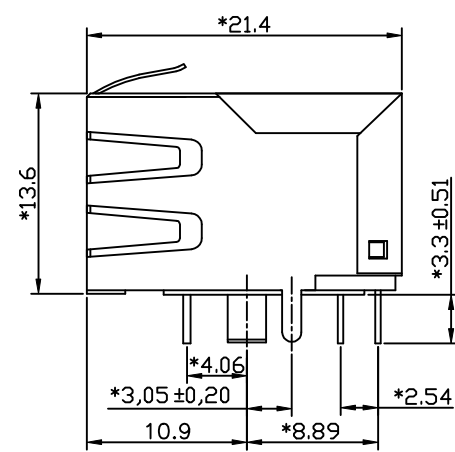
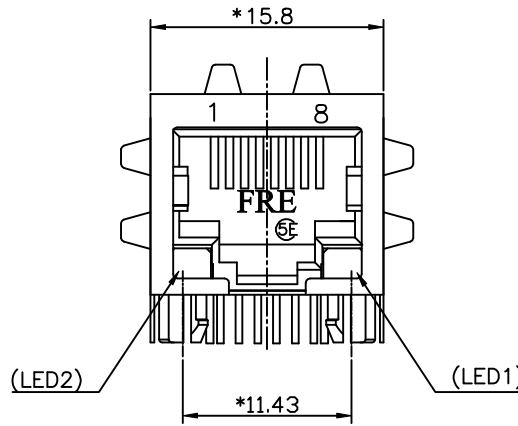


REVISION RECORD				
REV	ECO	DESCRIPTION	DRFT	CHKD



PC Board Thickness=1.60mm  
PC Board Layout Component Side Shown

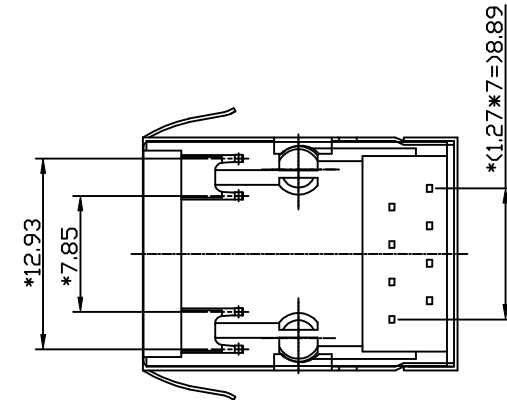
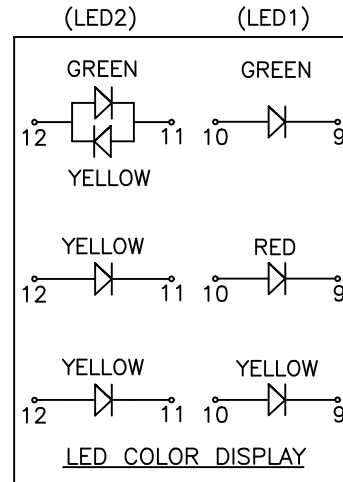


NOTES:

ELECTRICAL:

- VOLTAGE RATING : 125 VAC RMS.
- CURRENT RATING : 1.5AMP.
- CONTACT RESISTANCE : 40 MILLIOHMS MAX.
- INSULATION RESISTANCE: 1000 MEGOHMS MIN @ 500 VDC.
- DIELECTRIC STRENGTH : 1000 VAC RMS 60Hz, 1MIN.
- CATEGORY 5E CHARACTERISTIC:

Frequency	Near-End Cross Talk dB, MIN.	Return Loss dB, MIN.	Attenuation dB, MAX.
1.0 MHZ	65.0	35.5	0.1
4.0 MHZ	65.0	35.5	0.1
8.0 MHZ	64.9	35.5	0.1
10.0 MHZ	63.0	35.5	0.1
16.0 MHZ	58.9	35.5	0.2
20.0 MHZ	57.0	34.0	0.2
25.0 MHZ	55.0	32.0	0.2
31.25 MHZ	53.1	30.1	0.2
62.5 MHZ	47.1	24.0	0.3
100.0 MHZ	43.0	20.0	0.4



MECHANICAL:

- HOUSING MATERIAL : PBT+30% BK UL94V-0.
- CONTACT MATERIAL : PHOSPHOR BRONZE t=0.35mm.
- PLATING : GOLD PLATING OVER NICKEL.
- OPERATING LIFE : 750 CYCLES MIN.
- PCB RETENTION PRE-SOLDER : 1 LB MIN.
- PCB RETENTION POST-SOLDER: 10 LBS MIN.

ENVIRONMENTAL:

- STORAGE : -40°C TO +85°C.
- OPERATION: 0°C TO +70°C.
- WAVE SOLDERING TEMPERATURE: 230°C~250°C (5~10 SECONDS)

MATES WITH MODULAR PLUG CONFORMING TO

FCC PART 68, SUBPART F.

CUL FILE NO. E163191

ROHS P/N: E6588-WAQX4X-L

B-LED1:GREEN LED2:GREEN/YELLOW 1- 3u" 2- 6u" 3-15u"  
M-LED1:RED LED2:YELLOW 4- 30u" 5- 50u"  
N-LED1:YELLOW LED2:YELLOW

<p>← MM (INCH) →</p> <p>TOLERANCES EXCEPT AS NOTED</p>		<p>DFTO Yican DATE 11/10/05'</p> <p>CHKD JAMY DATE 2005/11/10</p> <p>MFO DATE</p> <p>APPV LUSHENG DATE 2005/11/10</p>	<p>FULL RISE ELECTRONIC CO., LTD</p>	
<p>DETACHED LISTS</p> <p>MM ±</p> <p>.0 ±0.20</p> <p>.00 ±0.15</p> <p>.000 ±0.075</p> <p>ANGLES ± 0.5</p> <p>THIRD ANGLE PROJECTION</p>	<p>QT'Y :</p> <p>FINISH :</p> <p>SCALE :</p>	<p>TITLE</p> <p>CAT.5E W/LED JACK</p>	<p>DRAWING NO. GE653040-LC</p> <p>/PART NO. SEE NOTE</p>	<p>SIZE REV</p> <p>A3 0</p>
<p>DO NOT SCALE DRAWING</p>			<p>SHEET 1 OF 1</p>	