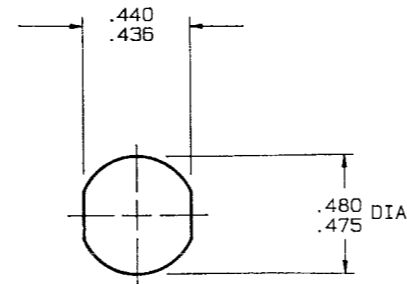


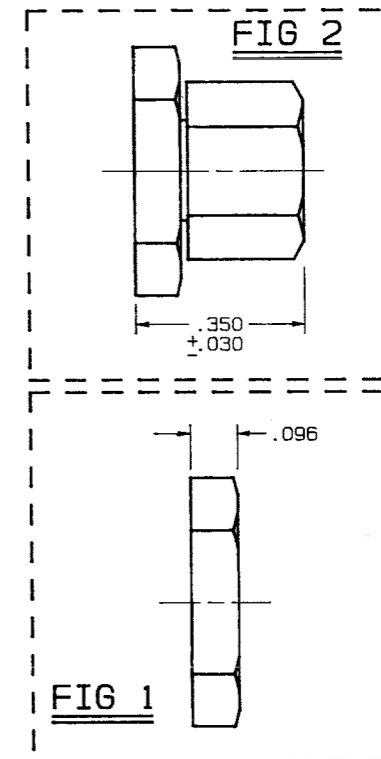
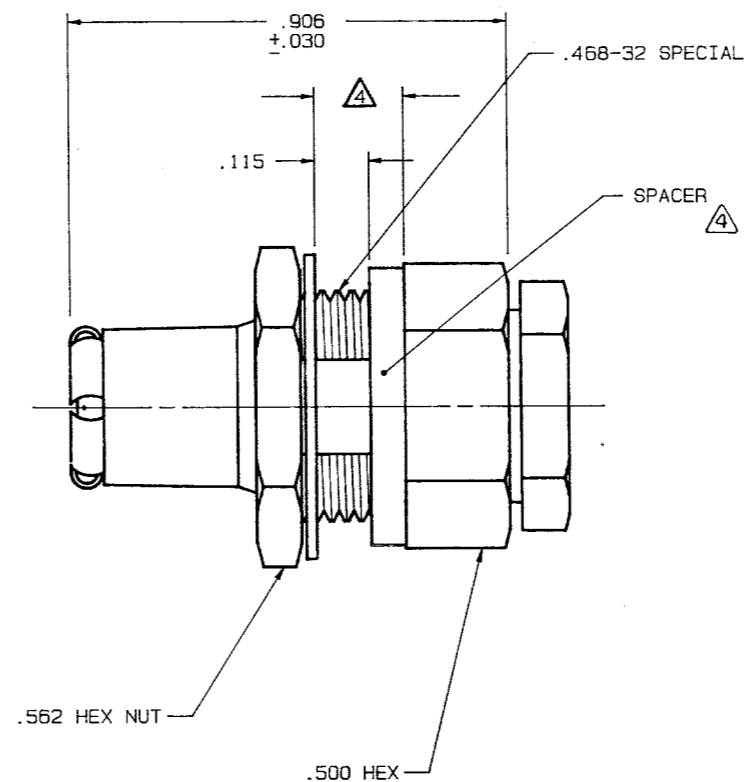
DISK # DATA CONTAINED IN THIS DOCUMENT IS PROPRIETARY TO TROMPETER ELECTRONICS INC. AND SHALL NOT BE DISCLOSED, COPIED OR USED FOR PROCUREMENT OR MANUFACTURE WITHOUT EXPRESS WRITTEN PERMISSION.

REVISIONS			1-0431		SH 1
REV	EO	DESCRIPTION	DWN	APPROVED	DATE
J	8594	ADDED -63 CABLE GROUP; DWG NO WAS 1000-0431 & REDRAWN	DJK	<i>OK: BM: F</i>	11-3-89

DASH NO	FIG	CABLES ACCOMMODATED	ASSEMBLE PER
-1	1	RG-58	TAI-101
-U1		ESSEX 621-715	
-2		RG-59	
-U2			
-2A		BELDEN 8279	
-U2A			
-2B		W.E.CO. 730A	
-U2B			
-3		RG-223	
-U3			
-3A		RG-55	
-U3A			
-4		RG-122	
-U4		BELDEN 8218	
-5		RG-174	
-U5		RG-187	
-5A		RG-196	
-U5A			
-5B		HEWLETT-PACKARD 8120-1107	
-U5B			
-21		RG-303	
-U21			
-22	RG-180		
-U22			
-34	BELDEN 8228		
-U34			
-36	MICRODOT 275-3991		
-U36	AMPEX 616-569		
-41	RG-304		
-U41	BELDEN 9248		
-44	BRAND-REX B749		
-U44	GORE C06C032		
-63	734A, AT&T		
-U63			
-086	2	RG-405	TAI-130
-U086			
-141		RG-402	
-U141			



RECOMMENDED  
PANEL CUTOUT  
SCALE: 2/1



INCH	MM
.005	0.13
.030	0.76
.096	2.44
.115	2.92
.187	4.75
.350	8.89
.436	11.07
.440	11.18
.475	12.07
.480	12.19
.500	12.70
.562	14.27
.906	23.01

-1 SHOWN

RED INDICATES ORIGINAL

- MALE COAXIAL PUSH-ON TYPE BULKHEAD CABLE PLUG BOTH 50 & 75 OHM VERSIONS (BNC STYLE)
- DASH NO DENOTES CABLE GROUP EXCEPT "U" PREFIX DENOTES 75 OHM VERSION
- MAX PANEL THK .187 (REMOVE SPACER)

- FINISH: TFS-1A (NICKEL)
- ALL DIM ARE IN INCHES
- EXAMPLE OF COMPLETE PART NO:  
1-0431 -086  
DASH NO (CABLE GROUP)

QTY	DESCRIPTION	PART NUMBER	ITEM
TOL UNLESS SPECIFIED .XX ± .XXX ± .005 .XXXX ± ANGLES ±	<b>TROMPETER ELECTRONICS, INC.</b>	PL122/UPL122	
DWN DJK 8/7/89	MATERIAL	CODE IDENT	DRAWING NO.
CHK DJK 10/27/89		14949	1-0431
ENGR DJK 10/31/89			J
NEXT ASSY	APPR DJK 11-3-89	SCALE 4/1	DATE 8/14/74 SHEET 1 OF 2