

80 mm sq.

San Ace 80

15mm thick (GA type), 15mm thick, 20mm thick (GA type)
 20mm thick, 25mm thick (GA type), 25mm thick (S type)
 25mm thick (GV type), 25mm thick
 25mm thick (San Cooler), 32mm thick (GA type)
32mm thick, 38mm thick (HV type), 38mm thick (GA type)
 38mm thick (GV type), 38mm thick (G type)



General Specifications

- Material Frame: Plastics (Flammability: UL94V-0),
Impeller: Plastics (Flammability: UL94V-1)
- Expected Life Refer to specifications (L10:Survival rate:90% at 60°C ,
rated voltage, and continuously run in a free air state)
- Lead Wire ⊕red ⊖black or blue (Sensor) yellow
- Storage Temperature -30°C to +70°C (Non-condensing)

80×80×32mm (Mass : 150g)

Specifications

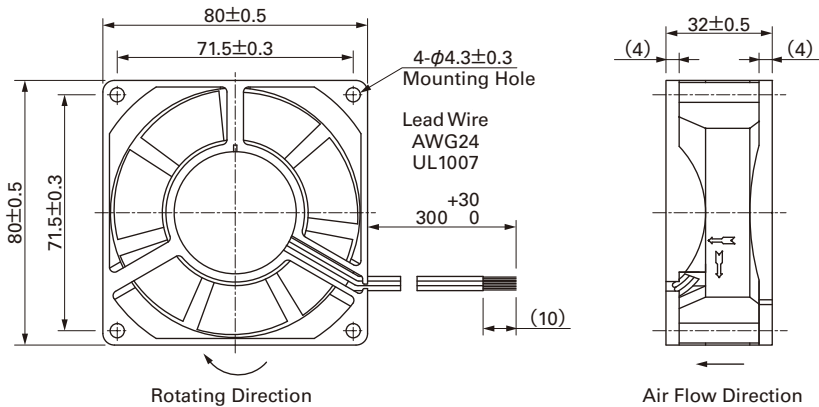
The following nos. **have pulse sensors and ribs**. For ribless, append "1" to the model no.

Model No.	Rated Voltage [V]	Operating Voltage Range [V]	Rated Current [A]	Rated Input [W]	Rated Speed [min ⁻¹]	Max. Air Flow [m ³ /min] [CFM]	Max. Static Pressure [Pa] [inchH ₂ O]	SPL [dB(A)]	Operating Temperature [°C]	Expected Life [h]		
109P0812A201	12	6 to 13.2	0.56	6.72	4,600	1.52	53.7	91.1	0.366	45	-20 to +55	40,000(+55°C)
0.16			1.92	3,150	1.05	37.1	43.1	0.173	33	-20 to +70	40,000	
109P0812M201		10.2 to 13.8	0.07	0.84	2,000	0.65	23.0	18.6	0.075	21	-20 to +70	60,000
109P0824A201	24	12 to 26.4	0.29	6.96	4,600	1.52	53.7	91.1	0.366	45	-20 to +60	40,000
0.09			2.16	3,150	1.05	37.1	43.1	0.173	33	-20 to +70	40,000	
109P0824M201		20.4 to 27.6	0.04	0.96	2,000	0.65	23.0	18.6	0.075	21	-20 to +70	60,000
109P0848H201	48	43 to 53	0.06	2.88	3,350	1.10	38.9	50.9	0.204	35	-20 to +70	40,000

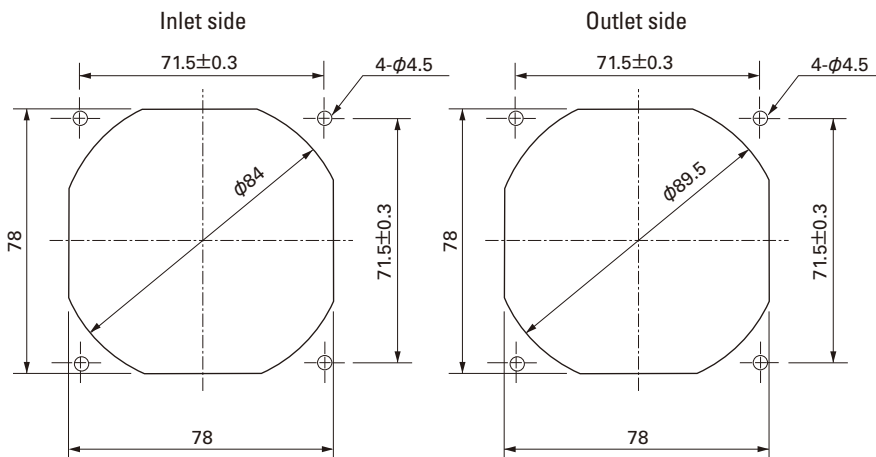
Available options: ⇒ **Without Sensor**

Please inquire as the availability of these functions depend on the model. ⇒ **Lock Sensor** **Low speed Sensor**

Dimensions (Unit : mm) (With ribs)



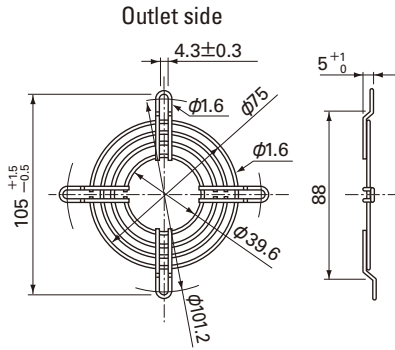
Reference dimension of mounting holes and vent opening (Unit : mm)



Options (Unit : mm)

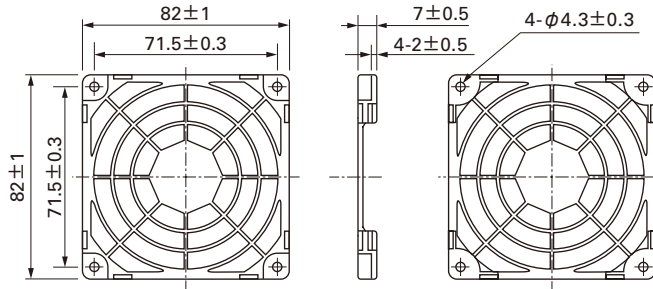
Finger guards

Model : 109-049C Color
Surface treatment : Nickel-chrome plating (silver)



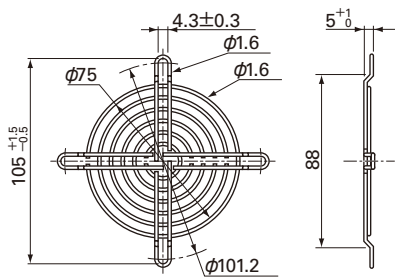
Resin finger guards

Model : 109-1002G



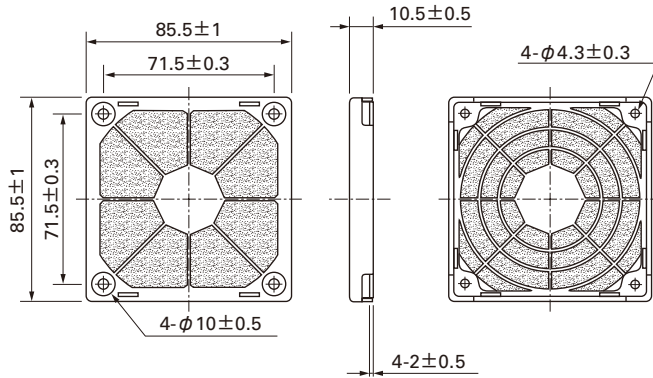
Model : 109-049E Color
Surface treatment : Nickel-chrome plating (silver)
: 109-049H : Cation electropainting (black)

Inlet side, Outlet side

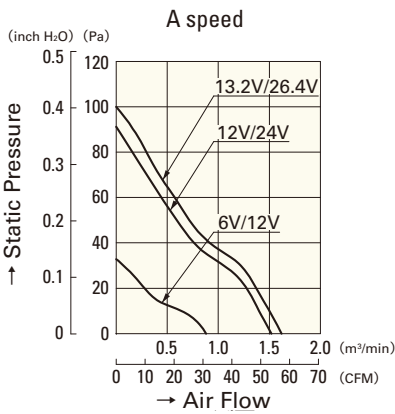


Resin filter kits

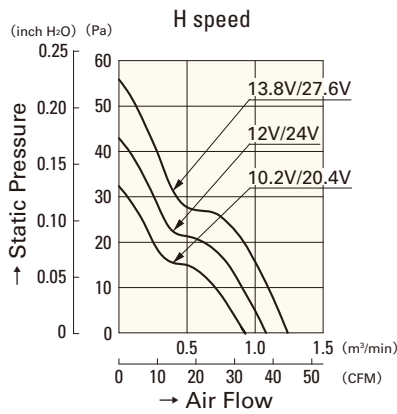
Model : 109-1002F13 (13PPI), 109-1002F20 (20PPI)
: 109-1002F30 (30PPI), 109-1002F40 (40PPI)



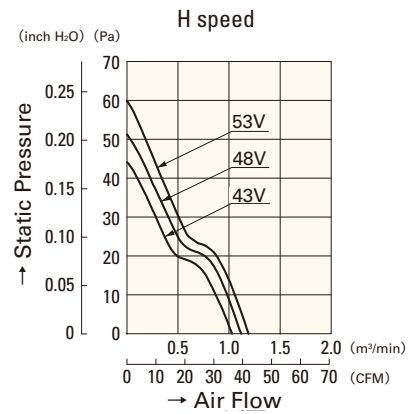
Air Flow - Static Pressure Characteristics



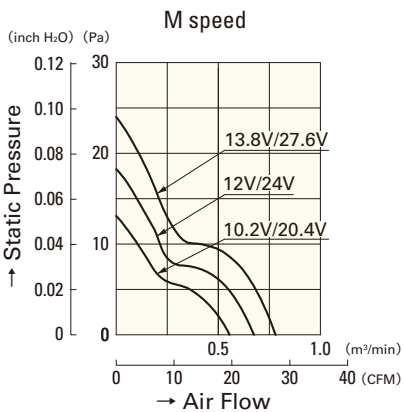
109P0812A201
109P0824A201



109P0812H201
109P0824H201



109P0848H201



109P0812M201
109P0824M201