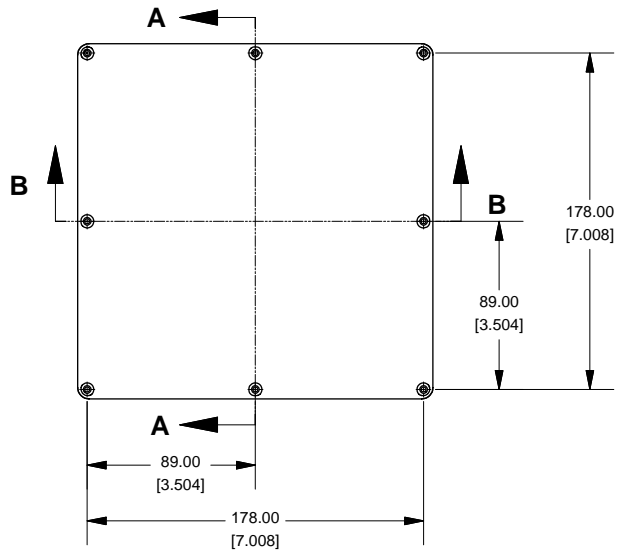
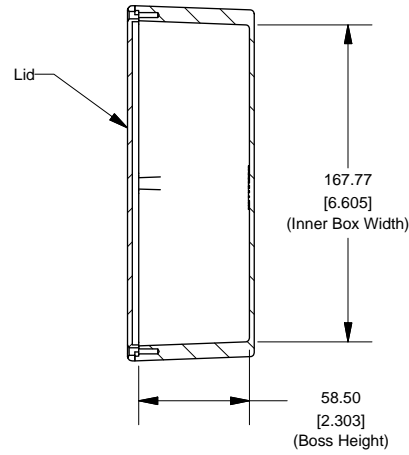


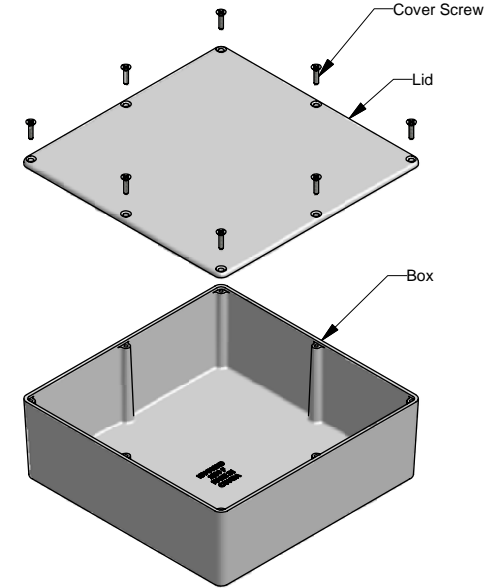
Top View of Assembly



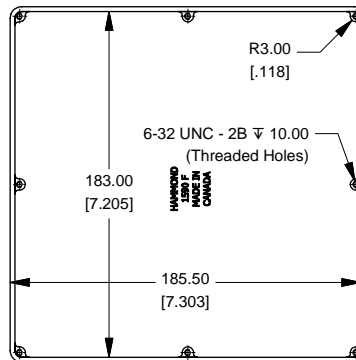
SECTION A-A End View of Assembly



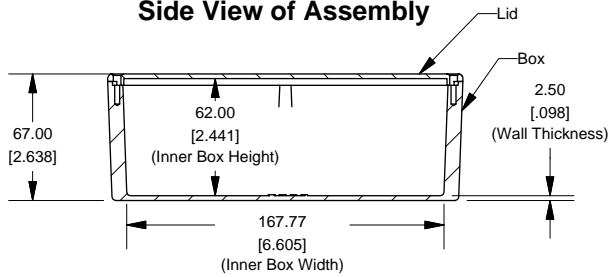
Series 1590F (Basic)



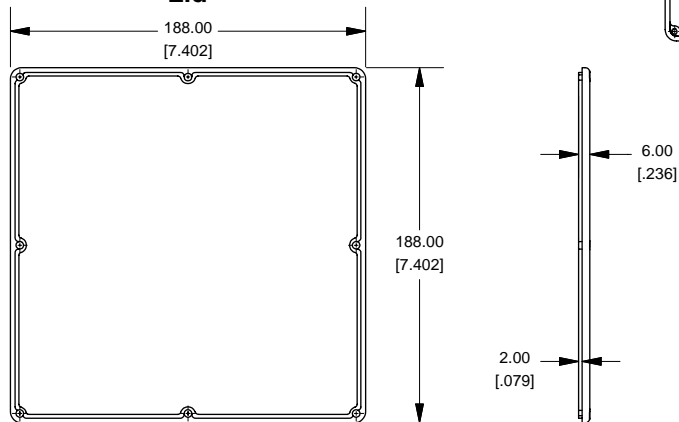
Top View Looking Inside Box



SECTION B-B Side View of Assembly



Lid



NOTE
Purchased assembly includes box, lid and 4 cover screws.
Box and lid are made from Diecast Aluminum Alloy (alloy type 360.1).

PART NUMBERS	
1590F Enclosure	
Unfinished	1590F
Black Textured Powder Paint	1590FBK
1590F Liquid Resistant Enclosure (Silicon Factory Installed Gasket)	
Unfinished	1590WF
Black Textured Powder Paint	1590WFBK
ACCESSORIES	
Unfinished	
Cover Screws (Pkg 100) [6-32 x 1/2" Nickel Plated Screws]	1590MS100
Black Textured Powder Paint	
Cover Screws (Pkg 50) [6-32 x 1/2" Stainless Steel Black Screws]	1590MS50BK

