

SPECIFICATIONS

Mechanical

Contact Normal Force: 50gf min.
Durability: 300 Cycles
Contact Retention Force: 0.45kg min.

Electrical

Current Rating: 1.0A, 30 Rise above Ambient
Contact Resistance: 60MILLIOHMS MAX.
Dielectric Withstand Voltage: 500V min. at Sea Level
Insulation Resistance: 500 MEGAOHMS MIN. INITIAL, 300 MEGAOHMS AFTER HUMIDITY TEST.

Physical

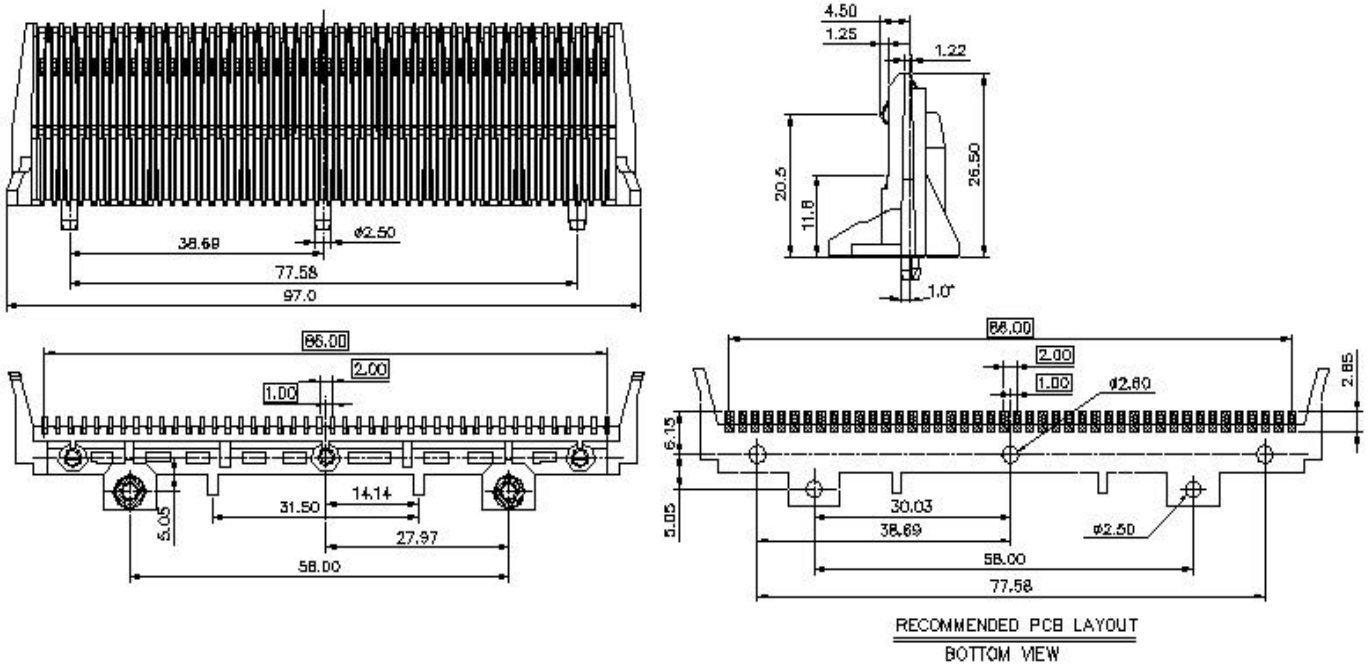
Housing: Thermoplastic, UL 94V-0 rated in Black Color
Contact: Copper alloy
Plating: See "ORDERING INFORMATION"
Operating Temperature : -25 to +85

Docking Connector

EI Series
SMT Type,
2.0mm [.079"] Pitch
44 PIN.



DRAWING



ORDERING INFORMATION

