

SPECIFICATIONS

PCI Connector

Mechanical

Contact Normal Force: 75g min.
 Durability: 100 Cycles
 Contact Retention Force: 0.45kg min.

EH Series

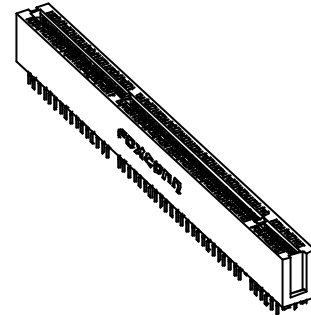
Vertical, T/H Type, 64 Bit 3.3V
 1.27mm [.050"] Pitch
 184 Pos.

Electrical

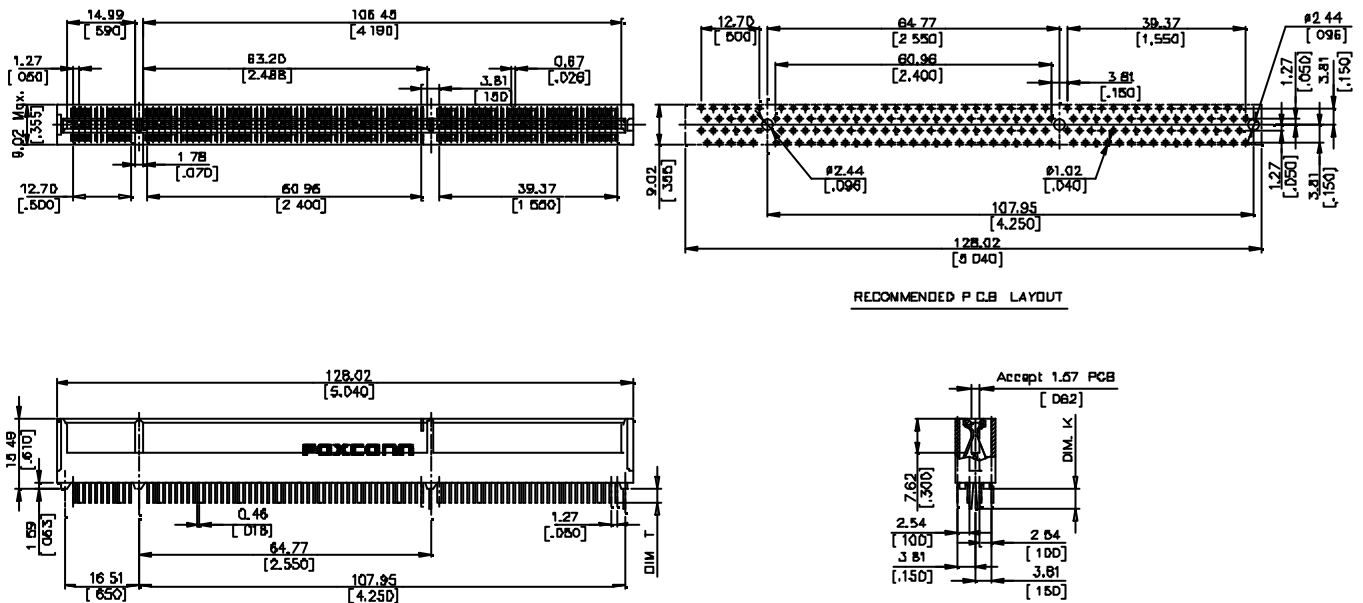
Current Rating: 1.0A, 30 Rise above Ambient
 Contact Resistance: 30mW max. initial, 40mW max. after Test
 Dielectric Withstand Voltage: 500V min. at Sea Level
 Pin to Pin Insulation Resistance: 1000MW min.

Physical

Housing: Thermoplastic, UL 94V-0 rated in White Color
 Contact: Copper alloy
 Plating: See "ORDERING INFORMATION"
 Storage Temperature Range: -40 to +105



DRAWING



ORDERING INFORMATION

PRODUCT NO.: E H 0 9 2 * * - D P W - **

Series prefix
 Cardedge Conn.

Tail Type

0=Straight

No. of Pos.

92=184 Pos.

Tail Length

0=3.18 [.125]

1=2.54 [.100]

4=3.56 [.140]

Plating Type

DN=Ti/Lead

DF=Lead Free

Extension Code

Gold Plating

1=Gold Flash

3=30u" Gold

7=15u" Gold

EH0924*-DPW-**-	3.56 [.140]	4.72 [.186]
EH0921*-DPW-**-	2.54 [.100]	4.52 [.178]
EH0920*-DPW-**-	3.18 [.125]	4.52 [.178]
P/N	DIM. T	DIM. K