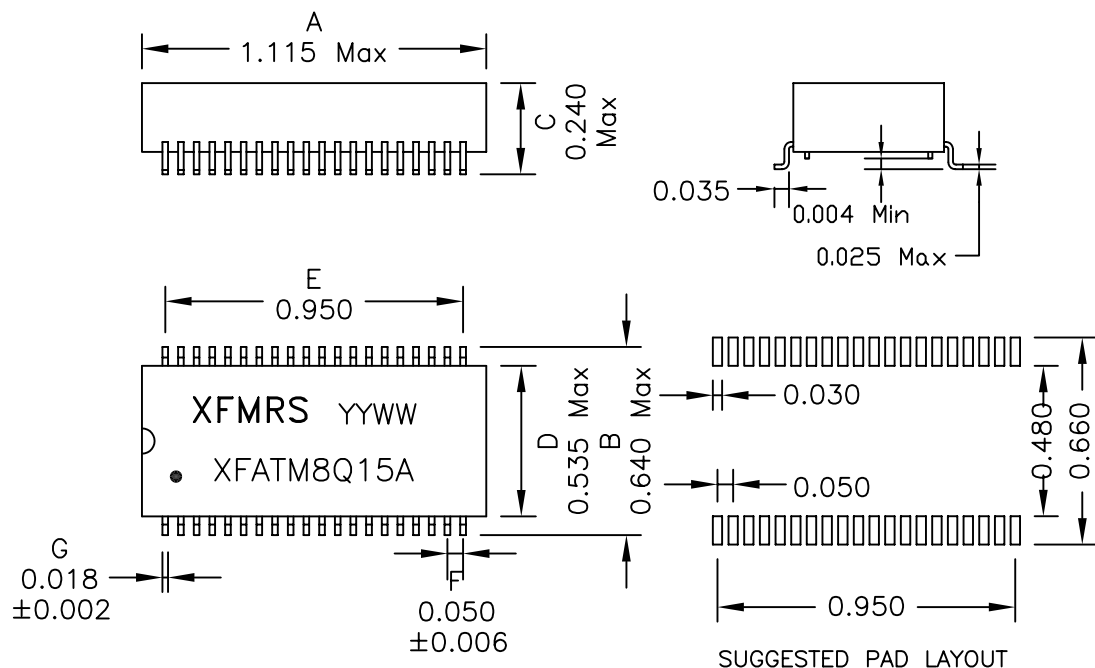
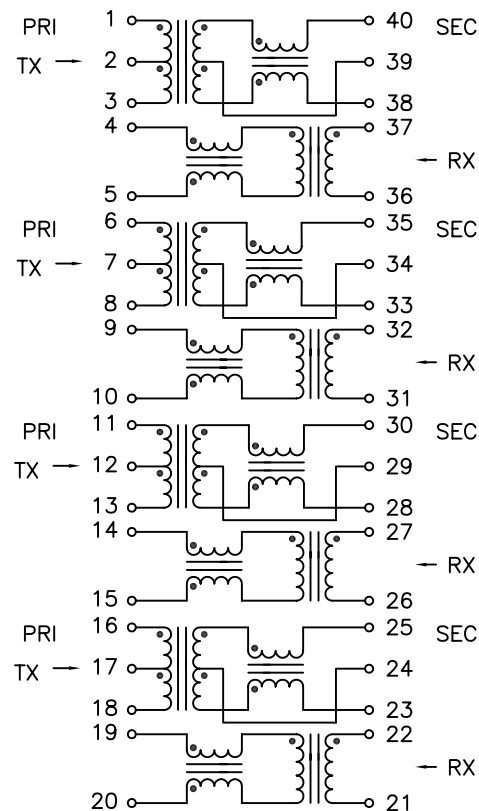


1. Mechanical Dimensions:



2. Schematic:



3. Electrical Specifications: @25°C

Turns Ratio: PRI/SEC TX 2CT:1CT RX 1:1
 Isolation Voltage: 1500 Vrms (Input to Output)
 SEC DC Resistance: 0.90 ohms Maximum
 Pri OCL: 350uH Minimum @100KHz, 100mV 8mADC
 Pri Q: 15 Minimum @10KHz, 50mV
 Sec Leakage L: 0.5uH Maximum @100KHz 100mV short pri
 PRI/SEC Cw/w: 20pF Typical @100KHz 100mV
 Rise time: 2.5ns Typical
 RETURN LOSS: -20dB Minimum @30MHz
 -12dB Typical @80MHz
 CROSSTALK: -38dB Minimum @100KHz-100MHz
 CMRR: -37dB Typical @100KHz-100MHz

Notes:

1. Solderability: Leads shall meet MIL-STD-202G, Method 208H for solderability.
2. Flammability: UL94V-0
3. ASTM oxygen index: > 28%
4. Insulation System: Class F 155°C. UL file E151556
5. Operating Temperature Range: All listed parameters are to be within tolerance from -40°C to +85°C
6. Storage Temperature Range: -55°C to +125°C
7. Aqueous wash compatible
8. SMD Lead Coplanarity: ±0.004"(0.102mm)
9. Electrical and mechanical specifications 100% tested
10. RoHS Compliant Component

XFMRS Inc www.XFMRS.com		Title: Quad Port 10/100BASE-TX Module	
UNLESS OTHERWISE SPECIFIED TOLERANCES: .xxx ±0.010 Dimensions in INCH		P/N: XFATM8Q15A	REV. C
	DWN.	Mei Chen	Jun-03-10
	CHK.	YK Liao	Jun-03-10
SHT 1 OF 1	APP.	BW	Jun-03-10

DOC. REV. C/10

PROPRIETARY

Document is the property of XFMRS Group & is not allowed to be duplicated without authorization.