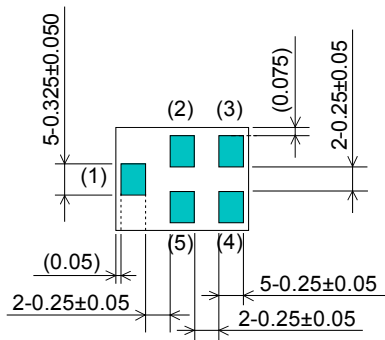
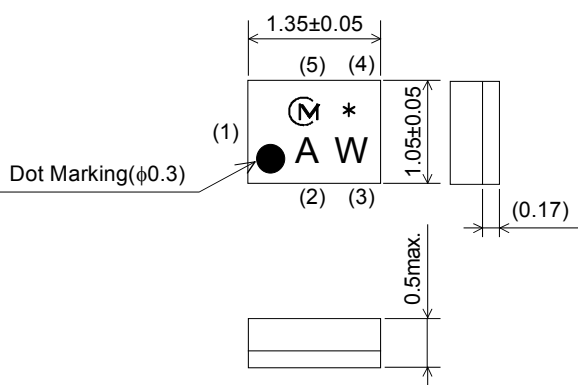


SAW FILTER FOR GSM850 (Rx)

Murata part number : SAFEA881MFL0F00

Package Dimensions



Marking
: Laser Printing

(1) : Unbalance Port
(3)(4) : Balance Port
Others : Ground

Unit : mm

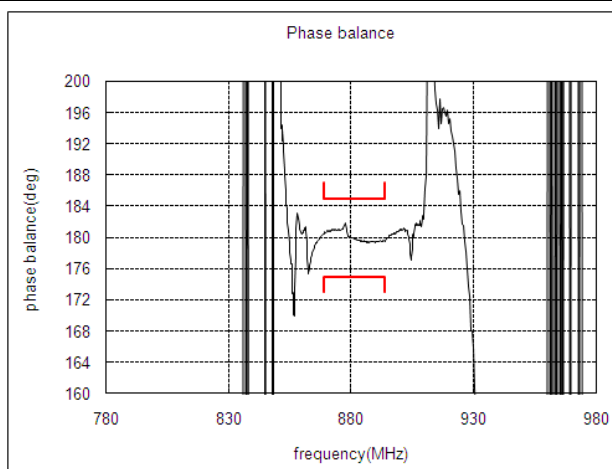
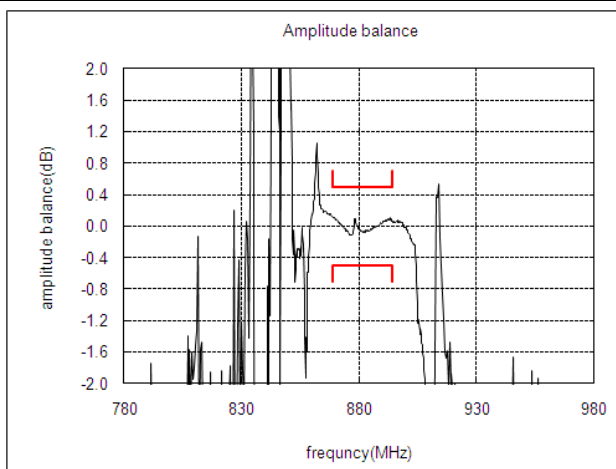
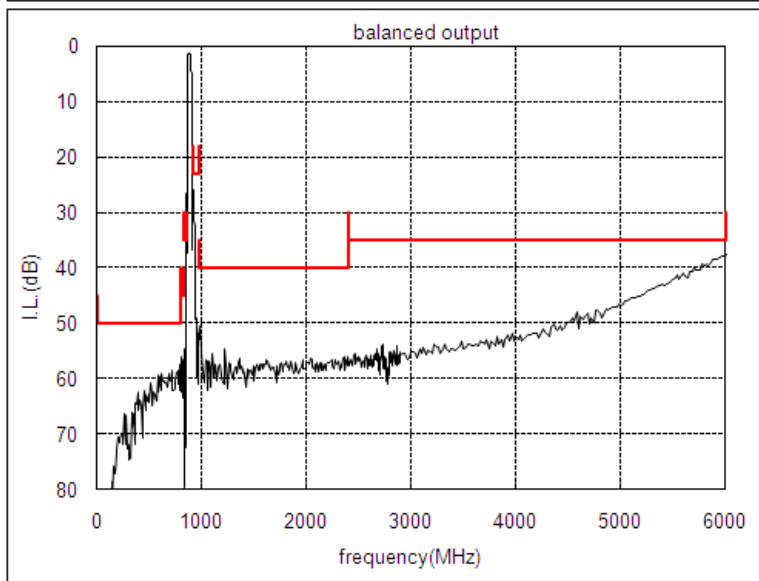
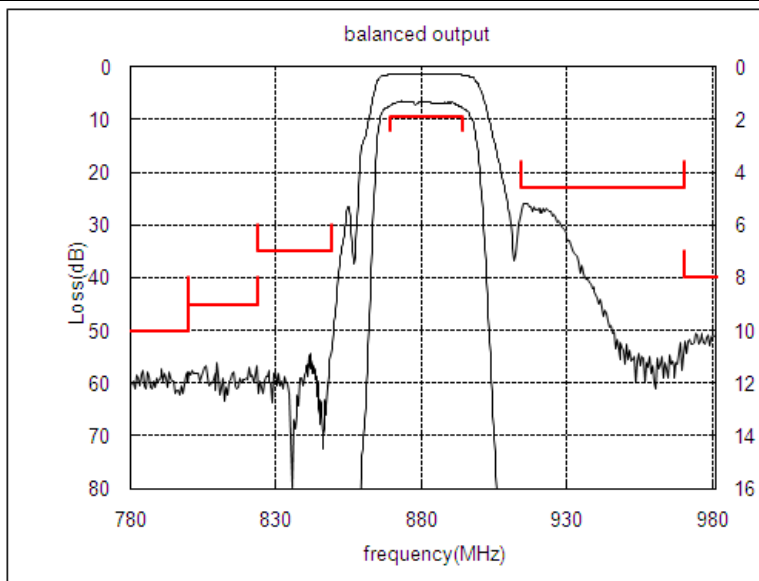
Specification

Item	Specification		
	-30 to 85°C	25±2°C	typ.
Nominal Center Frequency(fc)	881.5MHz		
Insertion Loss (869 to 894MHz)	1.9dB max.	1.7dB max.	1.5 dB
Absolute Attenuation			
1) 0.1 to 800 MHz	50 dB min.	50 dB min.	56 dB
2) 800 to 824 MHz	45 dB min.	45 dB min.	55 dB
3) 824 to 849 MHz	35 dB min.	38 dB min.	55 dB
4) 914 to 970 MHz	23 dB min.	24 dB min.	27 dB
5) 970 to 2400 MHz	40 dB min.	40 dB min.	52 dB
6) 2400 to 6000 MHz	35 dB min.	35 dB min.	42 dB
Ripple Deviation (869 to 894MHz)	1.0dB max.	0.6dB max.	0.3 dB
VSWR (869 to 894MHz)	1.7 max.	1.6 max.	1.4
Amplitude Balance (869 to 894MHz)	±0.5dB max.	±0.5dB max.	±0.2dB
Phase Balance (869 to 894MHz)	180±5deg. max.	180±5deg. max.	180+0.8deg.
Unbalance Port Matching Impedance (nominal)	50Ω		
Balance Port Matching Impedance (nominal)	150Ω//82nH		

SAW FILTER FOR GSM850 (Rx)

Murata part number : SAFEA881MFL0F00

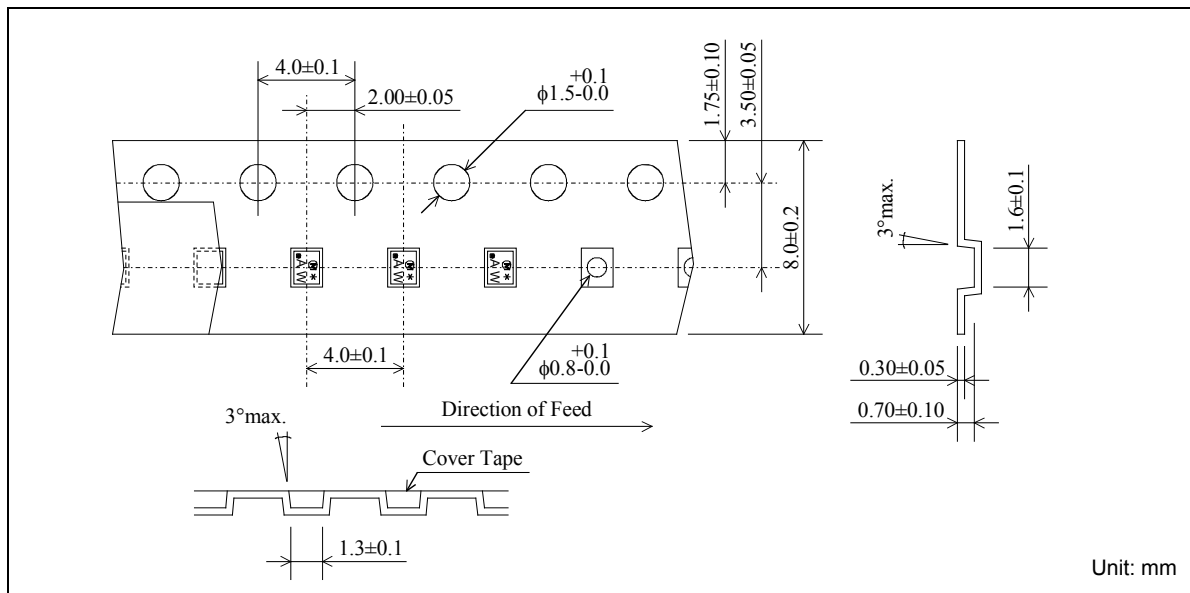
Frequency Performance



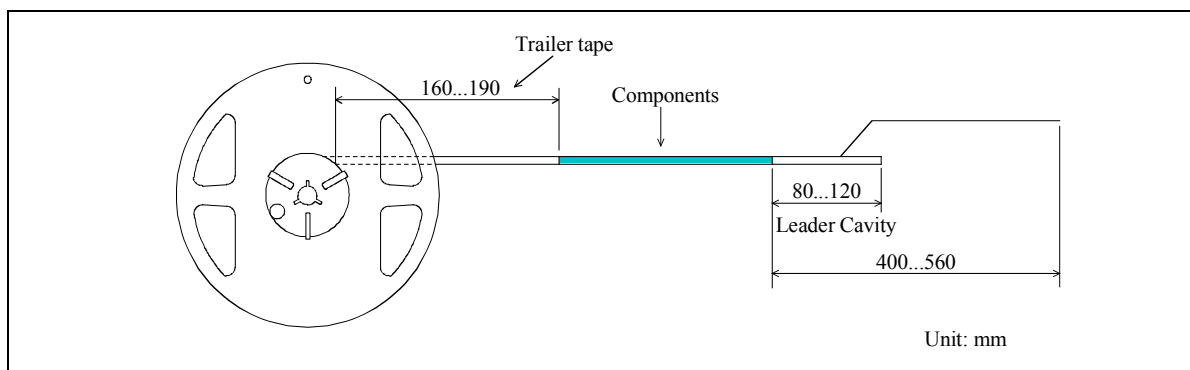
SAW FILTER FOR GSM850 (Rx)

Murata part number : SAFEA881MFL0F00

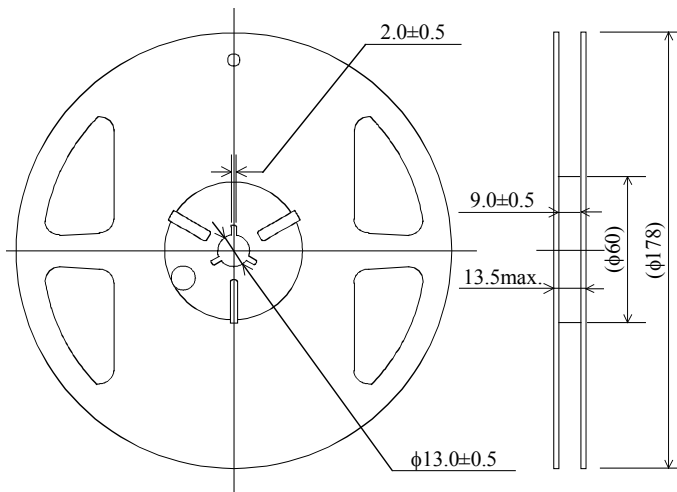
Dimensions of Carrier Tape



Dimensions of Tape



Dimensions of Reel

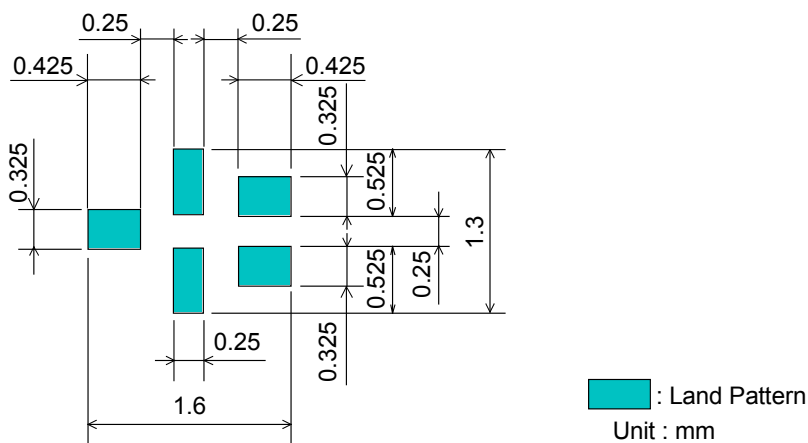


SAFEA881MFL0F00R14 ... 4000pcs/reel

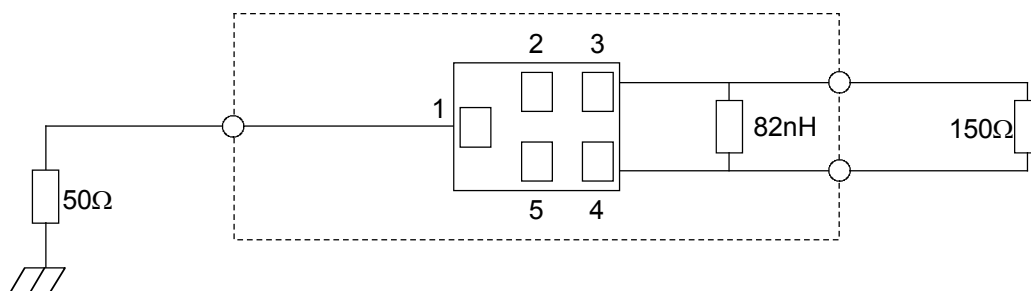
SAW FILTER FOR GSM850 (Rx)

Murata part number : SAFEA881MFL0F00

Recommended Land Pattern



Test Circuit



- This PDF Datasheet is downloaded from the website of Murata Manufacturing Co., Ltd. Therefore, it's specifications are subject to change or our products in it may be discontinued without advance notice. Please check with our sales representatives or product engineers before ordering.
- This PDF Datasheet has only typical specifications because there is no space for detailed specifications. Therefore, please approve our product specifications or transact the approval sheet for product specifications before ordering.