



Reverse Polarity SMA Female to  
Reverse Polarity TNC Male Adapter

TECHNICAL DATA SHEET

PE9607

**Reverse Polarity SMA Female to Reverse Polarity TNC Male Adapter**

**Configuration**

Connector 1	SMA Female Reverse Polarity
Impedance 1	50 Ohms
Connector Specification 1	MIL-C-39012
Connector 2	TNC Male Reverse Polarity
Impedance 2	50 Ohms
Connector Specification 2	MIL-C-39012
Adapter Design	Standard
Body Style	Straight

**Mechanical Specifications**

**Temperature**

Operating Range, deg C	-65 to +165
------------------------	-------------

**Size**

Length, in [mm]	1.05 [26.67]
Width/Dia., in [mm]	0.59 [14.99]

**Connector 1**

Type	SMA Female Reverse Polarity
Inner Conductor Material and Plating	Gold
Inner Conductor Plating Specification	MIL-G-45204
Body Material and Plating	Brass, Nickel
Dielectric Type	Teflon

**Connector 2**

Type	TNC Male Reverse Polarity
Inner Conductor Material and Plating	Gold
Inner Conductor Plating Specification	MIL-G-45204
Coupling Nut Material and Plating	Brass, Nickel
Body Material and Plating	Brass, Nickel
Dielectric Type	Teflon

**Compliance Certifications** (visit [www.Pasternack.com](http://www.Pasternack.com) for current document)

RoHS Compliant	Yes
----------------	-----

**Plotted and Other Data**

Notes:	Values at 25 °C, sea level
--------	----------------------------

URL: <http://www.pasternack.com/sma-female-tnc-male-straight-adapter-pe9607-p.aspx>

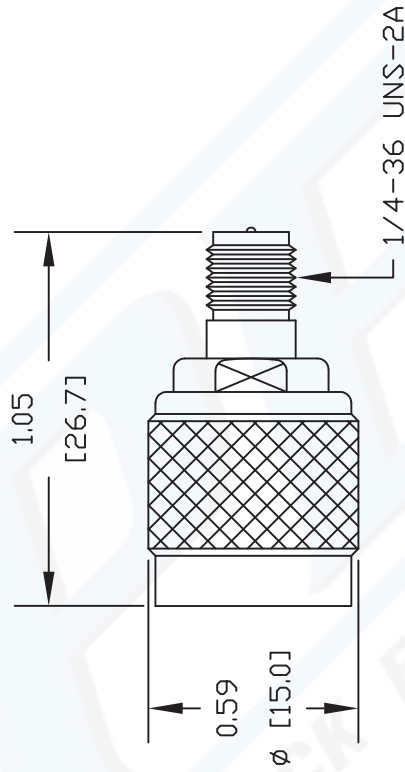
Reverse Polarity SMA Female to Reverse Polarity TNC Male Adapter from Pasternack Enterprises has same day shipment for domestic and International orders. Our RF, microwave and fiber optic products maintain a 99% availability and are part of the broadest selection in the industry.

The information contained in this document is accurate to the best of our knowledge and representative of the part described herein. It may be necessary to make modifications to the part and/or the documentation of the part, in order to implement improvements. Pasternack reserves the right to make such changes as required. Unless otherwise stated, all specifications are nominal.



# PE9607 CAD Drawing

Reverse Polarity SMA Female to Reverse Polarity TNC Male Adapter



DWG TITLE

**PE9607**

NOTES:  
1. UNLESS OTHERWISE SPECIFIED ALL DIMENSIONS ARE NOMINAL.  
2. ALL SPECIFICATIONS ARE SUBJECT TO CHANGE WITHOUT NOTICE AT ANY TIME.  
3. DIMENSIONS ARE IN INCHES [mm].

**PASTERNAK ENTERPRISES, INC.**  
PO BOX 16759, IRVINE, CA 92623  
PHONE (949) 261-1920 FAX (949) 261-7451  
WEB ADDRESS: [www.pasternack.com](http://www.pasternack.com)  
E-MAIL ADDRESS: [sales@pasternack.com](mailto:sales@pasternack.com)  
**COAXIAL & FIBER OPTICS**



FSCM NO. 53919

CAD FILE 100302

SCALE N/A

SIZE A

127

REV. -