
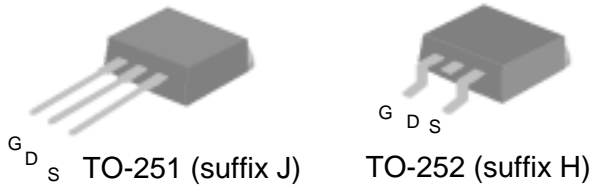


# N-channel Insulated-Gate Bipolar Transistor

## PRODUCT SUMMARY

$V_{CES}$	450V
$V_{CE(sat)}$	5V typ.
$I_{CP}$	130A

 **Pb-free; RoHS-compliant TO-251 (IPAK) and TO-252 (DPAK)**



## DESCRIPTION

The SSM20G45E achieves fast switching performance with low gate charge without a complex drive circuit. It is suitable for use in short-duration, high-current strobe applications, such as still-camera flash.

The SSM20G45EGH is in a TO-252 package, which is widely used for commercial and industrial surface-mount applications.

The through-hole version, the SSM20G45EGJ in TO-251, is available for vertical mounting, where a small footprint is required on the board, and/or an external heatsink is to be attached.

These devices are manufactured with an advanced process, providing improved on-resistance and switching performance.

The gate has internal ESD protection.

## ABSOLUTE MAXIMUM RATINGS

Symbol	Parameter	Value	Units
$V_{CES}$	Collector-emitter voltage	450	V
$V_{GE}$	Gate-emitter voltage	$\pm 6$	V
$V_{GEP}$	Pulsed gate-emitter voltage	$\pm 8$	V
$I_{CP}$	Pulsed collector current <sup>1</sup>	130	A
$P_D$	Total power dissipation, $T_C = 25^\circ\text{C}$	20	W
$T_{STG}$	Storage temperature range	-55 to 150	$^\circ\text{C}$
$T_J$	Operating junction temperature range	-55 to 150	$^\circ\text{C}$

## THERMAL CHARACTERISTICS

Symbol	Parameter	Value	Units
$R_{\theta JC}$	Maximum thermal resistance, junction-case	6	$^\circ\text{C/W}$

### Notes:

1. Pulse width must be limited to avoid exceeding the safe operating area.
2. Pulse width <300us, duty cycle <2%.

**ELECTRICAL CHARACTERISTICS**  $T_j = 25^\circ\text{C}$  (unless otherwise specified)

Symbol	Parameter	Test Conditions	Min.	Typ.	Max.	Units
$I_{GES}$	Gate-emitter leakage current	$V_{GE}=6\text{V}, V_{CE}=0\text{V}$	-	-	10	$\mu\text{A}$
$I_{CES}$	Collector-emitter leakage current	$V_{CE}=450\text{V}, V_{GE}=0\text{V}$	-	-	10	$\mu\text{A}$
$V_{CE(sate)}$	Collector-emitter saturation voltage	$V_{GE}=4.5\text{V}, I_{CP}=130\text{A}$ (Pulsed)	-	5	8	V
$V_{GE(th)}$	Gate threshold voltage	$V_{CE}=V_{GE}, I_C=250\mu\text{A}$	-	-	1.2	V
$Q_g$	Total gate charge	$I_C=40\text{A}$	-	51	-	nC
$Q_{ge}$	Gate-emitter charge	$V_{CE}=300\text{V}$	-	2	-	nC
$Q_{gc}$	Gate-collector charge	$V_{GE}=5\text{V}$	-	5.4	-	nC
$t_{d(on)}$	Turn-on delay time	$V_{CC}=200\text{V}$	-	5.5	-	ns
$t_r$	Rise time	$I_C=40\text{A}$	-	72	-	ns
$t_{d(off)}$	Turn-off delay time	$R_G=25\Omega$	-	640	-	ns
$t_f$	Fall time	$V_{GE}=5\text{V}$	-	2.6	-	us
$C_{ies}$	Input capacitance	$V_{GE}=0\text{V}$	-	2095	-	pF
$C_{oes}$	Output capacitance	$V_{CE}=25\text{V}$	-	145	-	pF
$C_{res}$	Reverse transfer capacitance	$f=1.0\text{MHz}$	-	35	-	pF

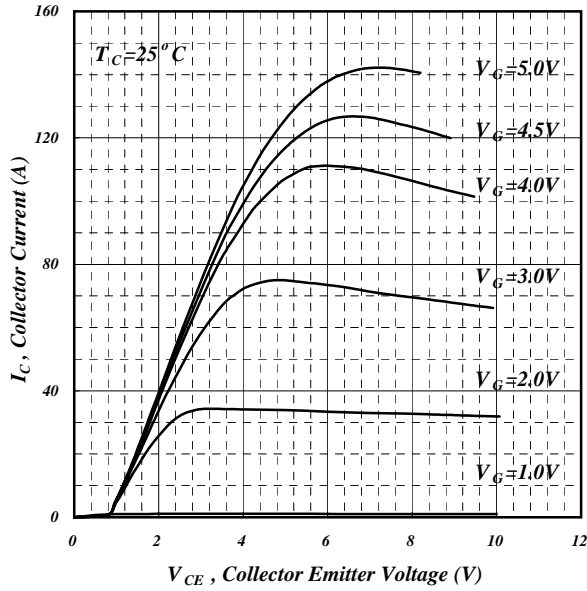


Fig 1. Typical Output Characteristics

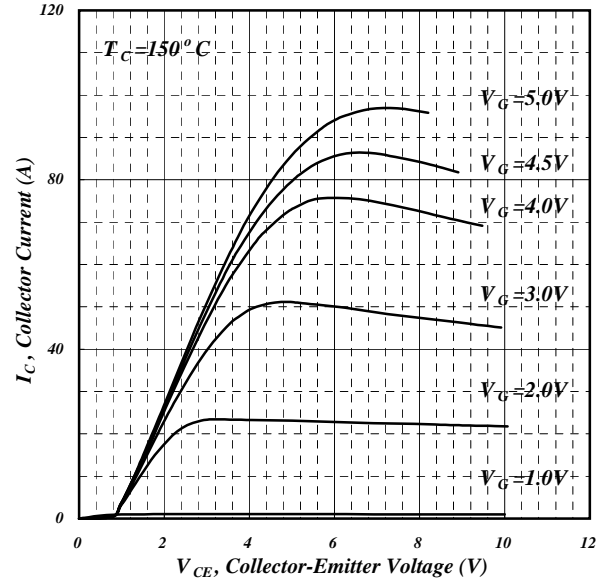


Fig 2. Typical Output Characteristics

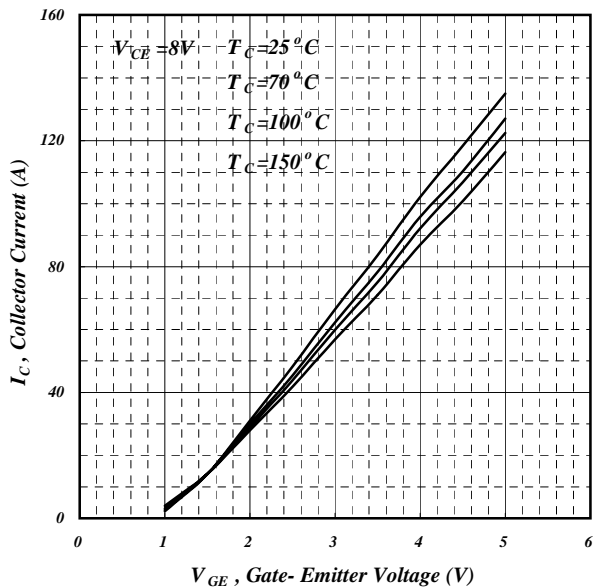


Fig 3. Collector Current vs. Gate-Emitter Voltage

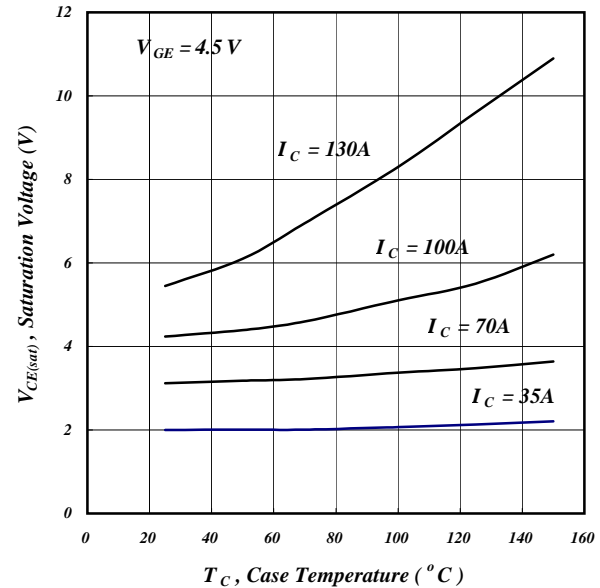


Fig 4. Collector-Emitter Saturation Voltage vs. Case Temperature

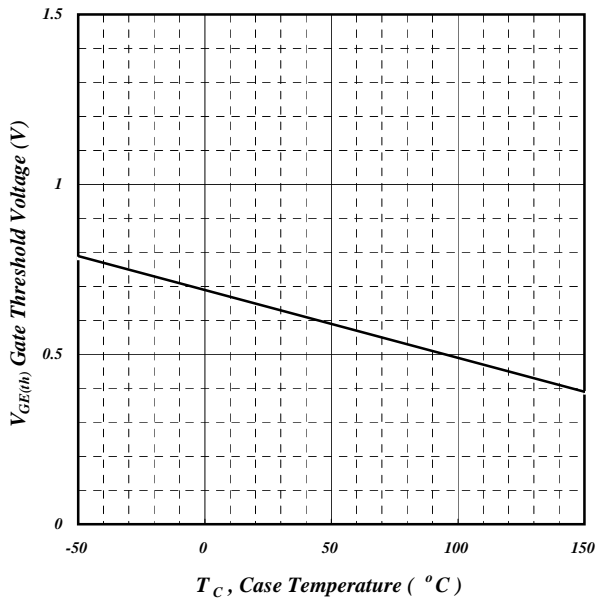


Fig 5. Gate-Emmitter Cut-Off Voltage vs. Case Temperature

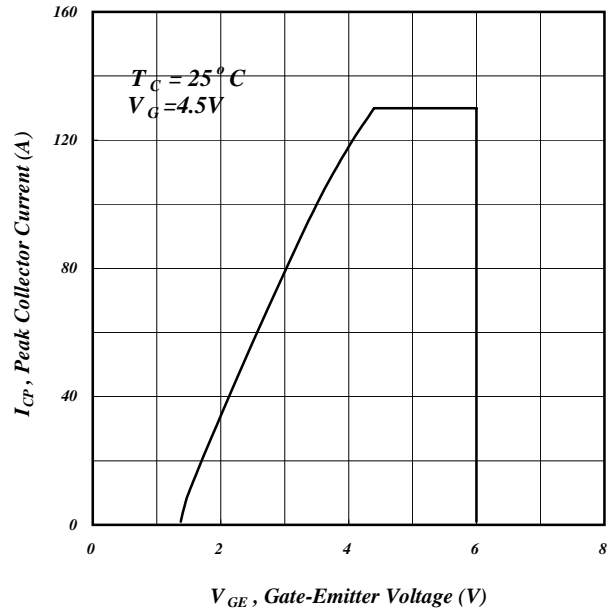


Fig 6. Safe Operating Area

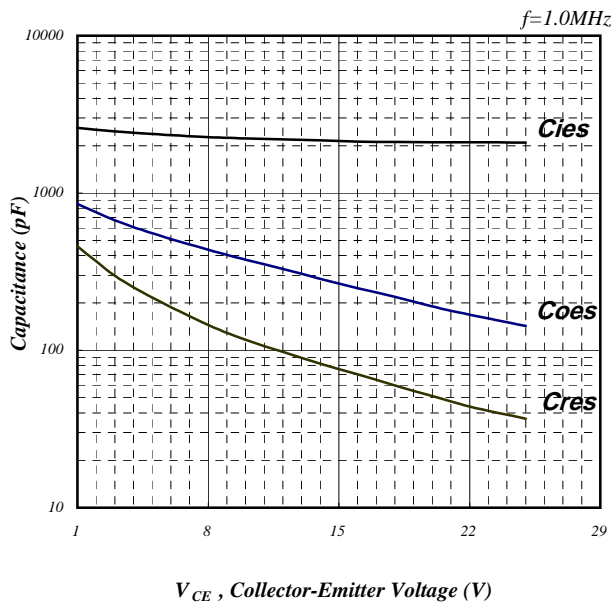


Fig 7. Collector vs. Collector-Emmitter Voltage

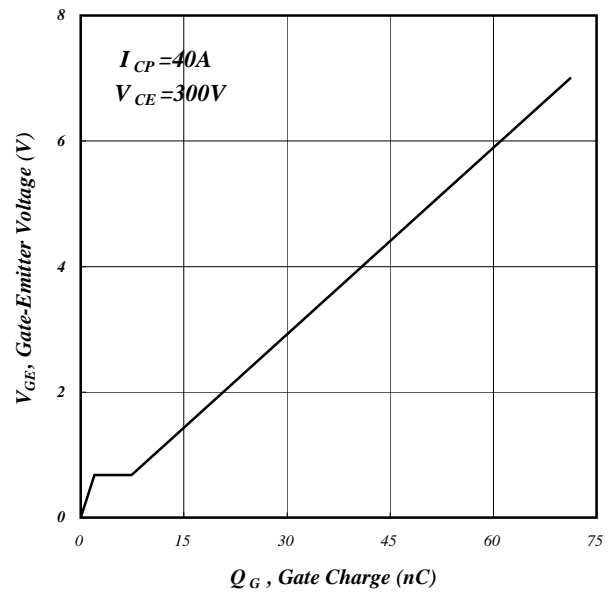


Fig 8. Gate Charge Waveform

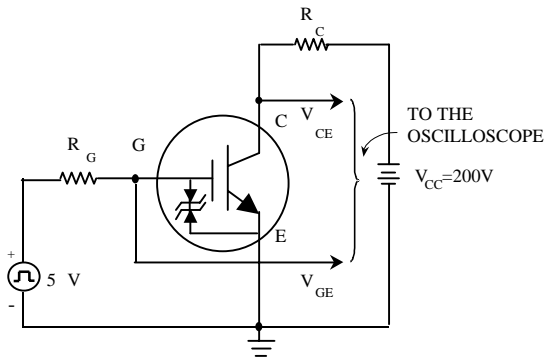


Fig 9. Switching Time Test Circuit

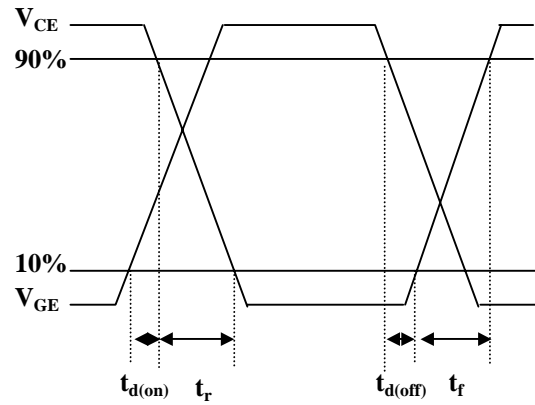


Fig 10. Switching Time Waveform

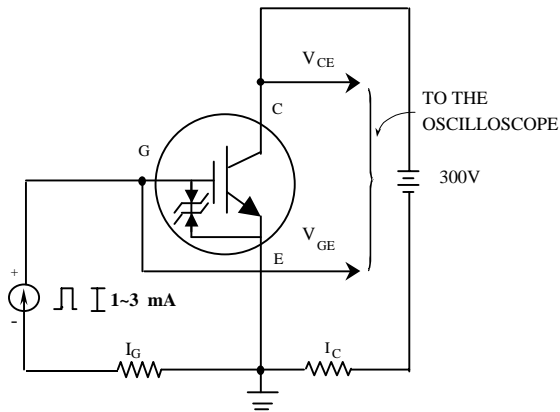


Fig 11. Gate Charge Test Circuit

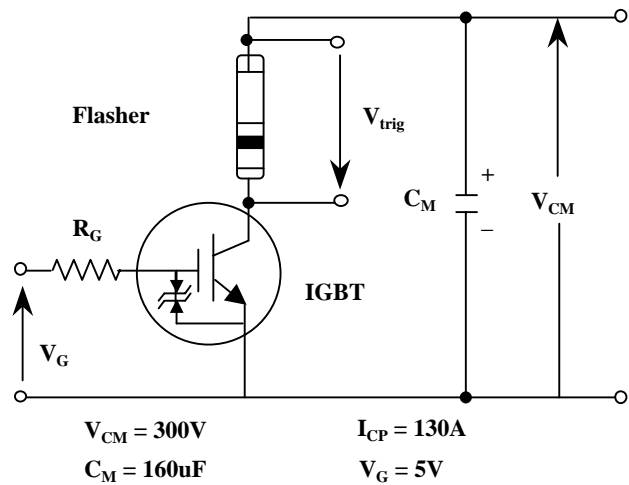
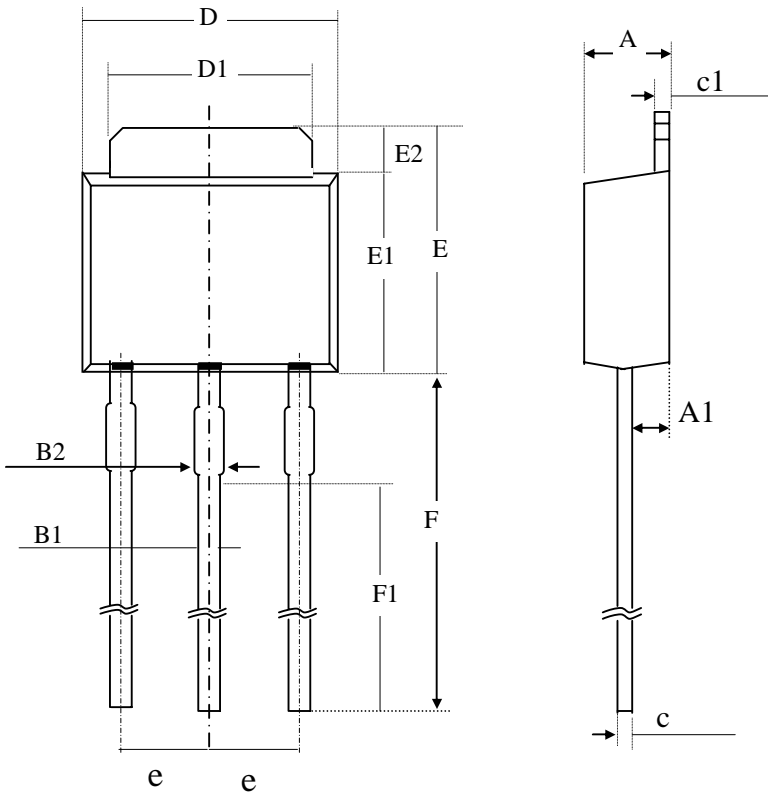


Fig 12. Application Test Circuit

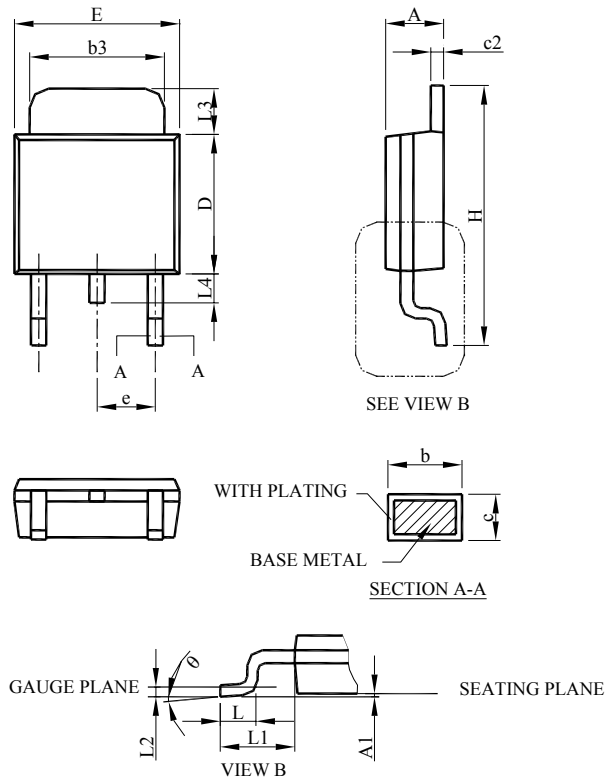
## PHYSICAL DIMENSIONS: TO-251 (I-PAK)



SYMBOLS	Millimeters		
	MIN	NOM	MAX
A	2.20	2.30	2.40
A1	0.90	1.20	1.50
B1	0.50	0.60	0.70
B2	0.60	0.72	0.90
c	0.45	0.50	0.60
c1	0.45	0.50	0.55
D	6.40	6.60	6.80
D1	5.20	5.35	5.50
E	6.80	7.00	7.20
E1	5.40	5.60	5.80
E2	1.40	1.50	1.60
e	--	2.30	--
F	7.20	7.50	7.80
F1	1.50	1.60	1.80

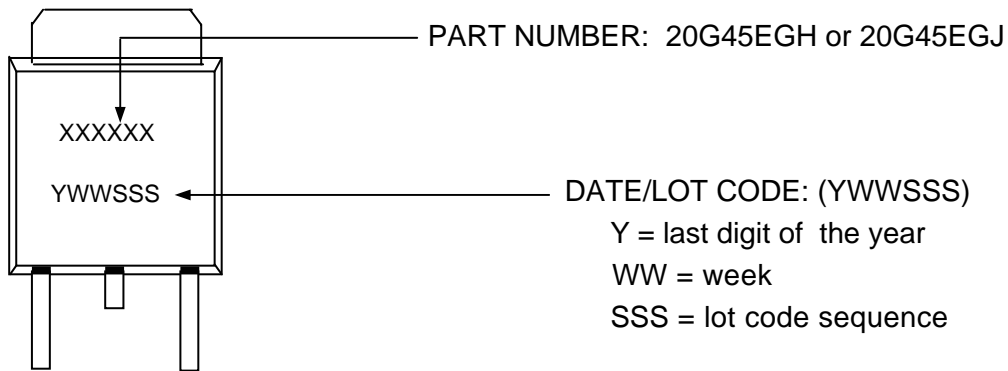
- 1.All dimensions are in millimeters.
- 2.Dimensions do not include mold protrusions.

## PHYSICAL DIMENSIONS: TO-252 (D-PAK)



SYMBOL	TO-252-3L	
	MILLIMETERS	
	MIN.	MAX.
A	1.80	2.80
A1	0.00	0.13
b	0.40	1.00
b3	4.80	5.90
c	0.35	0.65
c2	0.40	0.89
D	5.10	6.30
E	6.00	7.00
e	2.30 BSC	
H	7.80	11.05
L	1.00	2.55
L1	2.20	3.05
L2	0.35	0.65
L3	0.50	2.03
L4	0.50	1.20
θ	0°	8°

## PART MARKING



## PACKING: Moisture sensitivity level MSL3

TO-252: 3000 pcs in antistatic tape on a reel packed inside a moisture barrier bag (MBB).

TO-251: 1000pcs in tubes packed inside a moisture barrier bag (MBB).

Information furnished by Silicon Standard Corporation is believed to be accurate and reliable. However, Silicon Standard Corporation makes no guarantee or warranty, express or implied, as to the reliability, accuracy, timeliness or completeness of such information and assumes no responsibility for its use, or for infringement of any patent or other intellectual property rights of third parties that may result from its use. Silicon Standard reserves the right to make changes as it deems necessary to any products described herein for any reason, including without limitation enhancement in reliability, functionality or design. No license is granted, whether expressly or by implication, in relation to the use of any products described herein or to the use of any information provided herein, under any patent or other intellectual property rights of Silicon Standard Corporation or any third parties.