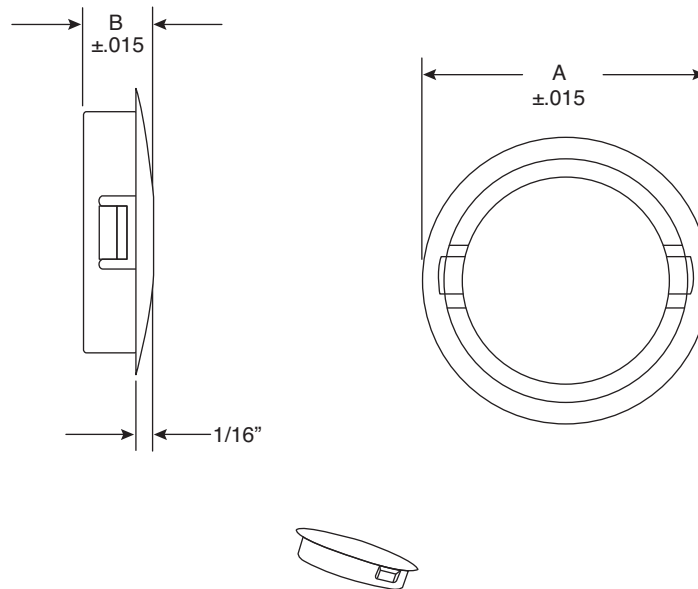


# Female Circuit Board Posts - Self Threading

561-MPS187, 561-MPS375, 561-MPS312, 561-MPS500, 561-MPS625, 561-MPS750, 561-MPS875

Date Last Revised: 5-27-09

## Mini Locking Hole Plugs



NOTE: Miniature Locking Hole Plugs accommodate panels up to 1/16" thickness and require only 1/8" clearance.

## RoHS Compliant

### Specifications

Item Number	Description	Hole Dia.	A	B
561-MPS187	3/16" Mini Locking Hole Plug	0.187	.250(+/- .015)	.234(+/- .015)
561-MPS375	3/8" Mini Locking Hole Plug	0.375	.468(+/- .015)	.250(+/- .015)
561-MPS312	5/16" Mini Locking Hole Plug	0.312	.375(+/- .015)	.234(+/- .015)
561-MPS500	1/2" Mini Locking Hole Plug	0.500	.578(+/- .015)	.250(+/- .015)
561-MPS625	5/8" Mini Locking Hole Plug	0.625	.718(+/- .015)	.250(+/- .015)
561-MPS750	3/4" Mini Locking Hole Plug	0.750	.922(+/- .015)	.250(+/- .015)
561-MPS875	7/8" Mini Locking Hole Plug	0.875	1.016(+/- .015)	.250(+/- .015)

### Description

- Material - molded of heat stabilized nylon (UL 94V2 Black). Available in white.

Available from Mouser Electronics  
1-800-346-6873 / www.mouser.com

EPD-200796

# Mouser Electronics

Authorized Distributor

Click to View Pricing, Inventory, Delivery & Lifecycle Information:

[Eagle Plastic Devices:](#)

[561-MPS625](#) [561-MPS312](#) [561-MPS375](#) [561-MPS500](#) [561-MPS187](#) [561-MPS875](#) [561-MPS750](#)