

**40**mm sq.

# San Ace 40L

28mm thick



## General Specifications

- Material ..... Frame: Aluminum, Impeller: Plastics (Flammability: UL94V-0)
- Expected Life ..... Refer to specifications (L10:Survival rate: 90% at 60°C , rated voltage, and continuously run in a free air state)
- Lead Wire ..... ⊕red ⊖black (Sensor) yellow
- Storage Temperature ..... -30°C to +70°C (Non-condensing)

**40×40×28mm** (Mass : 55g)

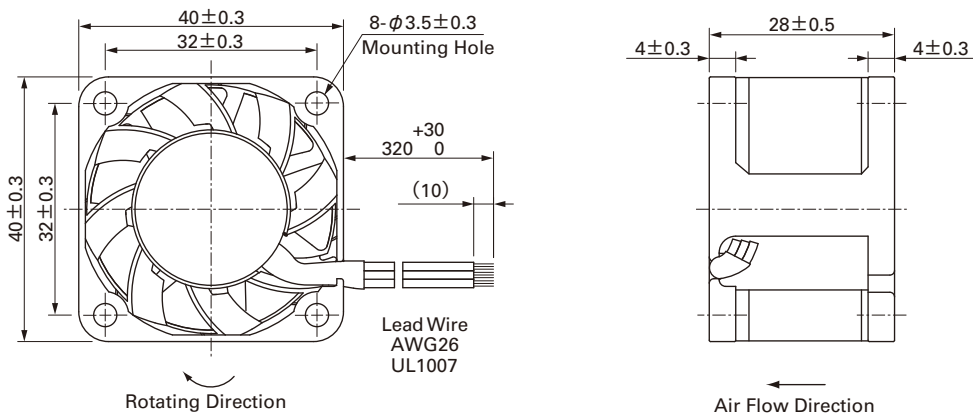
## Specifications

The following nos. **have pulse sensors.**

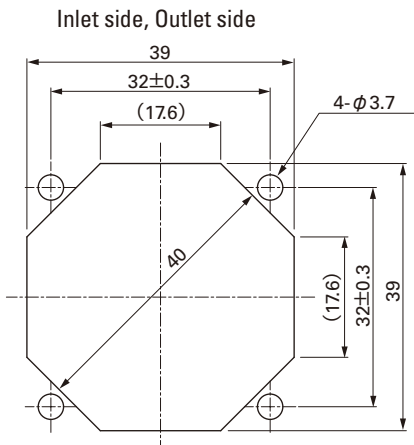
Model No.	Rated Voltage [V]	Operating Voltage Range [V]	Rated Current [A]	Rated Input [W]	Rated Speed [min <sup>-1</sup> ]	Max. Air Flow [m <sup>3</sup> /min] [CFM]	Max. Static Pressure [Pa] [inchH <sub>2</sub> O]	SPL [dB(A)]	Operating Temperature [°C]	Expected Life [h]
9L0412J301	12	10.2 to 13.8	0.31	3.72	11,700	0.52 18.4	206 0.827	48	-20 to +70	100,000
9L0412H301			0.15	1.80	8,400	0.37 13.1	106 0.426	40		
9L0412M301			0.045	0.54	4,000	0.16 5.65	24 0.096	19		

- Available options: ⇒ **Without Sensor**
- Please inquire as the availability of these functions depend on the model. ⇒ **Lock Sensor**

## Dimensions (Unit : mm)



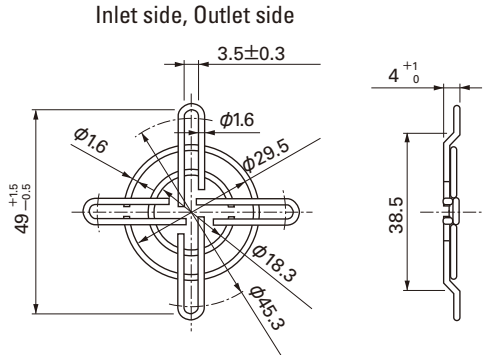
## Reference dimension of mounting holes and vent opening (Unit : mm)



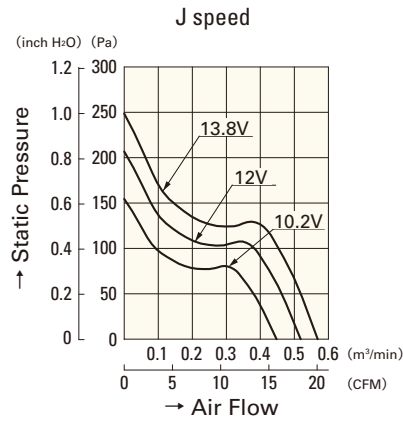
**Options (Unit : mm)**

**Finger guards**

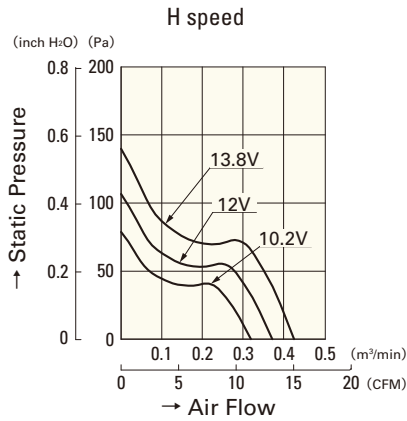
Model : 109-059      Surface treatment : Nickel-chrome plating (silver)      Color



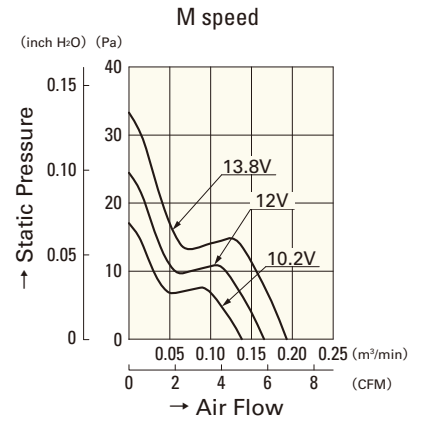
**Air Flow - Static Pressure Characteristics**



**9L0412J301**



**9L0412H301**



**9L0412M301**

Long Life Fan 40mm