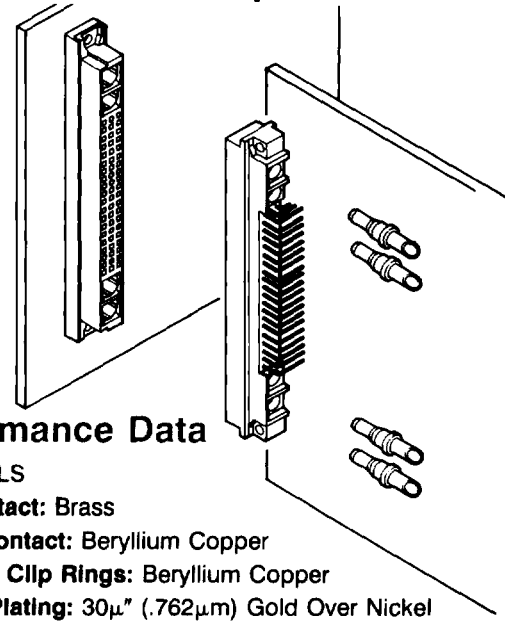
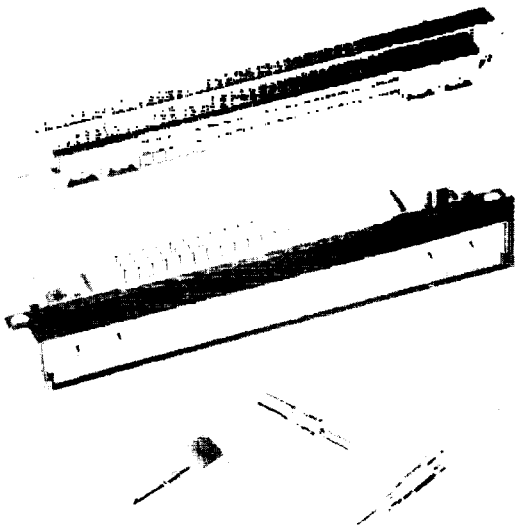


# D68 HI-CON™ Eurocard DIN Connectors

## Mixed DIN Type M Series 105-5, 10, 20 and 40 Amp Contacts



### Performance Data

#### MATERIALS

- Plug Contact:** Brass
- Socket Contact:** Beryllium Copper
- Retaining Clip Rings:** Beryllium Copper
- Contact Plating:** 30μ" (.762μm) Gold Over Nickel

#### MECHANICAL

- Insertion Force:** 1.6 lb. (7N) Maximum
- Withdrawal Force:** 1.24 lb. (5.5N)
- Mating Cycles:** 500 Minimum

#### ELECTRICAL

- Current Rating:** 40 Amps Maximum\*
- Contact Resistance:** 1.5 Milliohms Maximum

#### TEMPERATURE

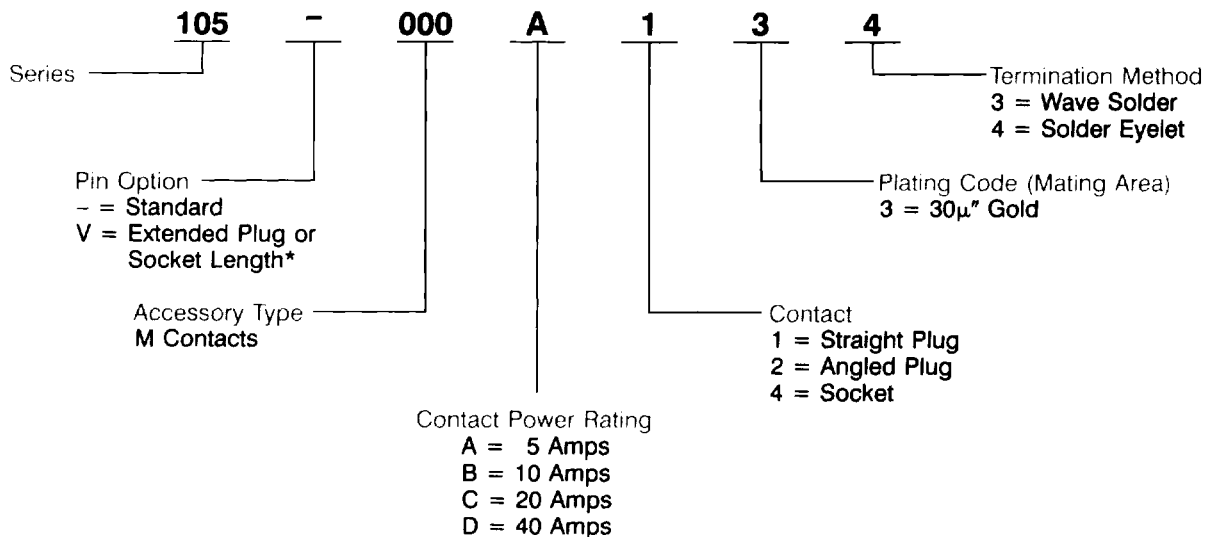
- Range:** -67°F to +257°F (-55°C to +125°C)\*

\*For detail information see pages D6-D8

The high power contacts can be selectively loaded within any conforming type M DIN connector. The straight hand solder terminations carry a current up to 40 amps. Male contacts are also offered in PC board mounting with a current carrying capacity up to 10 amps.

**D**

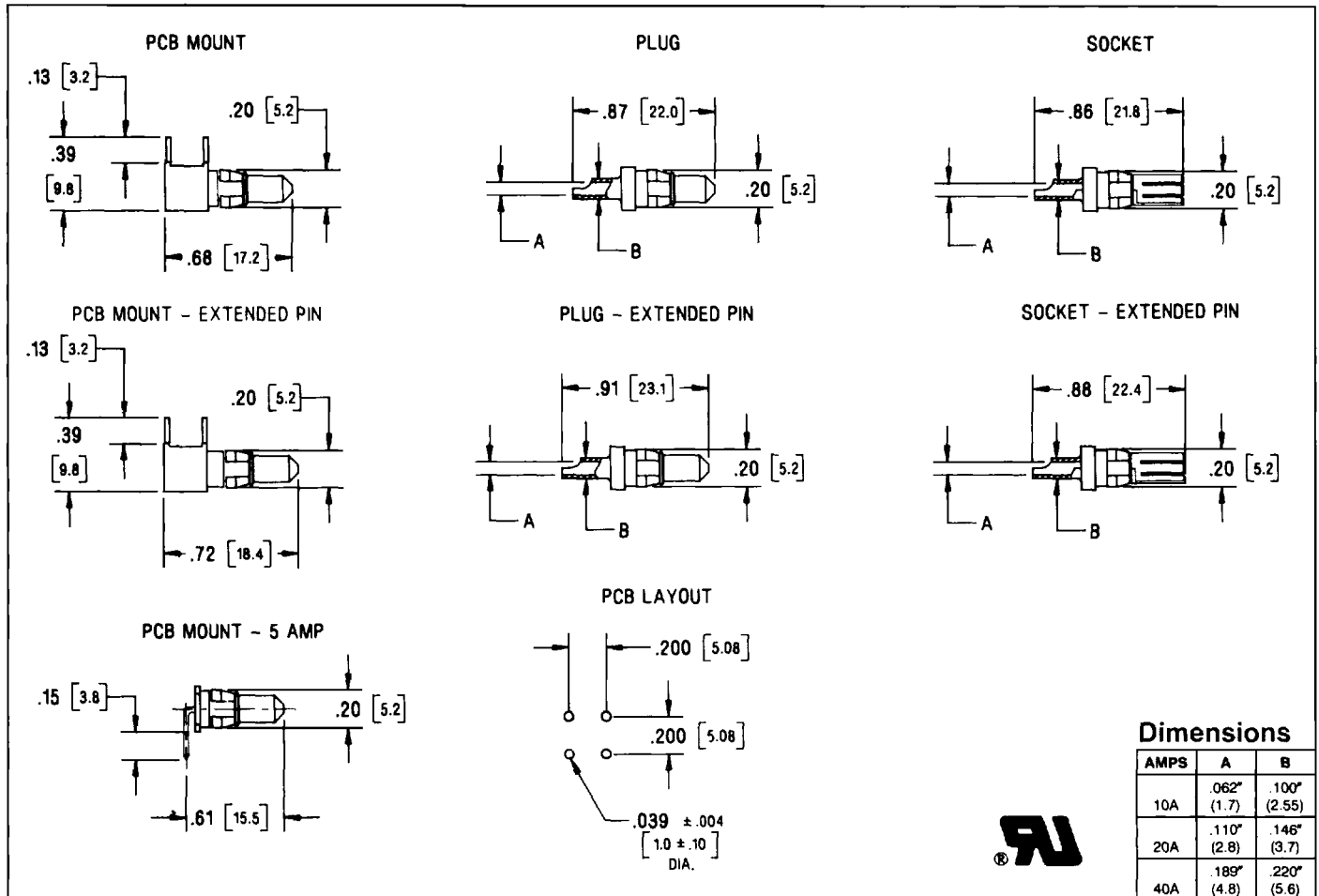
### Part Number System



\*Refer to ordering information

# HI-CON™ Eurocard DIN Connectors D69

## Mixed DIN Type M Series 105-5, 10, 20 and 40 Amp Contacts Dimension Drawing



**D**

### Ordering Information

Amps	Termination Method						
	Solder Cup				PCB Mount		
	Plug	Socket	Ext. Plug	Ext. Socket	Angle Plug		
5	—	—	—	—	105V000A233	—	—
10	<b>105-000B134</b>	<b>105-000B434</b>	105V000B134	105V000B434	—	<b>105-000B233</b>	105V000B233
20	105-000C134	105-000C434	105V000C134	105V000C434	—	—	—
40	105-000D134	105-000D434	105V000D134	105V000D434	—	—	—

NOTE: Emphasized part numbers represent the most popular in this series.