

# FBT COUPLER

*Single Window Wideband Coupler - Compact & Ultra-high performance*

## Specifications:

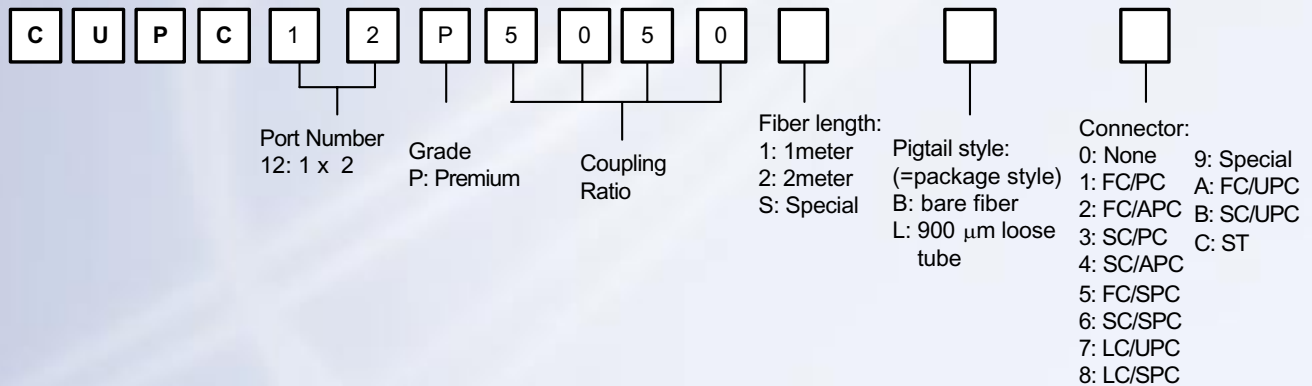
### Parameter

Operating Wavelength	1310 or 1550 ± 40nm
Insertion Loss (Max)	3.4 dB
Uniformity	0.3dB
PDL	0.02 dB
Return Loss	≥ 55 dB
Operating & Storage Temperature	-40°C ~ +85°C
Package Dimension	φ 3.0mm x 35.0 mm

Note1: All values specified are without connectors.

Note2: Fiber Type – Corning SMF-28.

## Order Information:



REVISION  
B



1034 Central Avenue South • Kent, WA 98032  
 Tel 253.814.2862 • Fax 253.813.2861  
[www.lighteltech.com](http://www.lighteltech.com)